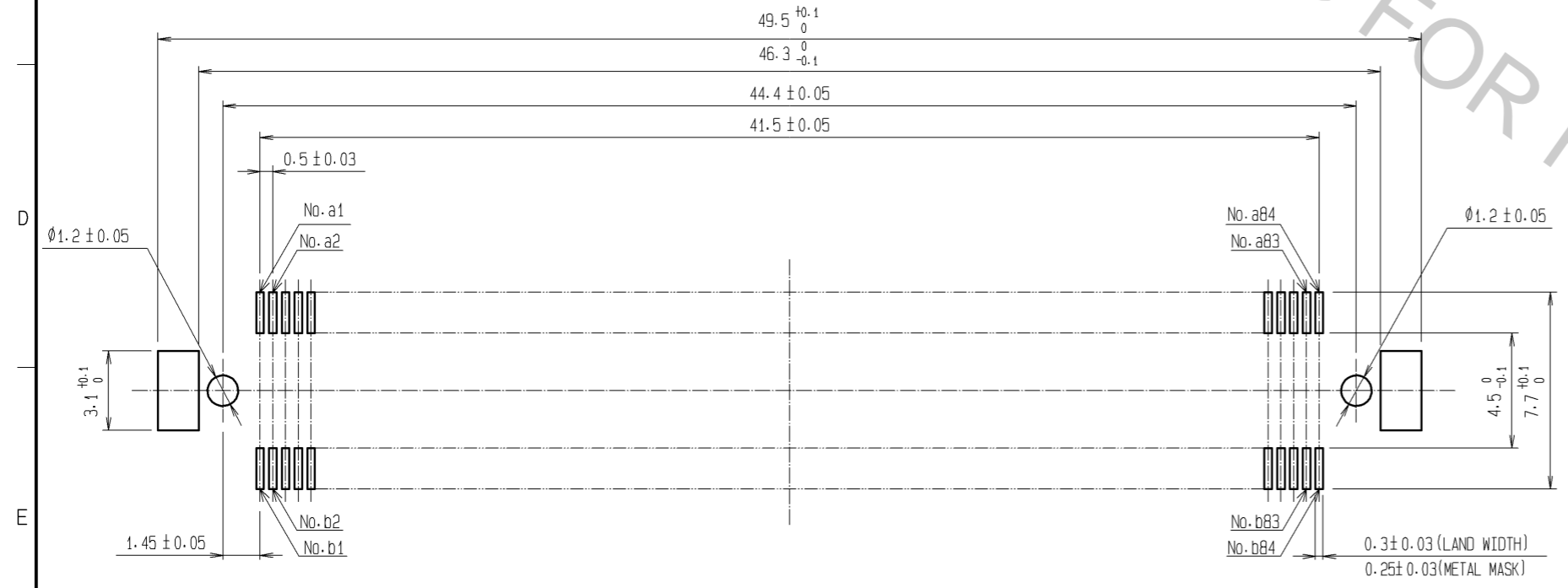


RECOMMENDED LAND PATTERN DIMENSION OF PCB  
(RECOMMENDED METAL MASK THICKNESS: 0.15mm)



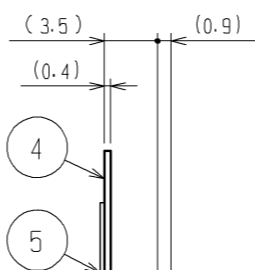
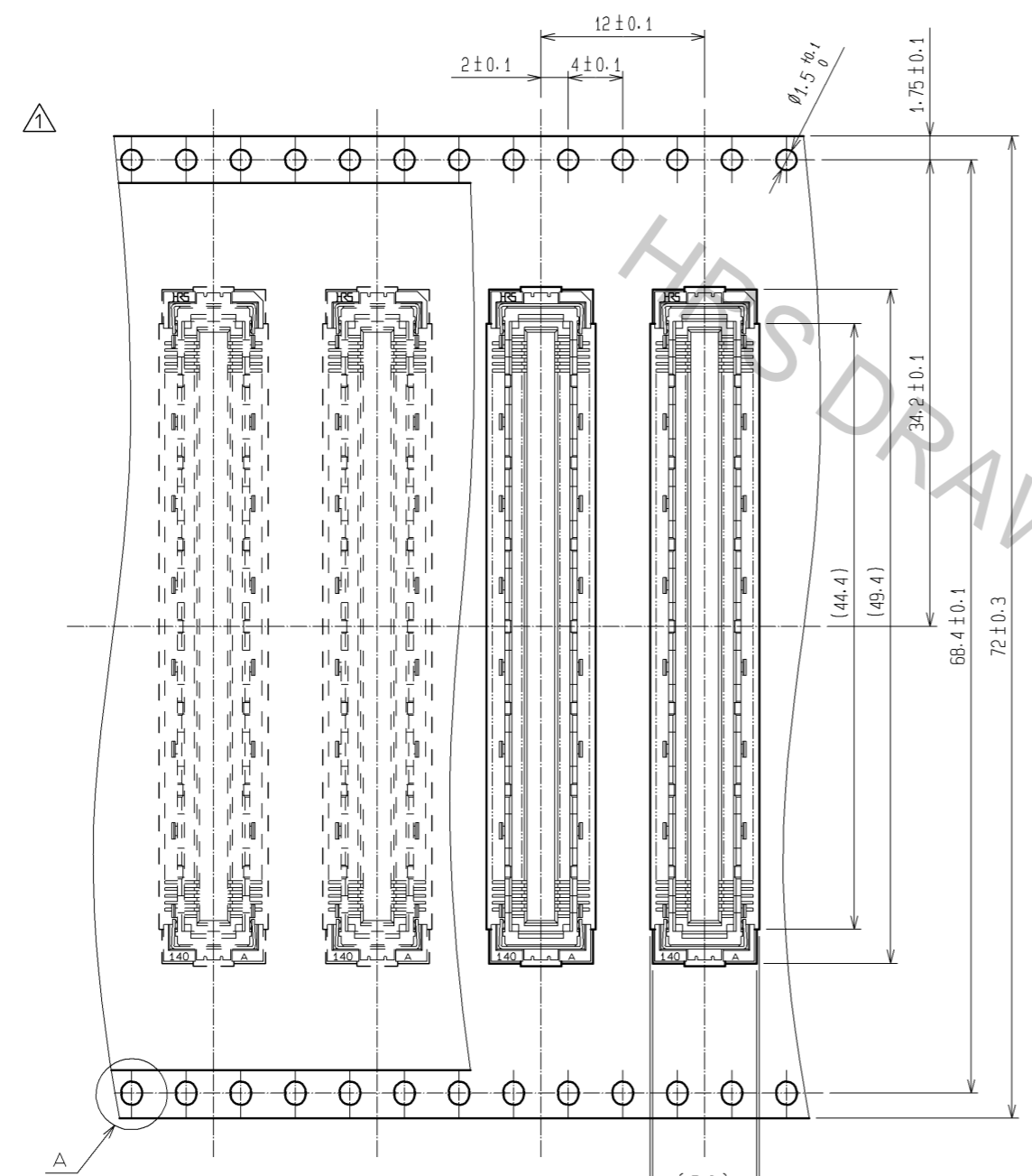
△ STACKING HEIGHT

	FX10A-168S-SV(83)	
	4 > (A)	5 > B
FX10A(B)-168P-SV(**)	4	4.3 ± 0.127
FX10A(B)-168P-SV1(**)	5	5.3 ± 0.127
FX10A(B)-168P-SV2(**)	6	6.0 ± 0.127
FX10A(B)-168P-SV3(**)	7	7.0 ± 0.127
FX10A(B)-168P-SV4(**)	8	8.0 ± 0.127

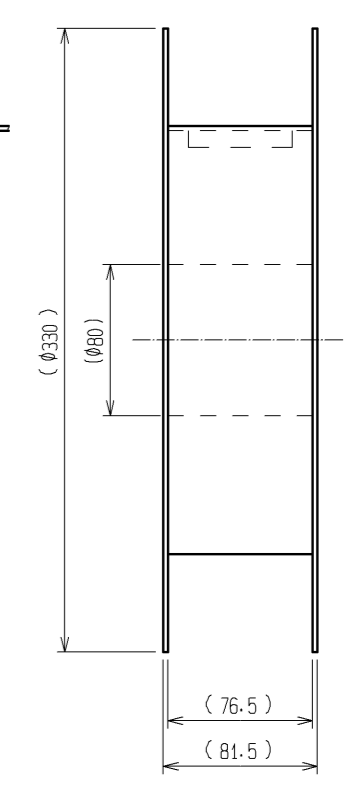
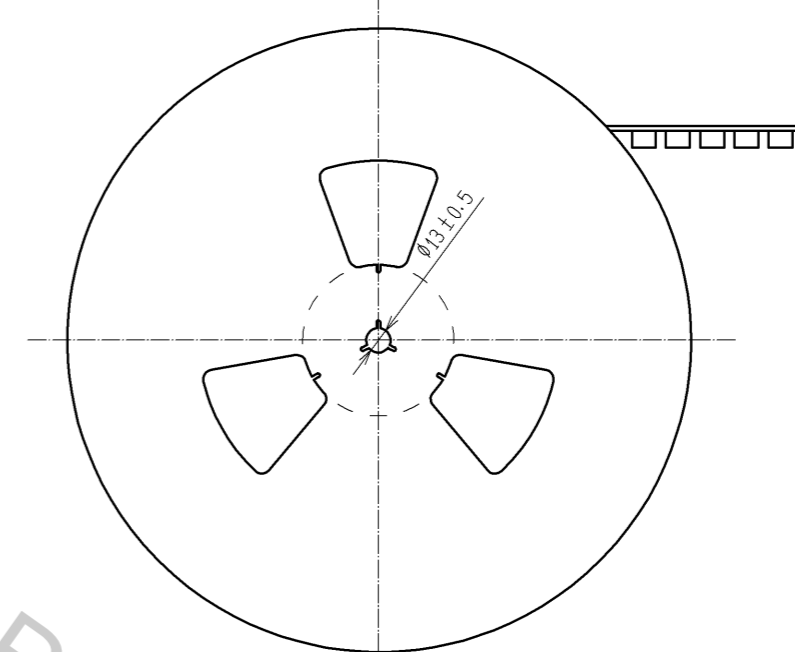
- NOTES
- SMT LEAD-COPLANARITY: 0.1 MAX.
  - THIS PRODUCT HAS NO POLARITY TO PATTERN FOR MOUNTING.
  - THE DIMENSIONS IN PARENTHESES ARE FOR REFERENCE.
  - STACKING HEIGHT FROM LEAD TO LEAD(REFERENCE DIMENSIONS)
  - BOARD DISTANCE
  - AREA IS VACUUM PICKUP AREA FOR REFERENCE.
  - EMBOSS CARRIER TAPE PACKAGE IS APPLIED ON THIS PRODUCT. PLEASE REFER TO THE SHEET 2/2 FOR THE RETAILS.

2	PHOSPHOR BRONZE	CONTACT AREA:GOLD 0.76µm min.	5	PET	TOP COVER TAPE
		LEAD AREA:GOLD 0.03µm min.	4	PS	EMBOSSED CARRIER TAPE
		UNDER PLATING:NICKEL 1.3µm min.	3	PHOSPHOR BRONZE	SURFACE AREA:GOLD 0.03µm min. UNDER PLATING:NICKEL 1.3µm min.
1	LCP	BEIGE UL94V-0			
NO.	MATERIAL	FINISH . REMARKS	NO.	MATERIAL	FINISH . REMARKS
UNITS mm		SCALE 4 : 1	COUNT 3	DESCRIPTION OF REVISIONS DIS-F-006595	
DESIGNED YJ. ASAO		CHECKED HT. YAMAGUCHI		DATE 13.01.10	
APPROVED : HS. OKAWA 10.11.22		DRAWING NO. EDC3-151987-23			
CHECKED : HT. YAMAGUCHI 10.11.22		PART NO. FX10A-168S-SV(83)			
DESIGNED : AH. EDASHIGE 10.11.19		CODE NO. CL570-0244-7-83			
DRAWN : HK. SUNADORI 10.11.19					

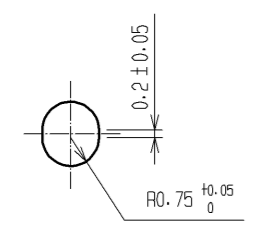
# DRAWING FOR PACKING(2:1)



REELED DIMENSION(FREE)



A (5:1)



- NOTES
- 1 1REEL:1000 CONNECTORS.
  - 2 MINIMUM 10 COMPARTMENTS FROM BOTH REEL ENDS REMAIN EMPTY.
  - 3 THIS PRODUCT HAS NO POLARITY TO TAPE AND REEL PACKAGING.
  - 4 THE DIMENSIONS IN PARENTHESES ARE FOR REFERENCE.

<b>HRS</b>	DRAWING NO.	EDC3-151987-23	2/2
	PART NO.	FX10A-168S-SV(83)	
	CODE NO.	CL570-0244-7-83	