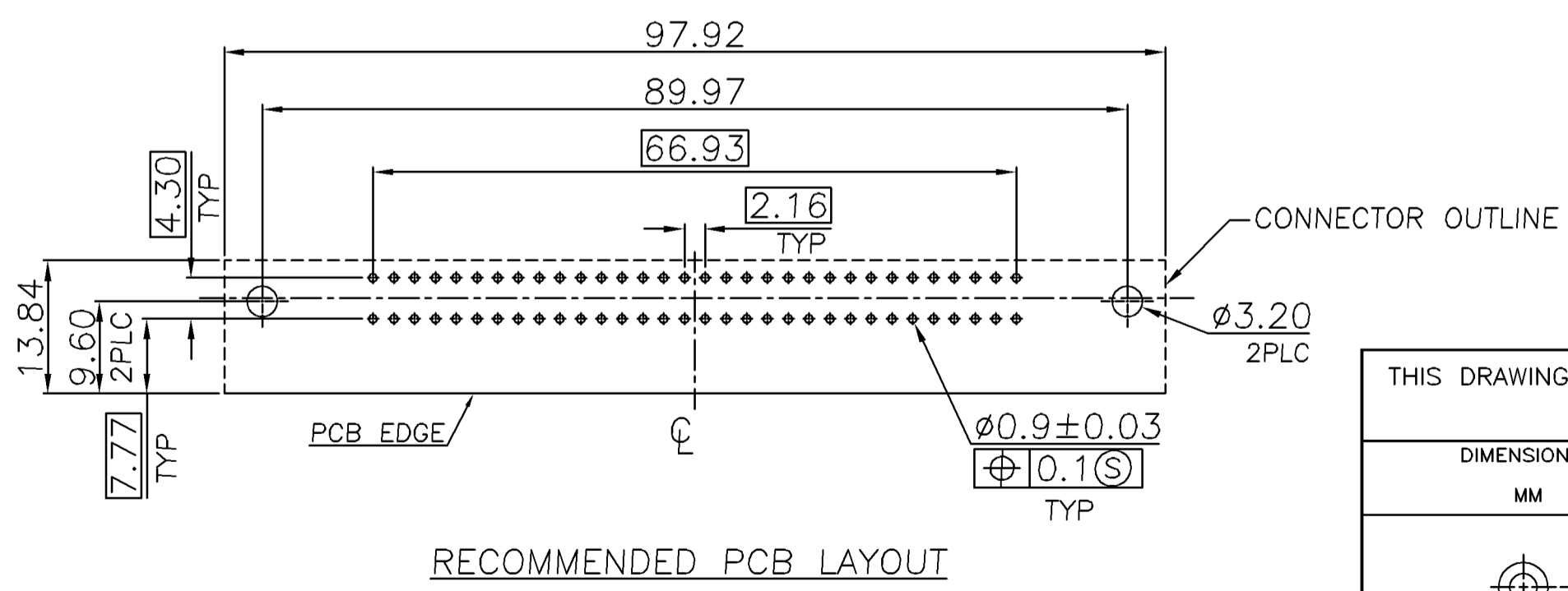
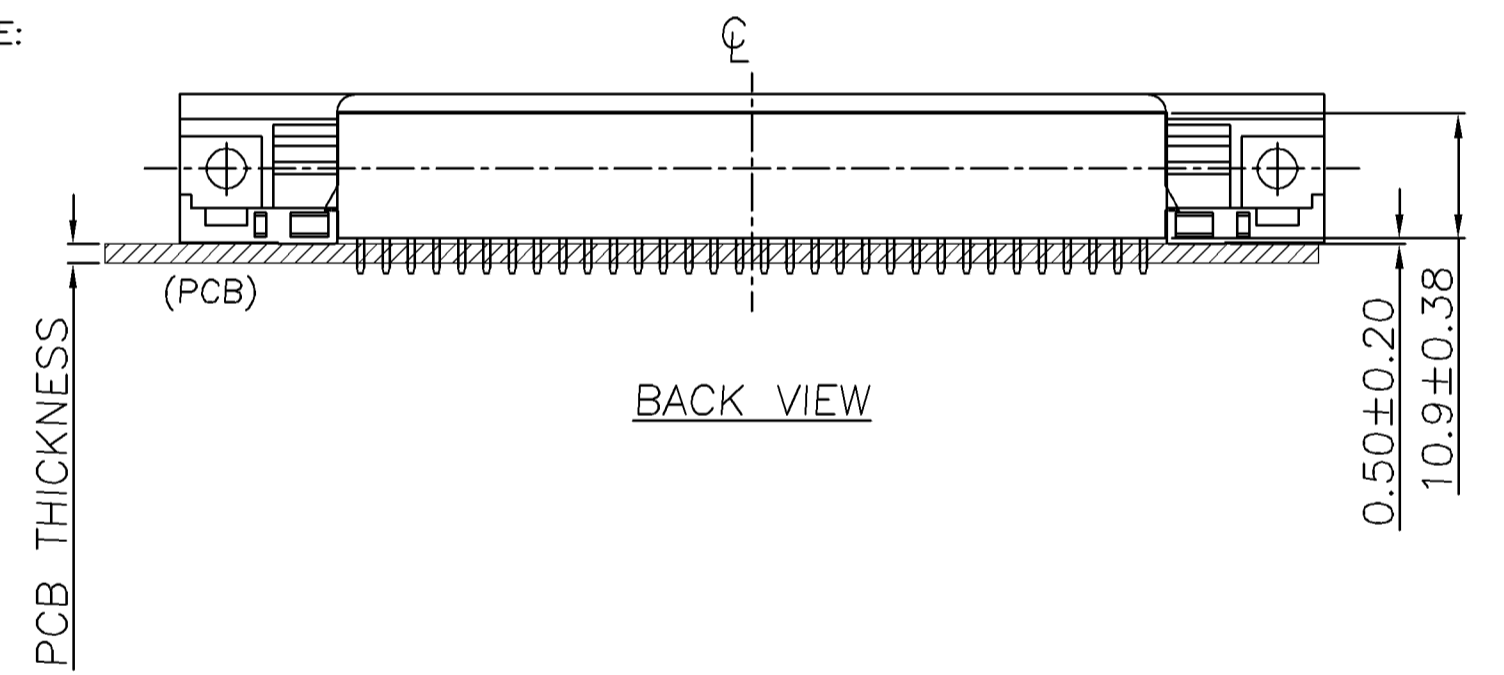
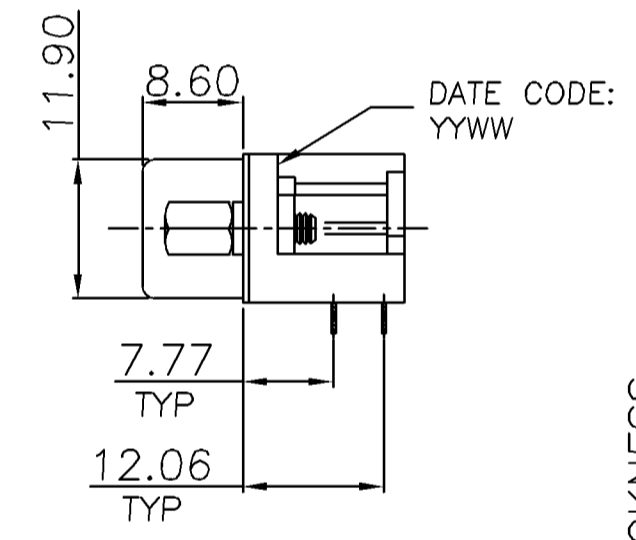
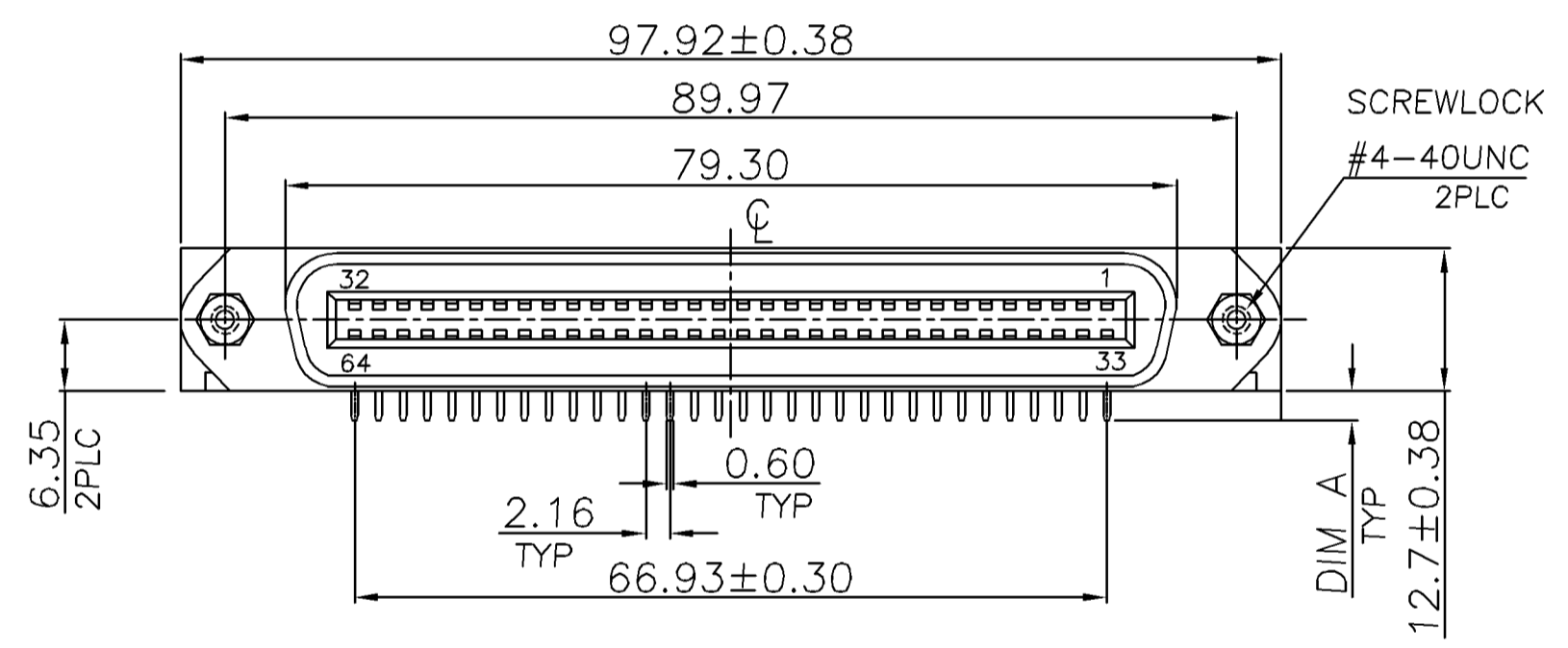
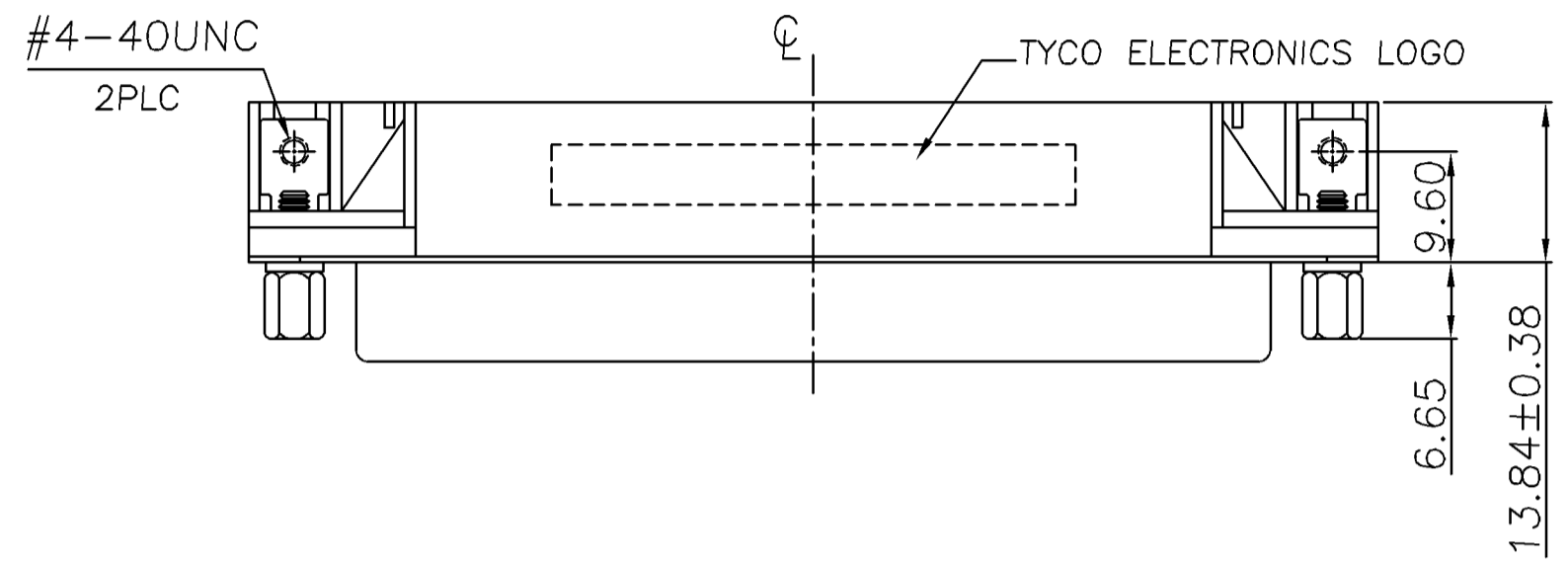


THIS DRAWING IS UNPUBLISHED. RELEASED FOR PUBLICATION  
 © COPYRIGHT - BY TYCO ELECTRONICS CORPORATION. ALL RIGHTS RESERVED.

LOC	DIST	REVISIONS					
		P	LTR	DESCRIPTION	DATE	DWN	APVD
DW	-	01	REVISE	ECR-06-014234	13JUN2006	JL	SH
		A	REVISE	ECR-07-020943	04SEP2007	JL	SH

NOTES:

- MATERIALS  
 HOUSING: THERMOPLASTIC(PBT) WITH GLASS FIBER  
 UL94V-0, BLACK COLOR  
 CONTACT: PHOSPHOR BRONZE  
 SHELL, RIVET AND WASHER: STEEL  
 HEX-SCREWLOCKS: BRASS
- FINISH:  
 CONTACT: 0.381um[15u"] MIN. GOLD PLATING ON CONTACT AREA  
 2.54um[100u"] MIN. MATTE TIN PLATING ON SOLDER TAIL  
 1.27um[50u"] MIN. NICKEL UNDERPLATED ALL OVER  
 SHELL, RIVET, WASHER AND HEX-SCREWLOCKS:  
 2.032[80u"] MIN. NICKEL PLATING
- WAVE SOLDER CAPABLE TO 265°C  
 PER TE SPEC. 109-202, CONDITION B.
- SCREWLOCKS MUST WITHSTAND 6 IN-LBS TORQUE

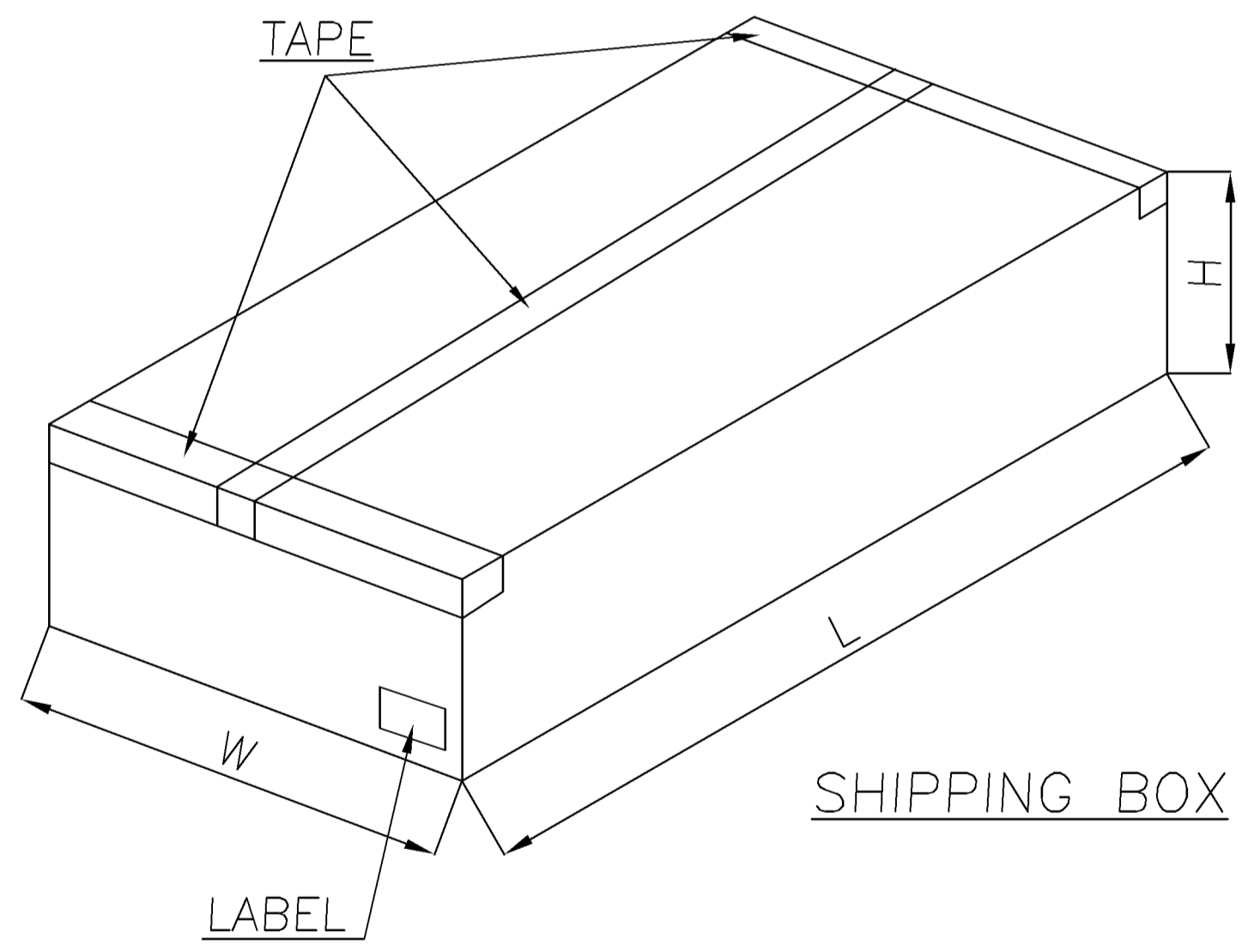
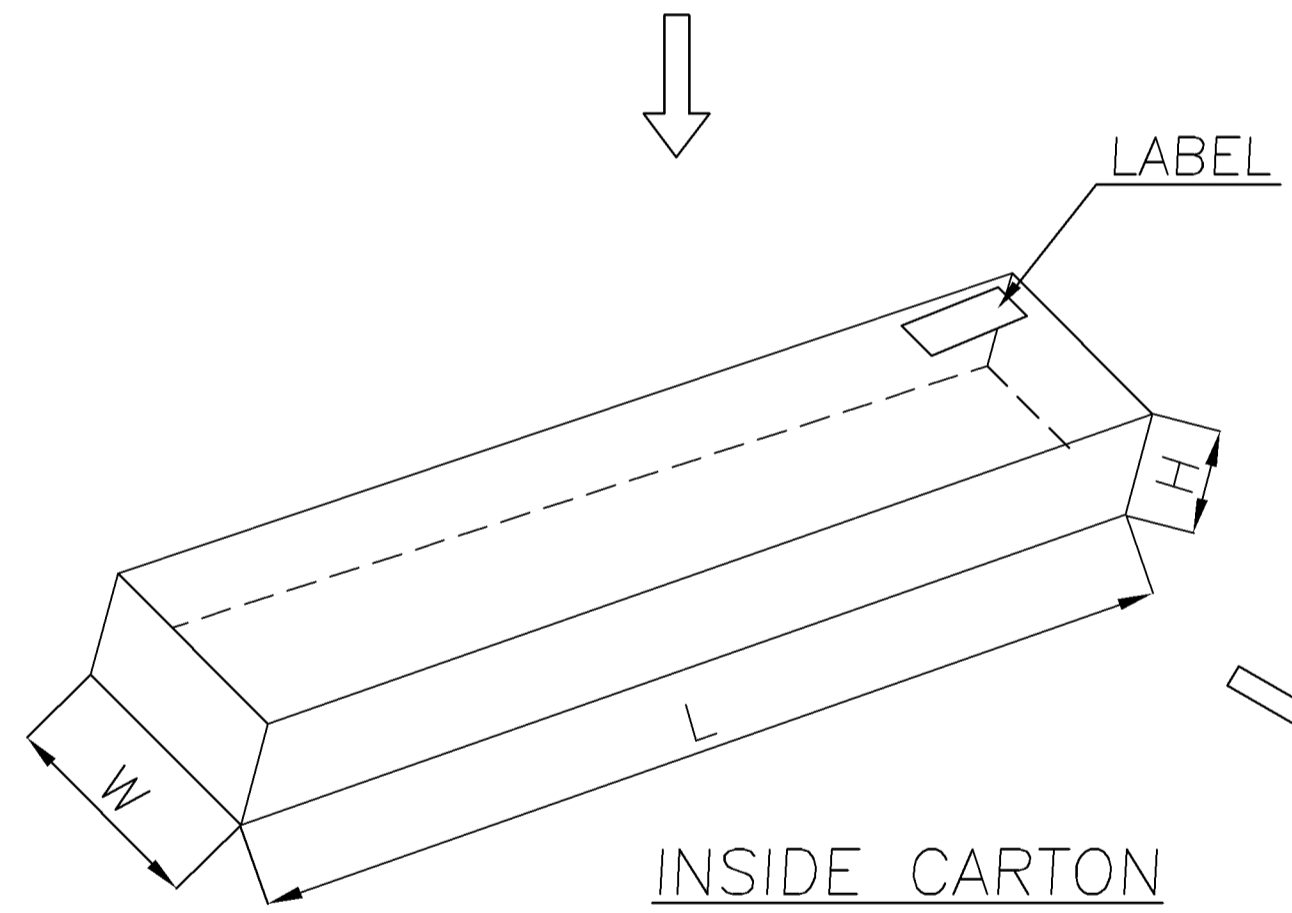
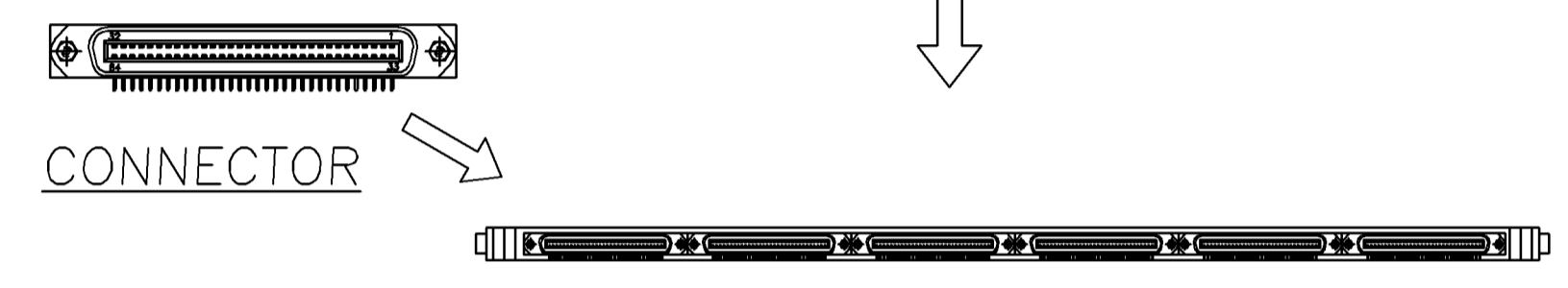
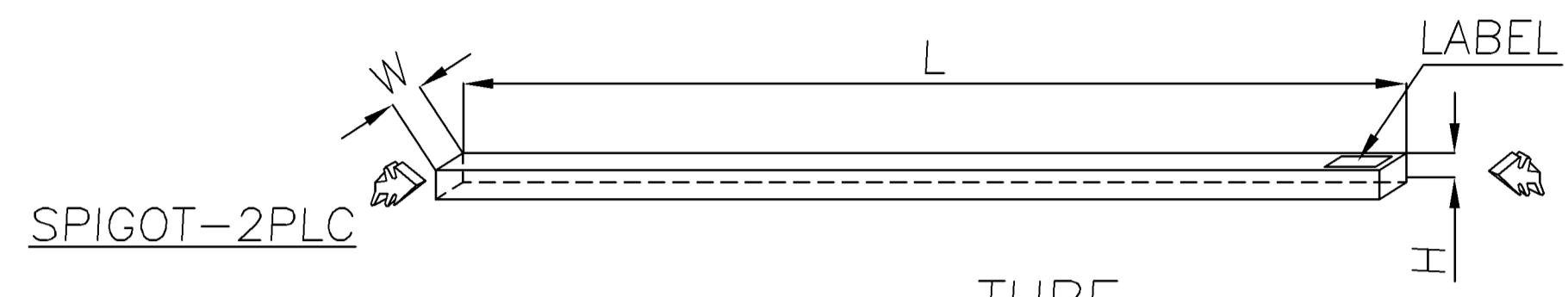


2.0 mm	3.18	1775115-2
1.6 mm	2.60	1775115-1
PCB THICKNESS	DIM A	PART NUMBER

THIS DRAWING IS A CONTROLLED DOCUMENT.		DWN J. LEE 04SEP2007	Tyco Electronics Corporation Taipei, Taiwan	
DIMENSIONS: MM		CHK S. HOU 04SEP2007	NAME	
TOLERANCES UNLESS OTHERWISE SPECIFIED:		APVD W.J. KE 04SEP2007	RECEPTACLE ASSEMBLY, 64 POSN, RIGHT ANGLE, CENTRONICS	
0 PLC ± -	1 PLC ± 0.3	PRODUCT SPEC	SIZE CAGE CODE DRAWING NO RESTRICTED TO	
2 PLC ± 0.2	3 PLC ± -	APPLICATION SPEC	A3 00779 C=1775115	
4 PLC ± -	ANGLES ± 3'	WEIGHT	SCALE SHEET 1 OF 2 REV A	
MATERIAL	FINISH	CUSTOMER DRAWING	NOT the LATEST REVISION	

THIS DRAWING IS UNPUBLISHED. RELEASED FOR PUBLICATION  
 © COPYRIGHT BY TYCO ELECTRONICS CORPORATION. ALL RIGHTS RESERVED.

LOC	DIST	REVISIONS					
		P	LTR	DESCRIPTION	DATE	DWN	APVD
DW	-			SEE SHEET 1.			



- NOTES:
- MATERIAL:  
 TUBE: PVC  
 INSIDE CARTON: CORRUGATED FIBER  
 SHIPPING BOX: CORRUGATED FIBER
  - DIMENSION:  
 TUBE: 635mm(L)x25.5mm(W)x20mm(H)  
 INSIDE CARTON: 660mm(L)x150mm(W)x135mm(H)  
 SHIPPING BOX: 670mm(L)x315mm(W)x150mm(H)
  - QUANTITY:  
 6 PCS/TUBE  
 30 TUBES/INSIDE CARTON  
 2 INSIDE CARTONS/SHIPPING BOX(360PCS)
  - SHIPPING BOX WEIGHT:  
 NET WEIGHT: 15.5KGS  
 GROSS WEIGHT: 16.5KGS

THIS DRAWING IS A CONTROLLED DOCUMENT.		DWN J. LEE	04SEP2007	Tyco Electronics Corporation Taipei, Taiwan	
DIMENSIONS: MM		CHK S. HOU	04SEP2007	NAME RECEPTACLE ASSEMBLY, 64 POSN, RIGHT ANGLE, CENTRONICS	
TOLERANCES UNLESS OTHERWISE SPECIFIED:		APVD W.J. KE	04SEP2007	SIZE A3	CAGE CODE 00779
0 PLC ± -		PRODUCT SPEC		DRAWING NO C=1775115	RESTRICTED TO -
1 PLC ± -		APPLICATION SPEC		SCALE -	
2 PLC ± -		WEIGHT -		SHEET 2 OF 2	
3 PLC ± -		CUSTOMER DRAWING		REV A	
4 PLC ± -					
ANGLES ± -					
MATERIAL -					
FINISH -					