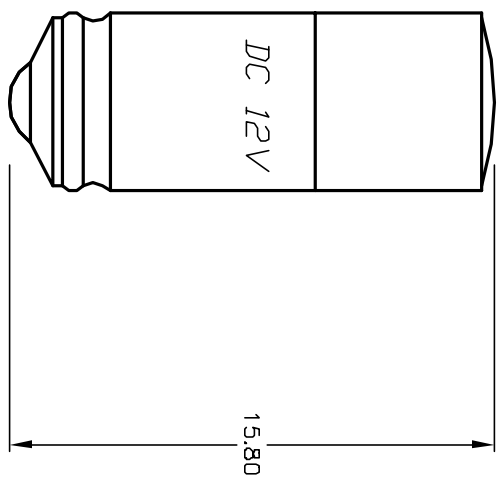
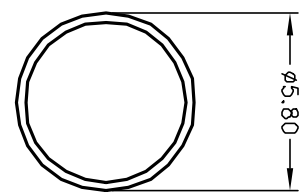


RED L.E.D

PARAMETERS	SYMBOL	TYP.	UNITS
AVE CURRENT	I _A	19	mA
EMISSION WAVELENGTH	λ _p	632	nm
LUMINOUS INTENSITY	I _F	700	mcd



NOTES:

1. ALL DIMENSIONS IN MM
2. GENERAL TOLERANCE: X.X=±0.4
X.XX=±0.25
3. VOLTAGE: 12V DC SEE ABOVE
4. OPERATING TEMP. -20°C to 60°C

REV.	ECN No.	DESCRIPTION	DATE	CHKD
A	11896	RELEASED FOR PRODUCTION	3/15/02	CJB
				CHKD

E-SWITCH®

50-004-20 (RED LED)

TITLE	SCALE	DATE	DR	DWG	REV
	4:1	2/01/02	CJB	F050420	A

THE INFORMATION CONTAINED IN THIS DOCUMENT IS PROPRIETARY TO E-SWITCH AND IS NOT TO BE COPIED OR TRANSFERRED