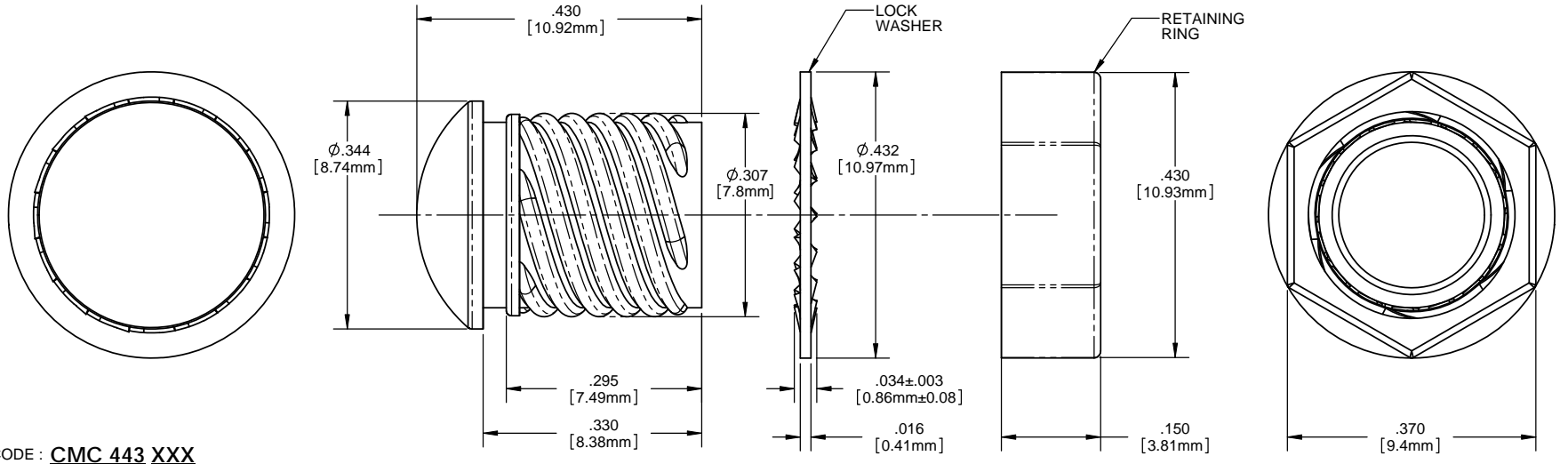
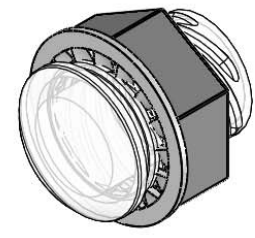


8 7 6 5 4 3 2 1

**NOTES:**

- MOUNTING:** Mounts in a  $\phi .312 \pm .002$  [ $\phi 7.92\text{mm} \pm .05$ ] panel hole on .500 [12.7mm] centers. Panel thickness .031 [.8mm] to .125 [3.18mm]. Panel hole should be deburred, but not chamfered.
- ASSEMBLY:** Insert lens through panel hole, slide lock washer onto lens barrel and twist on retaining ring. PCB mounted LEDs slide into lens when the panel cover is closed or the PCB card is inserted into the case.
- MATERIAL:** Lens-Polycarbonate, UL 94-V2  
Lock Washer- FH Steel, Nickel plate  
Retaining ring - Thermoplastic, U.L. 94 V0 Rated
- U.S. & Foreign Pat. Issued & Pend.

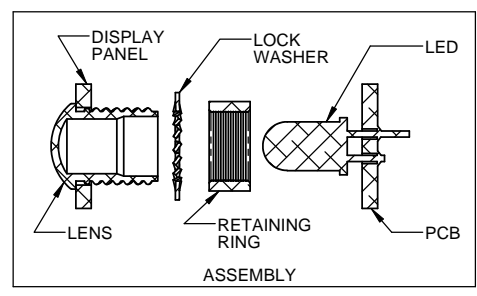
REVISIONS				
ECN#	REV.	DESCRIPTION	DATE	INITIALS
	001	REVISED PER ECR111009AZ01	4-23-10	SMU



ORDERING CODE : **CMC 443 XXX**

MODEL

LENS COLOR	
RTP	RED TRANSPARENT
ATP	AMBER TRANSPARENT
GTP	GREEN TRANSPARENT
BTP	BLUE TRANSPARENT
YTP	YELLOW TRANSPARENT
CTP	CLEAR TRANSPARENT



<small>UNLESS OTHERWISE SPECIFIED DIMENSIONS ARE IN INCHES</small> <small>ANGLES ±1°</small> <small>DECIMALS .X ±.020</small> <small>XXX ±.010</small> <small>FINISH XXX ±.005</small> <small>BREAK ALL CORNERS AND SHARP EDGES 90° MIN</small> <small>THIRD ANGLE PROJECTION</small> <small>PROPRIETARY AND CONFIDENTIAL</small> <small>THE INFORMATION CONTAINED IN THIS DRAWING IS THE SOLE PROPERTY OF VISUAL COMMUNICATIONS COMPANY, INC. AND IS LOANED TO YOU FOR YOUR USE ONLY. IT IS NOT TO BE REPRODUCED IN ANY MANNER WITHOUT THE WRITTEN CONSENT OF VISUAL COMMUNICATIONS COMPANY, INC.</small>	MATERIAL	SEE NOTES	<b>VISUAL COMMUNICATIONS COMPANY, INC.</b> <small>190 Bosstick Boulevard, Suite 101 San Marcos, CA 92069 USA</small> <small>Phone (760) 560-1300 Fax (760) 560-1301 email vccsales@vccite.com</small>			
	FINISH	SEE NOTES	<b>TITLE: 5MM ROUND STANDARD THREADED PLAIN LENS</b>			
APPROVAL	SMU	DATE	4-23-10	SIZE	DWG. NO.	REV
DRAWN	DZ	DATE	4-23-10	<b>B</b>	<b>CMC 443 XXX</b>	<b>001</b>
CHECKED:				SCALE: 4:1	SHEET 1 OF 1	
DO NOT SCALE DRAWING						

8 7 6 5 4 3 2 1