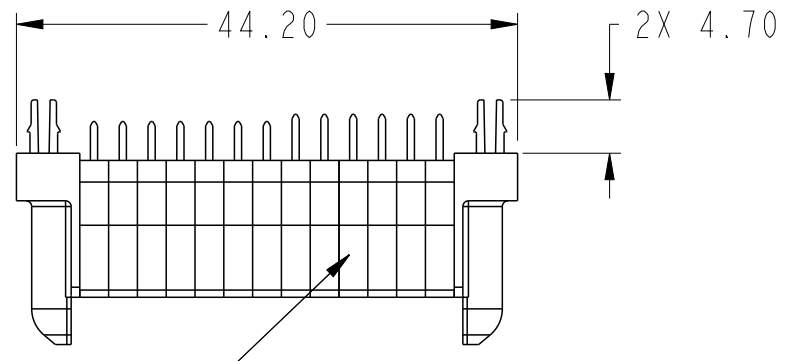
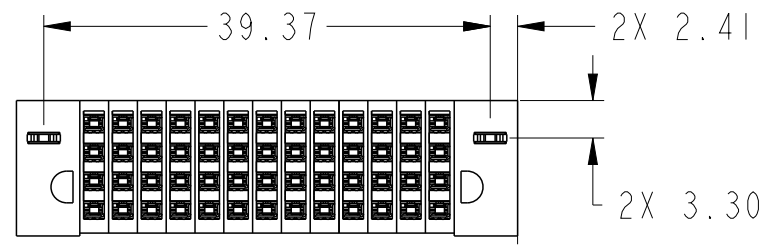
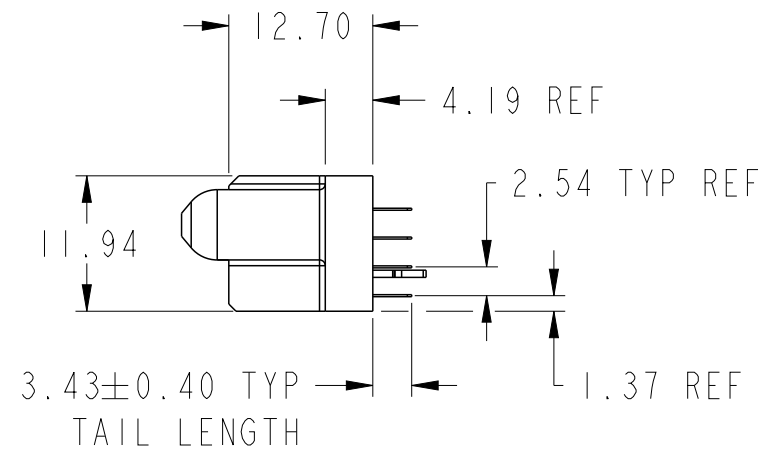
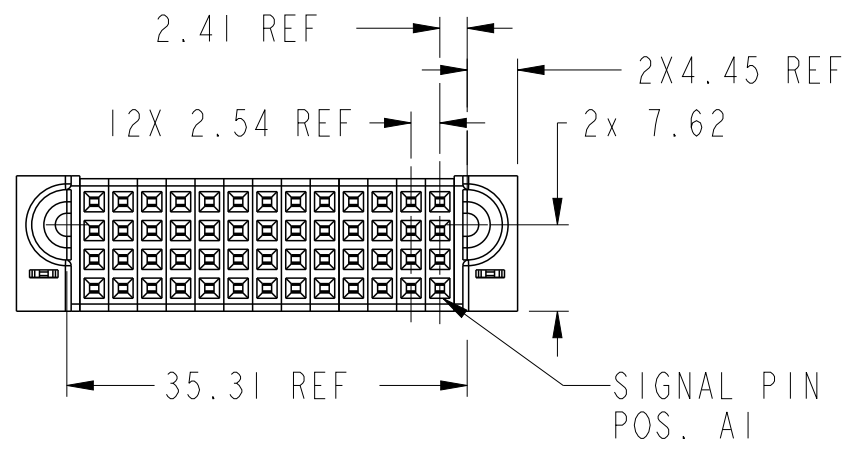


PRODUCT NUMBER SEE SHEET 2



NOTE 1

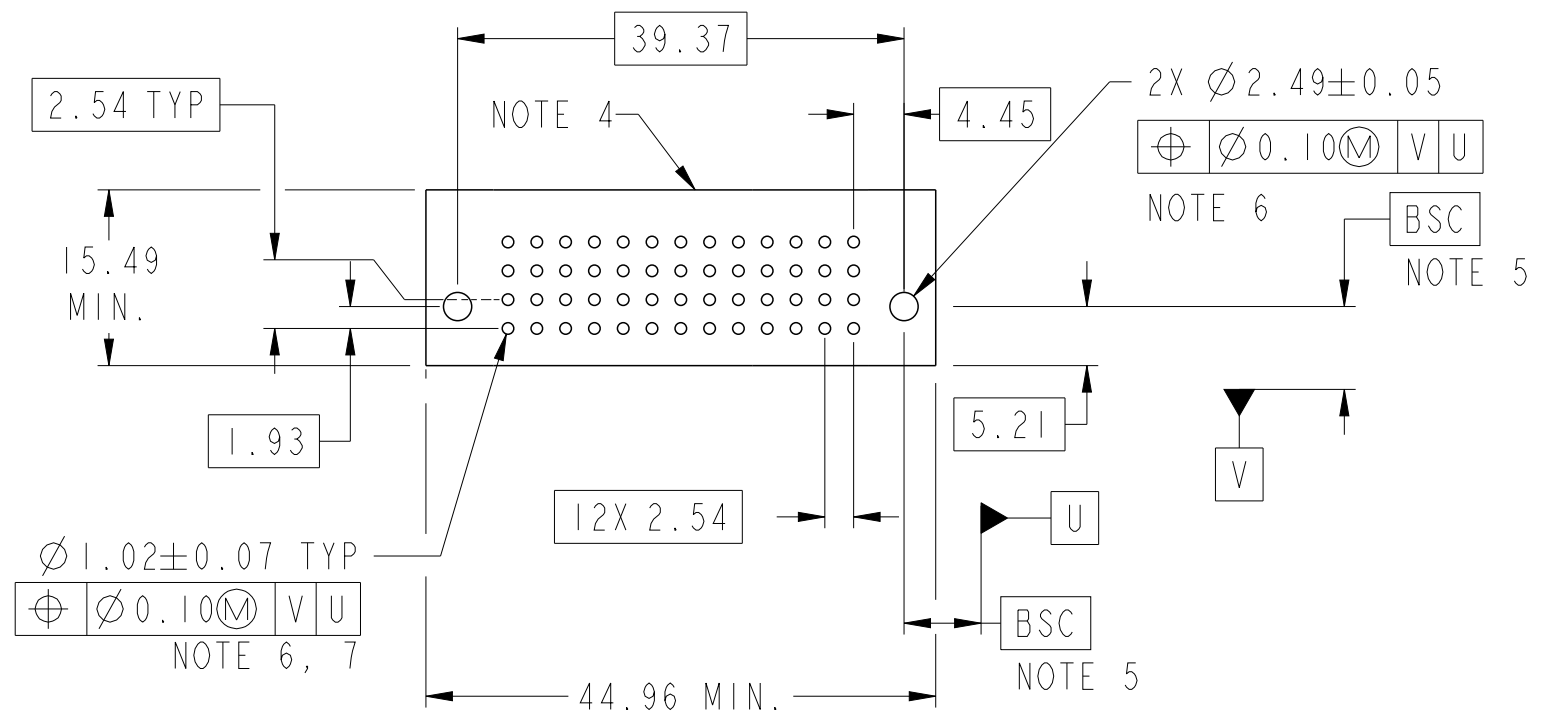


Copyright FCI.

spec ref		dr	Eddy Zeng	2013/11/14	projection 	MM ←→	size	A3	scale	3:2
tolerance std ASME Y14.5		eng	Eddy Zeng	2013/11/20			ecn no	-		
TOLERANCES UNLESS OTHERWISE SPECIFIED		chr	Li-He	2013/11/20			rel level	Released		
surface ✓	ASME Y14.5	linear	0.X	±0.50	product family	PowerBlade+	dwg no	10106268-0013001	rev	A
			0.XX	±0.25						
			0.XXX	±0.10						
angular	0°	±2°	www.fci.com	cat. no.	Product - Customer Drw	sheet 1 of 3				

PRODUCT NO.	ROWS	SIGNAL															
		E1	13	12	11	10	9	8	7	6	5	4	3	2	1	E2	
10106268-0013001LF	D C B A	E	E	E	E	E	E	E	E	E	E	E	E	E	E	E	E
		E	E	E	E	E	E	E	E	E	E	E	E	E	E	E	E
		E	E	E	E	E	E	E	E	E	E	E	E	E	E	E	E
		E	E	E	E	E	E	E	E	E	E	E	E	E	E	E	E

CODE	DESCRIPTION
E	STD SIGNAL CONTACT
HA	METAL HOLD DOWN



Copyright FCI.

dr	Eddy Zeng	2013/11/14	projection MM	size	A3	scale	3:2
eng	Eddy Zeng	2013/11/20		ecn no	-		
chr	Li-He	2013/11/20			rel level	Released	
appr	Pei-Ming Zheng	2013/11/20	product family	PowerBlade+			
www.fci.com		cat. no.	52S		dwg no	10106268-0013001	
			VT STB RECEPTACLE		rev	A	
			Product - Customer Drw		sheet 2 of 3		

A

A

NOTES:

- 1) "FCI", PART NUMBER AND DATE CODE TO BE MARKED ON THIS SURFACE.  
THE MARK CAN BE OMITTED IF THERE IS NOT ENOUGH SPACE ON THIS SURFACE.
- 2) MATERIALS:  
-HOUSING - GLASS FILLED WITH HIGH TEMP THERMOPLASTIC, UL94V-0.  
-SIGNAL CONTACT - COPPER ALLOY.  
-POWER CONTACT - HIGH CONDUCTIVITY COPPER ALLOY.
- 3) PLATING SPECIFICATION REFER TO FCI 10116351
- 4) DENOTES CONNECTOR KEEP OUT ZONE.
- 5) DATUM AND BASIC DIMENIONS WERE ESTABLISHED BY CUSTOMER.
- 6) ALL HOLE DIAMETERS ARE FINISHED HOLE SIZES.
- 7) 1.15 ± 0.025MM DRILLED HOLE PLATED WITH 0.00762MM MIN Sn  
OVER 0.0254-0.0762MM Cu PLATING TO ACHIEVE A 1.02 ± 0.07MM HOLE.
- 8) PRODUCT SPECIFICATION REFER TO FCI GS-12-658.  
APPLICATION SPECIFICATION REFER TO FCI GS-20-141.  
PRODUCT PACKAGED IN TRAYS, REFER TO FCI GS-14-1502.
- 9) THE VOID CORING IN BETWEEN POWER MODULES, SIGNAL  
MODULES AND END MODULES ARE OPTIONAL AND THE SHAPE  
MAY BE DIFFERENT FOR OPTIMIZE THE MOLDING PROCESS. THE  
VOID CORING WILL NOT EFFECT TO PRODUCT FUNCTION.

B

B

C

C

D

D



Copyright FCI.

dr	Eddy Zeng	2013/11/14	projection 	MM ←→	size	A3	scale	1:1	
eng	Eddy Zeng	2013/11/20			ecn no	-			
chr	Li-He	2013/11/20			rel level	Released			
appr	Pei-Ming Zheng	2013/11/20	product family	PowerBlade+					
		title	52S		dwg no	10106268-0013001		rev	A
www.fci.com		cat. no.	Product - Customer Drw		sheet 3 of 3				