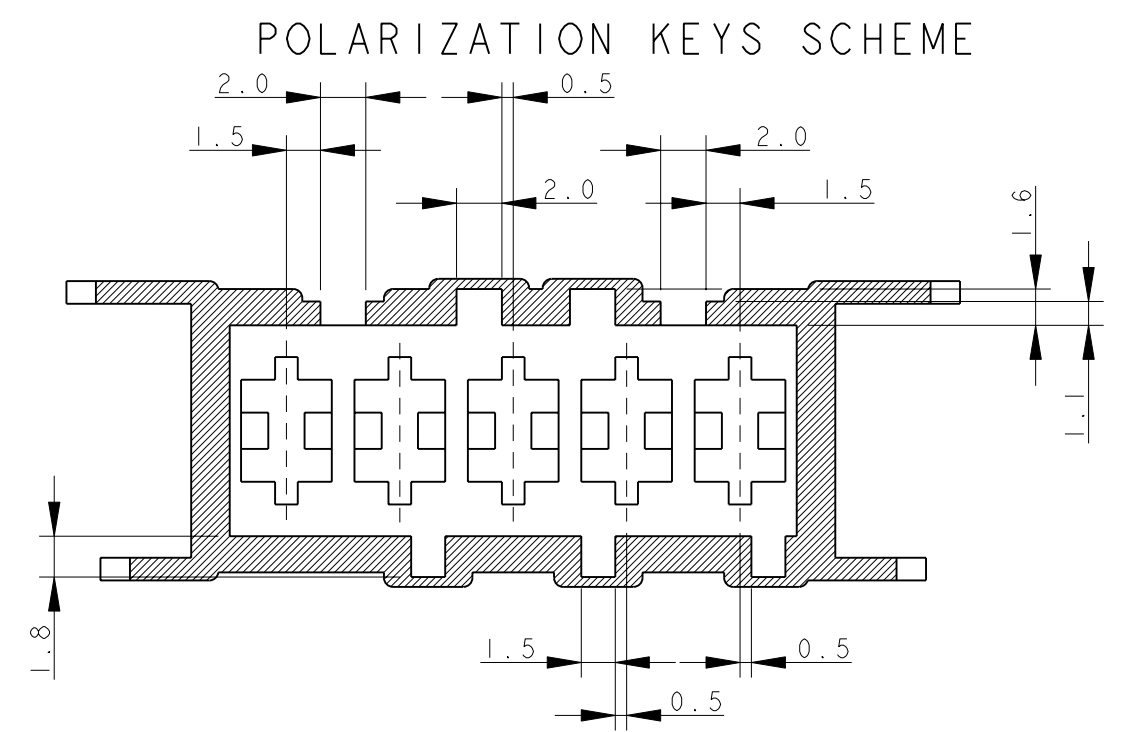
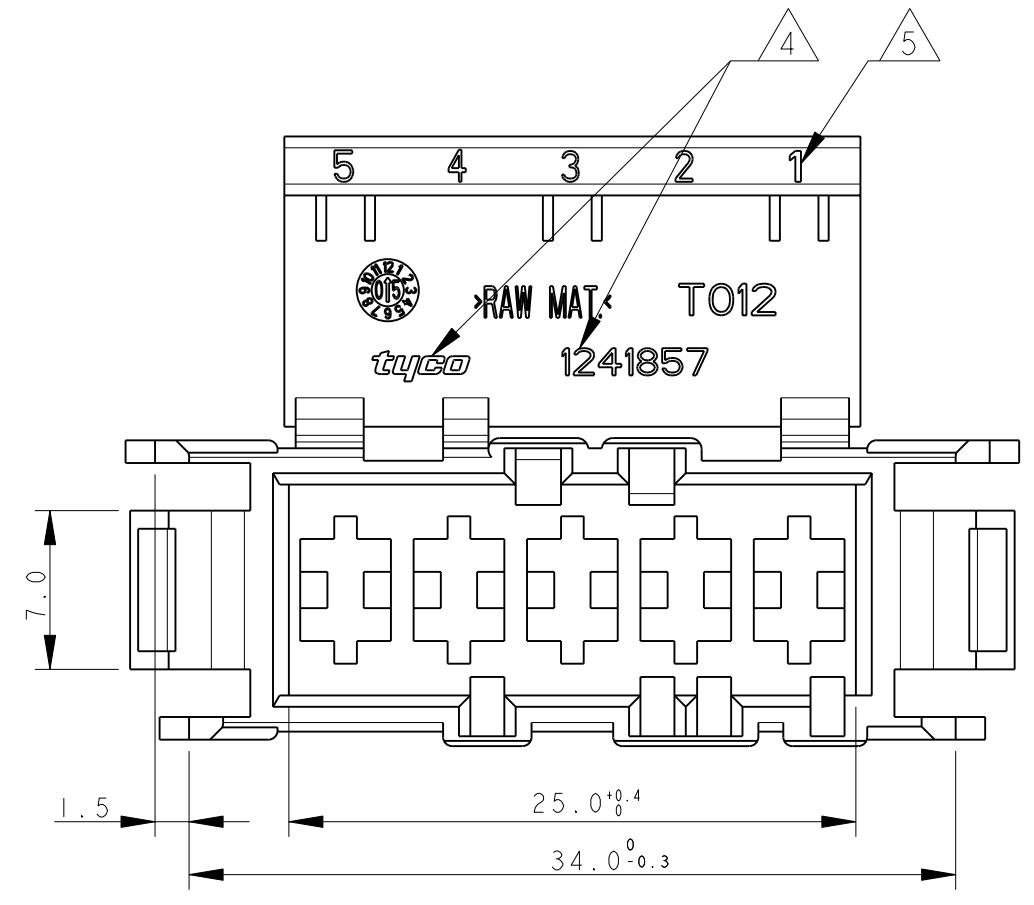
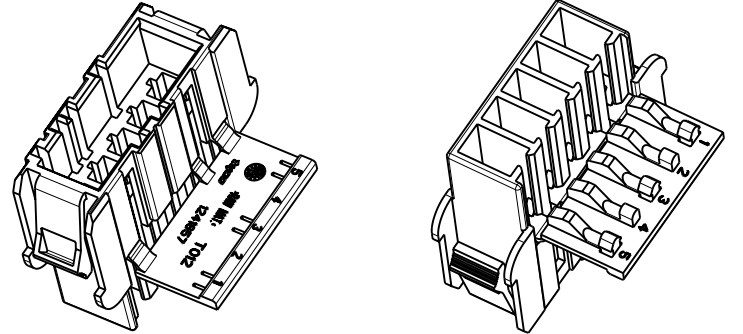


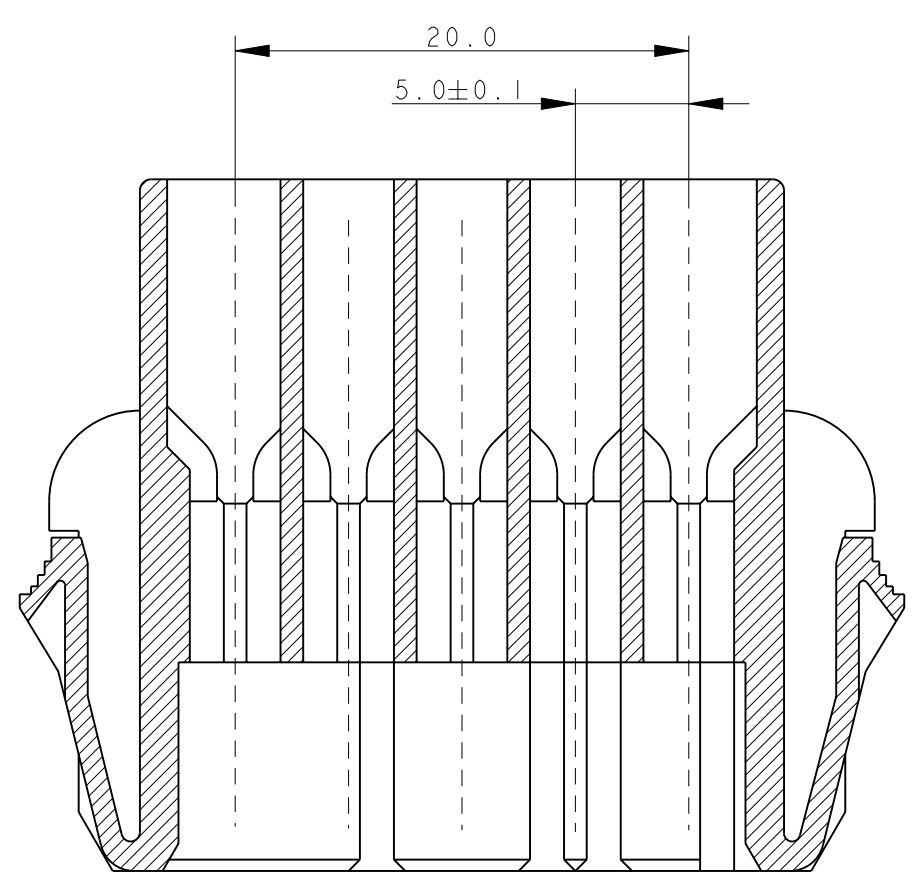
THIS DRAWING IS UNPUBLISHED. RELEASED FOR PUBLICATION 2003
 © COPYRIGHT 2003 BY TYCO ELECTRONICS CORPORATION. ALL RIGHTS RESERVED.

REVISIONS					
P	LTR	DESCRIPTION	DATE	DWN	APVD
C		CHANGED SEC. LOCK, ECR-07-007751	27APR2007	HY	GT
D		POL. SCHEME AND LOGO, ECR-08-018175	27MAY2008	HY	GT
D1		UPDATED	13MAY2009	HY	GT
D2		PROD. SPEC INFO ADDED	01OCT2010	PKS	MP

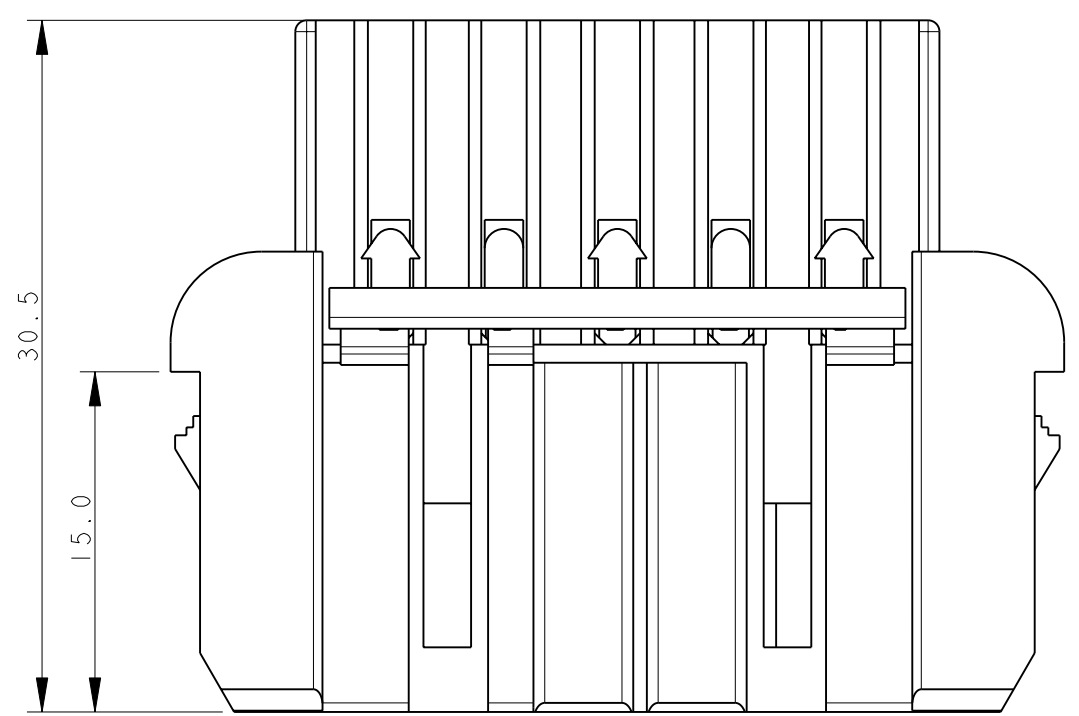
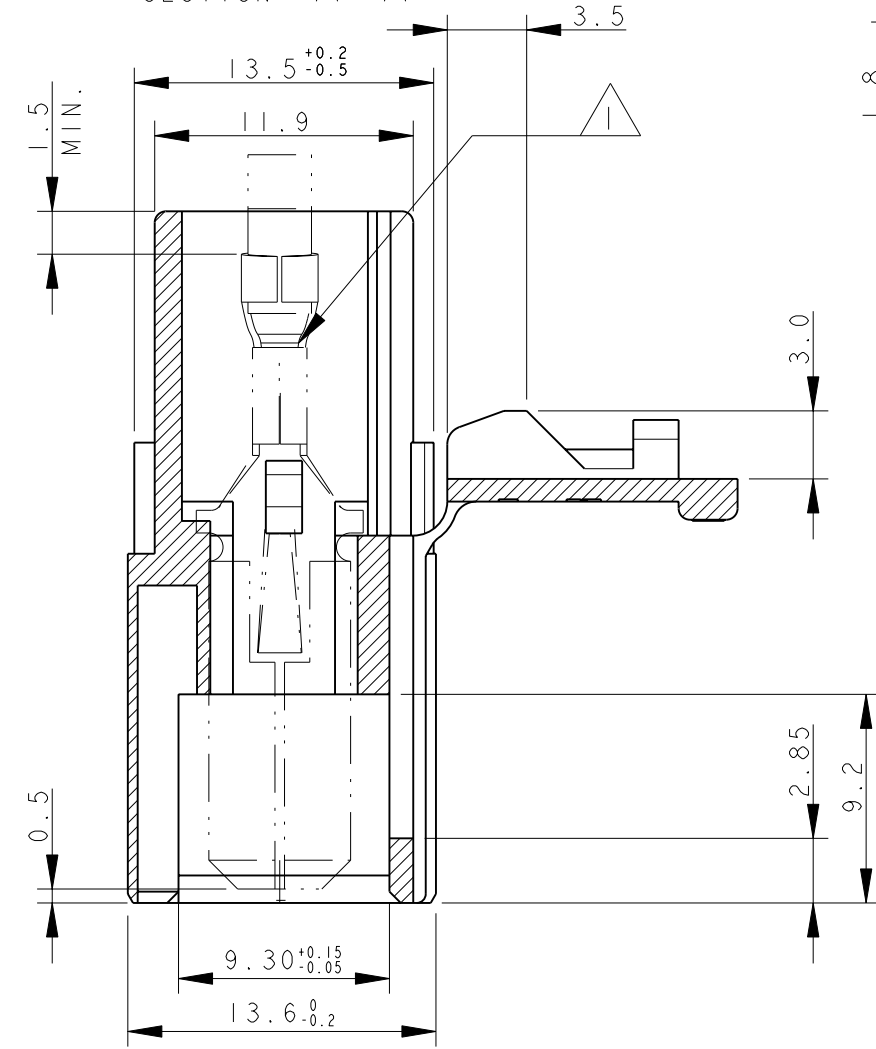
PERSPECTIVE VIEW FOR REF. ONLY SCALE 1:1



SECTION D-D

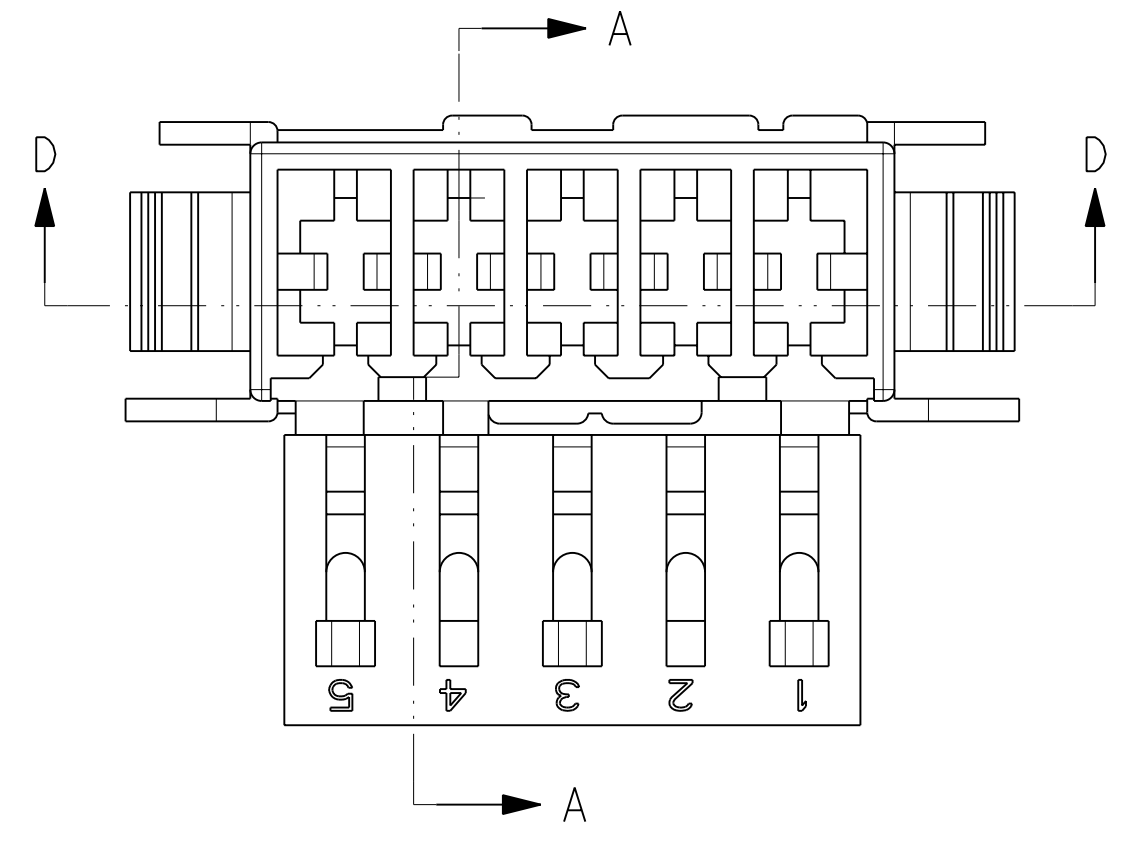
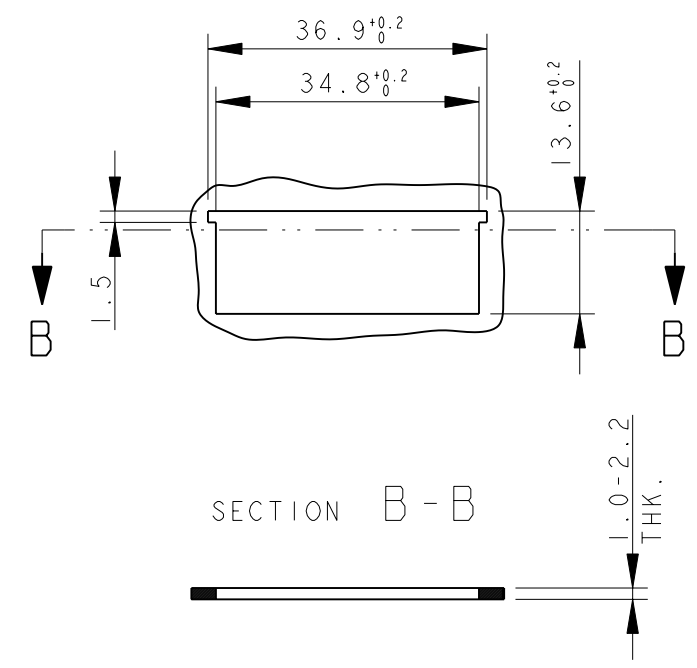


SECTION A-A



- 1 TYPICAL CAVITY SUITABLE FOR:
 FASTIN-FASTON TAB CONTACTS 6.3 mm SRS:
 P/N: 293041, 0.3-1.0 mm² WIRE RANGE
 60294, 0.3-0.8 mm² WIRE RANGE
 160691, 0.3-0.8 mm² WIRE RANGE
 AMPLIVAR CONTACTS:
 P/N: 141051, 0.1-0.5 mm² WIRE RANGE
 142411, 0.3-1.6 mm² WIRE RANGE
 MAX. INSULATION DIA. 2.8 mm,
 MAX. INSULATION CRIMP WIDTH 3.3 mm.
- 2 PA UNFILLED, UL 94-V2, NATURE COLOUR ACCORDING TO IEC 60335-1 NORM.
- 3 PA66 UNFILLED, UL 94-V2, NATURE COLOUR
- 4 TRADEMARK AND TYCO ELECTRONICS "PART NUMBER" OPTIONAL POSITION.
- 5 CIRCUIT IDENTIFICATION NUMBERS, 1 TO 5.
- 6 POLARIZATION KEYS DIMENSIONS AND POSITIONS ARE ACCORDING TO "RAST 5" NORM RAST CODE 05-B, 05-D.

PANEL CUT OFF DIMENSIONS SCALE 1:1



NOTE	COLOUR	MATERIAL	P/N	REV
	NATURAL	SEE NOTE 2	9-1241857-5	D
	NATURAL	SEE NOTE 3	0-1241857-5	D

THIS DRAWING IS A CONTROLLED DOCUMENT FOR TYCO ELECTRONICS CORPORATION IT IS SUBJECT TO CHANGE AND THE CONTROLLING ENGINEERING ORGANIZATION SHOULD BE CONTACTED FOR THE LATEST REVISION.		DWN H. YAALI 06JUN2005 CHK G. TURCO APVD -	Tyco Electronics AMP Italia S.R.L. C.so F.lli Cervi, 15 COLLEGGNO (TO)
DIMENSIONS: mm TOLERANCES UNLESS OTHERWISE SPECIFIED: 0 PLC ± 1 PLC ±0.3 2 PLC ± 3 PLC ± 4 PLC ± ANGLES ±° FINISH	PRODUCT SPEC 108-20256 APPLICATION SPEC - WEIGHT - CUSTOMER DRAWING	NAME 5POS. FASTIN-FASTON TAB HOUSING RAST 5, PANEL MOUNT VERSION. SIZE A2 CAGE CODE 00779 DRAWING NO. 1241857 RESTRICTED TO -	SCALE 3:1 SHEET 1 OF 1 REV D2