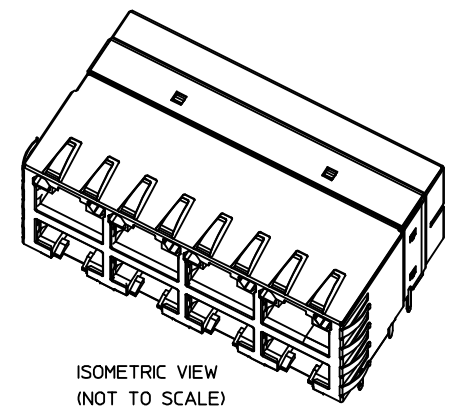
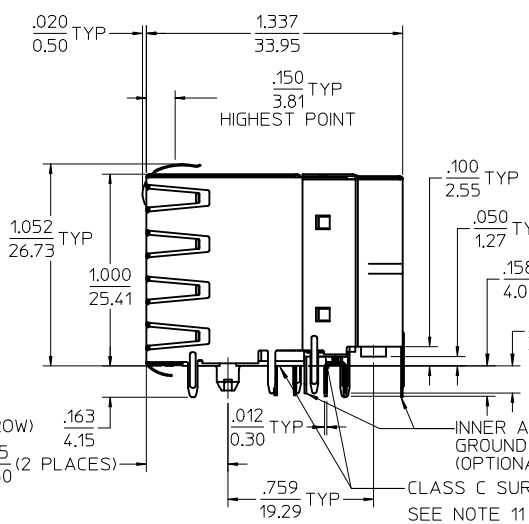
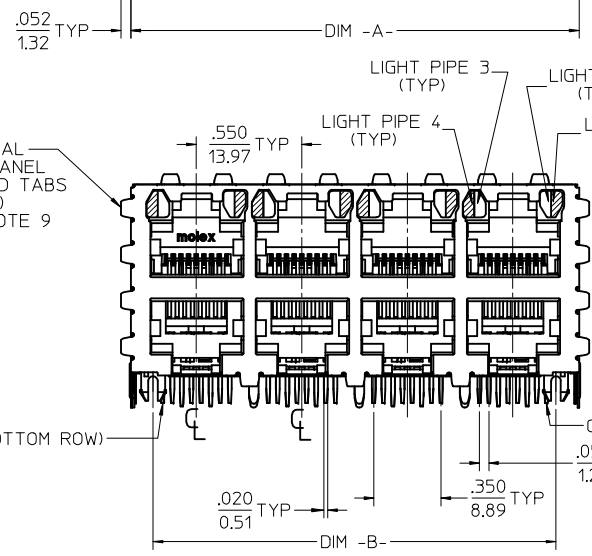
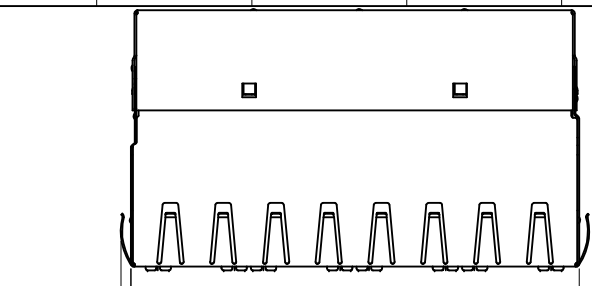


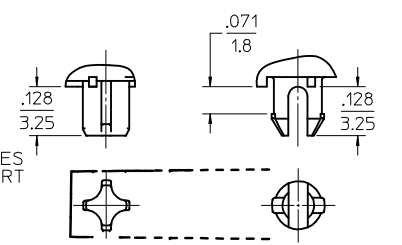
13 12 11 10 9 8 7 6 5 4 3 2 1

J
I
H
G
F
E
D
C
B
A

J
I
H
G
F
E
D
C
B
A



ISOMETRIC VIEW (NOT TO SCALE)



PRESS-FIT PEG STYLE (NOTE 6) SNAP-FIT PEG STYLE (NOTE 6)

- NOTES:
 1) MATERIAL:
 HOUSING: POLYESTER(PBT), GLASS FILLED, UL94V-0, COLOR: BLACK
 LIGHT PIPES: POLYCARBONATE, UL-94HB, COLOR: CLEAR
 TERMINALS: PHOSPHOR BRONZE
 SHIELD: BRASS
 2) FINISH:
 TERMINALS:
 SELECT GOLD IN CONTACT AREA: 50 MICRONS / 1.27 MICROMETERS MIN.
 SELECT TIN IN PC TAIL AREA: 100 MICRONS / 2.54 MICROMETERS MIN.
 WITH OVERALL NICKEL UNDERPLATE: 50 MICRONS / 1.27 MICROMETERS MIN.
 SHIELD:
 100 MICRONS / 2.54 MICROMETERS NICKEL OVER 50 MICRONS / 1.27 MICROMETERS COPPER UNDERPLATE PCB GROUND TABS DIPPED IN TIN
 3) PRODUCT SPECIFICATION: PS-44050-003.
 4) PACKAGING SPECIFICATION: CONNECTOR PACKAGED IN THERMOFORMED TRAYS PER PK-44170-003.
 5) APPLICATION SPECIFICATION: AS-43860-001
 6) CONNECTORS AVAILABLE WITH EITHER SNAP-FIT OR PRESS-FIT PEGS.
 7) CONFORMS TO FCC REGULATION PART 68.5 FOR MODULAR JACKS.
 8) PCB LAYOUT AND PANEL CUT-OUT SHOWN ON SHEET (2) OF (2).
 9) AVAILABLE WITH THE (8) PANEL GROUND TABS REMOVED ON EACH SIDE FOR SIDE TO SIDE STACKABILITY.
 10) TERMINAL LENGTHS MAY BE DIFFERENT FROM TERMINAL TO TERMINAL.
 11) THIS PART CONFORMS TO CLASS B REQUIREMENTS OF COSMETIC SPECIFICATION PS-45499-002 WITH THE EXCEPTION OF THE SURFACE INDICATED WHICH IS A CLASS C SURFACE.

ASSEMBLY MATERIAL NUMBER	NUMBER OF PORTS	PEG STYLE	DIM -A-	DIM -B-	SIDE PANEL GROUND TABS	INNER/REAR GROUND TABS
44170-0001	8 (2 X 4)	SNAP-FIT	2.330/59.18	2.100/53.34	YES	YES
44170-2001	8 (2 X 4)	SNAP-FIT	2.330/59.18	2.100/53.34	NO	YES
44170-3001	8 (2 X 4)	SNAP-FIT	2.330/59.18	2.100/53.34	YES	NO
44170-4001	8 (2 X 4)	SNAP-FIT	2.330/59.18	2.100/53.34	NO	NO
44170-0004	8 (2 X 4)	PRESS-FIT	2.330/59.18	2.100/53.34	YES	YES
44170-2004	8 (2 X 4)	PRESS-FIT	2.330/59.18	2.100/53.34	NO	YES
44170-3004	8 (2 X 4)	PRESS-FIT	2.330/59.18	2.100/53.34	YES	NO
44170-4004	8 (2 X 4)	PRESS-FIT	2.330/59.18	2.100/53.34	NO	NO
44170-0002	12 (2 X 6)	SNAP-FIT	3.430/87.12	3.200/81.28	YES	YES
44170-2002	12 (2 X 6)	SNAP-FIT	3.430/87.12	3.200/81.28	NO	YES
44170-3002	12 (2 X 6)	SNAP-FIT	3.430/87.12	3.200/81.28	YES	NO
44170-4002	12 (2 X 6)	SNAP-FIT	3.430/87.12	3.200/81.28	NO	NO
44170-0005	12 (2 X 6)	PRESS-FIT	3.430/87.12	3.200/81.28	YES	YES
44170-2005	12 (2 X 6)	PRESS-FIT	3.430/87.12	3.200/81.28	NO	YES
44170-3005	12 (2 X 6)	PRESS-FIT	3.430/87.12	3.200/81.28	YES	NO
44170-4005	12 (2 X 6)	PRESS-FIT	3.430/87.12	3.200/81.28	NO	NO

OBSOLETE 16 PORT EC NO: UCP2014-5436 DRWINHUYEN 2014/06/27 CHKD:JBELL 2014/06/27 APPR:FSMITH 2014/07/17	QUALITY SYMBOLS	DESCRIPTION
	▽=0	
	▽=0	
	▽=0	

GENERAL TOLERANCES (UNLESS SPECIFIED)	
mm	INCH
4 PLACES ± .10	± .005
3 PLACES ± .15	± .010
2 PLACES ± 0.25	± .020
1 PLACE ± .50	± .050
0 PLACE ±	±
ANGULAR ±1/2°	
DRAFT WHERE APPLICABLE MUST REMAIN WITHIN DIMENSIONS	

DIMENSION STYLE	
IN/MM	
DRAWN BY	DATE
MARGULIS	98/11/16
CHECKED BY	DATE
ROBERTS	98/11/16
APPROVED BY	DATE
ROBERTS	98/11/16
MATERIAL NO.	DOCUMENT NO.
SEE CHART	SD-44170-001

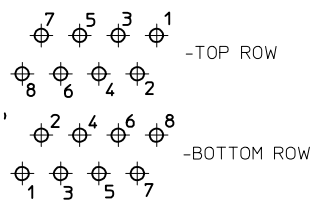
SCALE 2:1 DESIGN UNITS INCH THIRD ANGLE PROJECTION

STACKED MODULAR JACK WITH LIGHT PIPES CAT 5

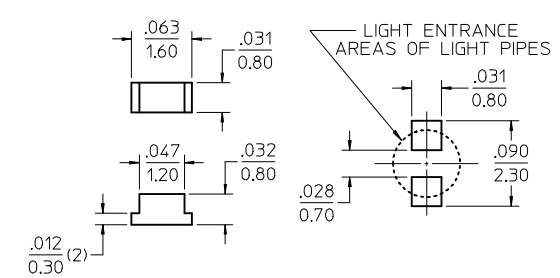
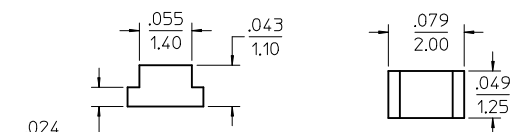
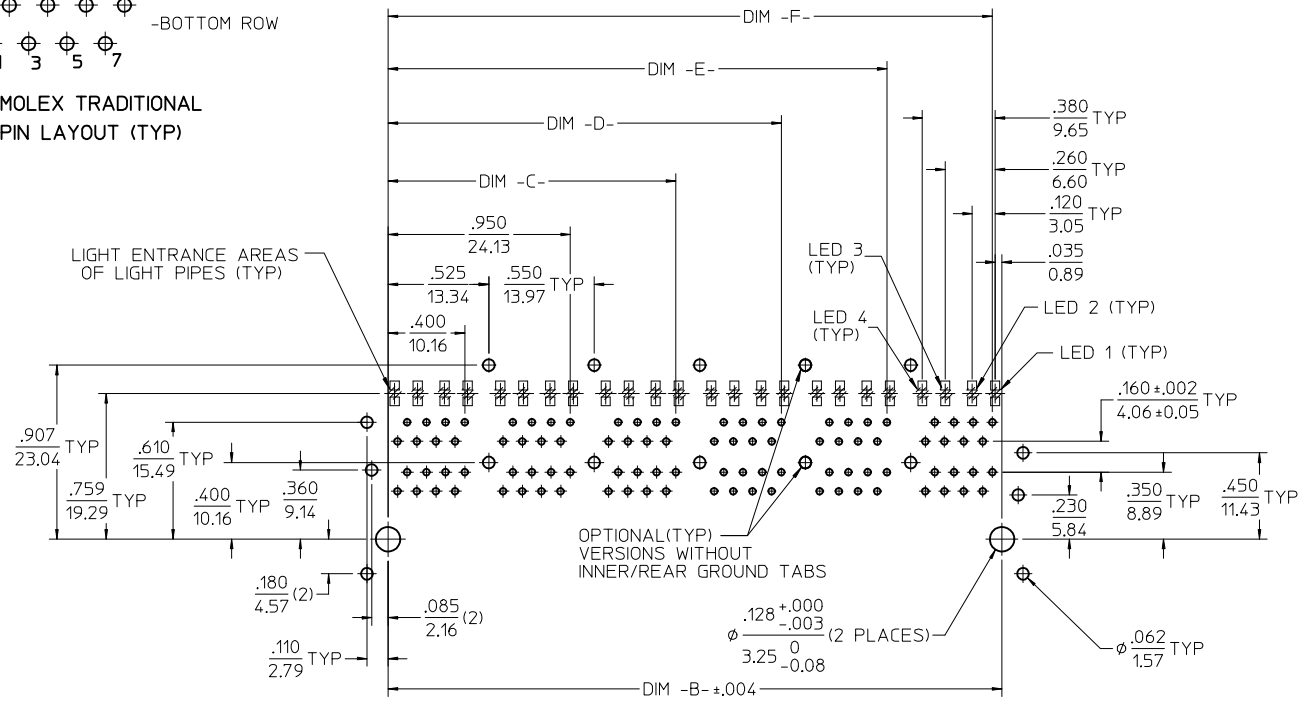
molex

SHEET NO. 1 OF 2

THIS DRAWING CONTAINS INFORMATION THAT IS PROPRIETARY TO MOLEX INCORPORATED AND SHOULD NOT BE USED WITHOUT WRITTEN PERMISSION



MOLEX TRADITIONAL PIN LAYOUT (TYP)

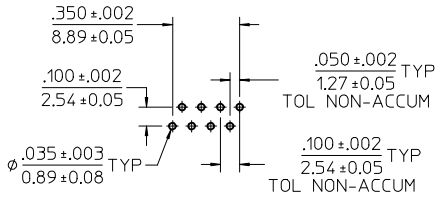


PC BOARD LAYOUT: COMPONENT SIDE
RECOMMENDED PCB THICKNESS: .062/1.57
(12 PORT VERSION SHOWN)

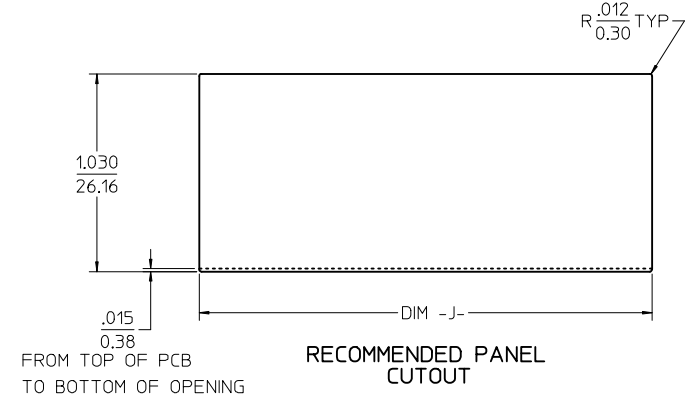
ALL DIMENSIONS ARE ±.003/±.08 UNLESS SPECIFIED OTHERWISE

NOTES:

1. SEE MOLEX WEB SITE FOR CROSS REFERENCE OF RECOMMENDED LED'S.



TYP HOLE LAYOUT (EACH PORT)



NUMBER OF PORTS	DIM -B-	DIM -C-	DIM -D-	DIM -E-	DIM -F-	DIM -J-
8 (2 X 4)	2.100/53.34	1.500/38.10	2.050/52.07			2.360/59.94
12 (2 X 6)	3.200/81.28	1.500/38.10	2.050/52.07	2.600/66.04	3.150/80.01	3.460/87.88

REV	DESCRIPTION	QUALITY SYMBOLS
1	SEE SHEET 1 EC NO: UCP2014-5436 DRAWINGUYEN 2014/06/27 CHKD:JBELL 2014/06/27 APPR:FSMITH 2014/07/17	▽=0 ▽=0 ▽=0

GENERAL TOLERANCES (UNLESS SPECIFIED)		DIMENSION STYLE		SCALE	DESIGN UNITS	THIRD ANGLE PROJECTION
mm	INCH	IN/MM		2:1	INCH	
4 PLACES ±	±	DRAWN BY	DATE	TITLE		
3 PLACES ±	±.010	MARGULIS	98/11/16	STACKED MODULAR JACK WITH LIGHT PIPES CAT 5		
2 PLACES ±	±.025	CHECKED BY	DATE	molex		
1 PLACE ±	±	ROBERTS	98/11/16	DOCUMENT NO. SD-44170-001		
0 PLACE ±	±	APPROVED BY	DATE	SHEET NO. 2 OF 2		
ANGULAR ±1/2°		ROBERTS	98/11/16	THIS DRAWING CONTAINS INFORMATION THAT IS PROPRIETARY TO MOLEX INCORPORATED AND SHOULD NOT BE USED WITHOUT WRITTEN PERMISSION		
DRAFT WHERE APPLICABLE MUST REMAIN WITHIN DIMENSIONS		MATERIAL NO. SEE CHART				