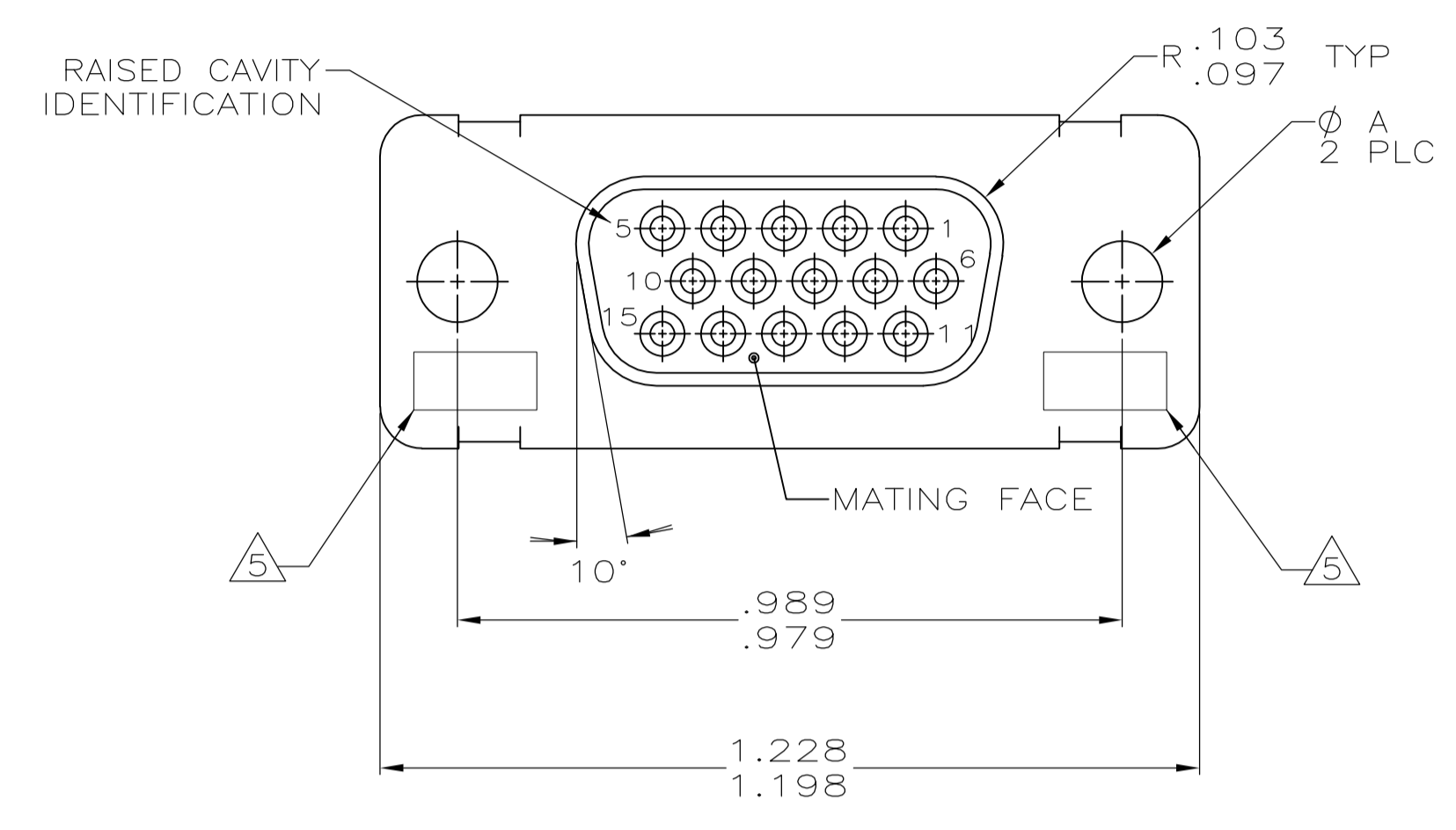
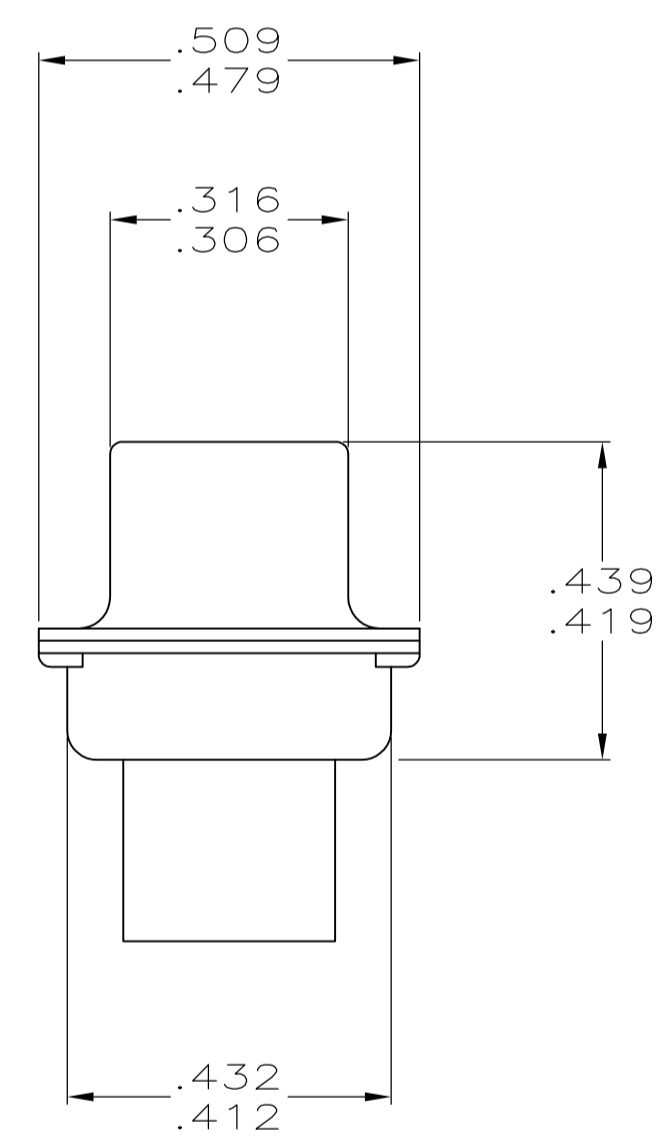
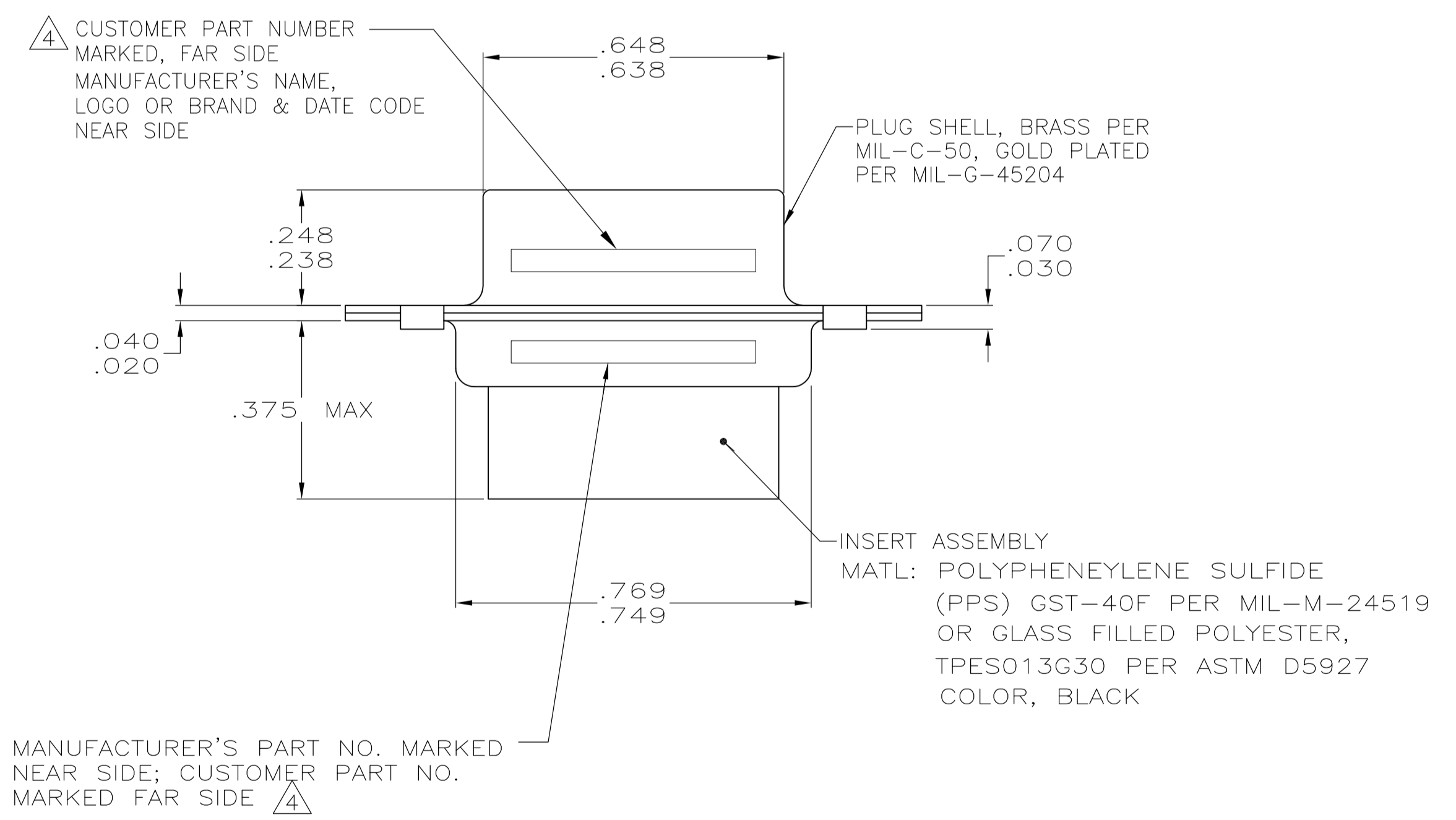


LOC		DIST		REVISIONS			
P	LTR	DESCRIPTION	DATE	DNW	APVD		
Z		REV PER ECO-13-003628	05MAR13	KG	RL		



- THIS RECEPTACLE WILL MATE WITH ANY PLUG CONNECTOR WITH THE SAME INSERT ARRANGEMENT AS DEFINED BY MS18273-2.
  - MAXIMUM WIRE INSULATION TO BE USED WITH THIS RECEPTACLE IS .054 DIA.
  - BE. CU. RETENTION CLIPS ARE INCLUDED IN INSERTS.
- △ CUSTOMER PART NUMBER MAY BE SPLIT BETWEEN FRONT AND REAR SHELL, SAME SIDE.
  - △ UL/CSA DESIGNATION STAMPED IN THIS AREA, OPTIONAL.
  - △ INSPECTION REQUIREMENTS PER R4383.
  - △ CONNECTOR SUPPLIED WITH 17 CONTACTS, AMP PART NUMBER 206071-1. INSPECTION REQUIREMENTS PER R4383.
  - △ CONNECTOR SUPPLIED WITH 25 CONTACTS, AMP PART NUMBER 206071-1. INSPECTION REQUIREMENTS PER R4383.
  - △ THESE CONNECTORS ARE QUALIFIED TO GODDARD SPACE FLIGHT CENTER SPECIFICATIONS S-311-P-4.
  - △ 10 RESTRICTED TO CAE ELECTRONICS ONLY.



AMP P/N 206071-1  
GSFC P/N G-08-S1  
(SUPPLIED WITH 206064-6 AND 206064-7 ONLY)

SIZE	REMARKS	CUSTOMER P/N	MARKED AMP P/N	PART NO
.120		570566-1	1-206499-0	1-206499-0
.154	△ 10 △ 9	311P407-1S-B-15	206499-1	206499-9
.120	△ 10 △ 9	311P407-1S-B-12	206499-4	206499-8
.120	△ 8	20025720P1015S	206499-7	206499-7
.120	△ 7	R4383 P15S	206499-6	206499-6
.120	△ 6	R4383 P15S-2	206499-5	206499-5
.120	△ 9	311P407-1S-B-12	206499-4	206499-4
.154		----	206499-3	206499-3
.120		R9259P15S	206499-2	206499-2
.154	△ 9	311P407-1S-B-15	206499-1	206499-1
Ø A				

THIS DRAWING IS A CONTROLLED DOCUMENT. DIMENSIONING AND TOLERANCING PER ASME Y14.5M (ISO STANDARDS). TOLERANCES UNLESS OTHERWISE SPECIFIED:

DIMENSIONS: INCHES	0 PLC ± .005	1 PLC ± .005	2 PLC ± .005	3 PLC ± .005	4 PLC ± .005	ANGLES ± .005
--------------------	--------------	--------------	--------------	--------------	--------------	---------------

MATERIAL: SEE CALLOUTS. FINISH: SEE CALLOUTS.

APPROVED: P. YEAGER (02OCT2006), D. MILLER (05OCT06), D. MILLER (05OCT06)

NAME: RECEPTACLE FOR SOCKET CONTACTS HIGH DENSITY D, 15 POSN, SIZE 1 NONMAGNETIC

SIZE: A1. CAGE CODE: 00779. DRAWING NO: 206499. WEIGHT: ---. RESTRICTED TO: ---.

CUSTOMER DRAWING. SCALE: 4:1. SHEET: 1 OF 1. REV: Z.