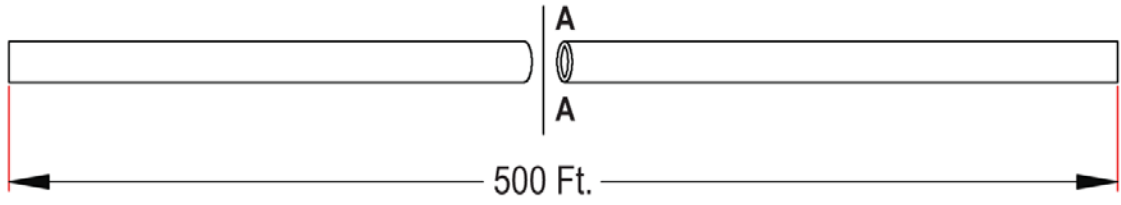


1                      2                      3                      4                      5                      6                      7

A

A

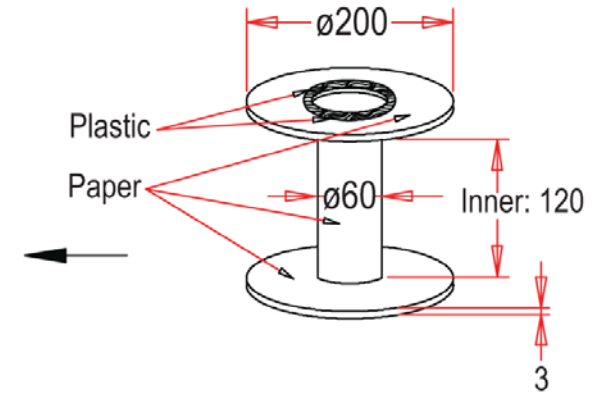
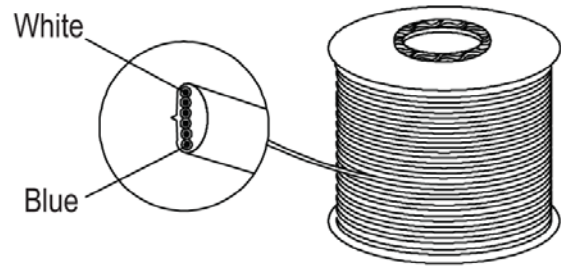
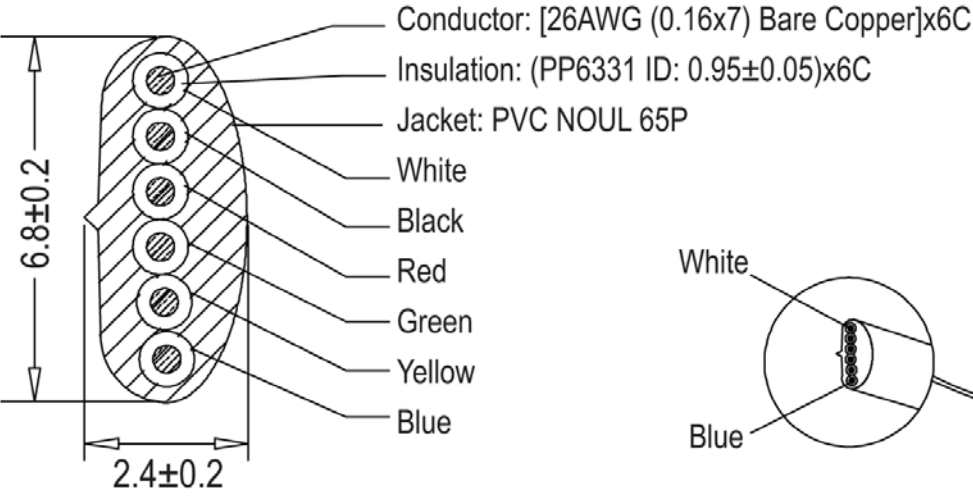


B

B

C

C



D

D

E

E

**Sec: A - A**

### 500Ft/R. "PE" Foam Wrapped

Unit: MM

F

F

G

G

Scale	1:1					Name	Item No.
TOLERANCE						Drawn	12.19.11
X.X	±0.40					Chappell	<b>AT-K-26-6-B/500</b>
X.XX	±0.25					Approved	<b>Title</b> Modular Straight cable - Raw, 6 Contact, 26AWG, Black, 500Ft.
X.XXX	±0.15						Drawing No.
Angle	±3°						<b>rev00</b>
							Replace
							Sheet
		Modification	Date	Name			



1                      2                      3                      4                      5                      6                      7

H

H