

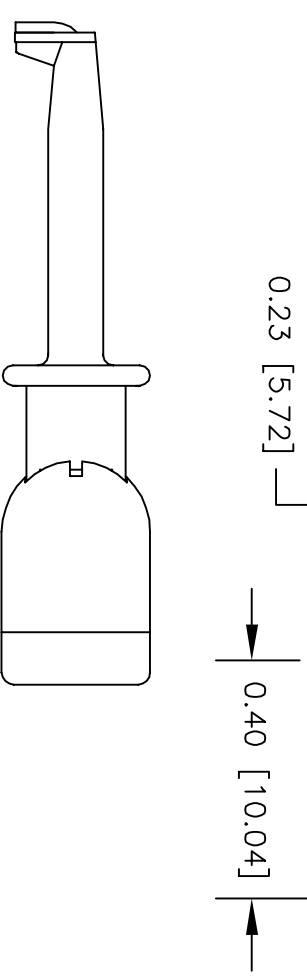
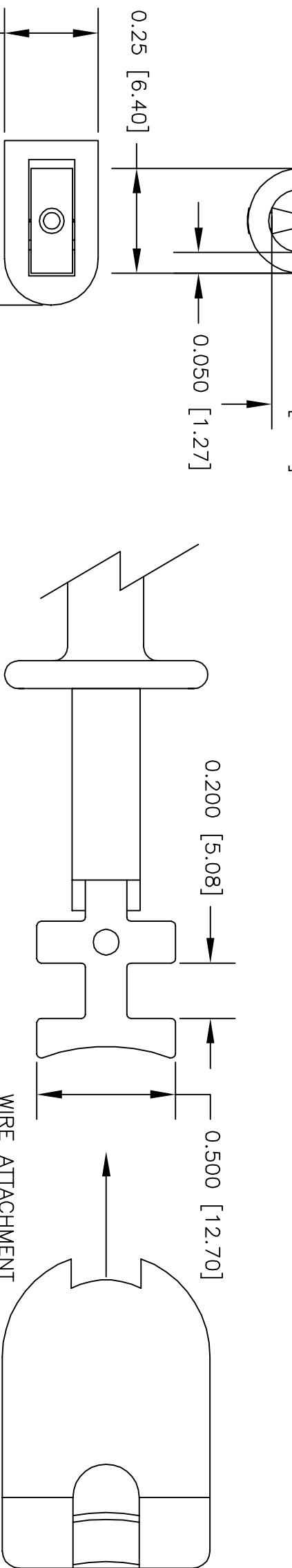
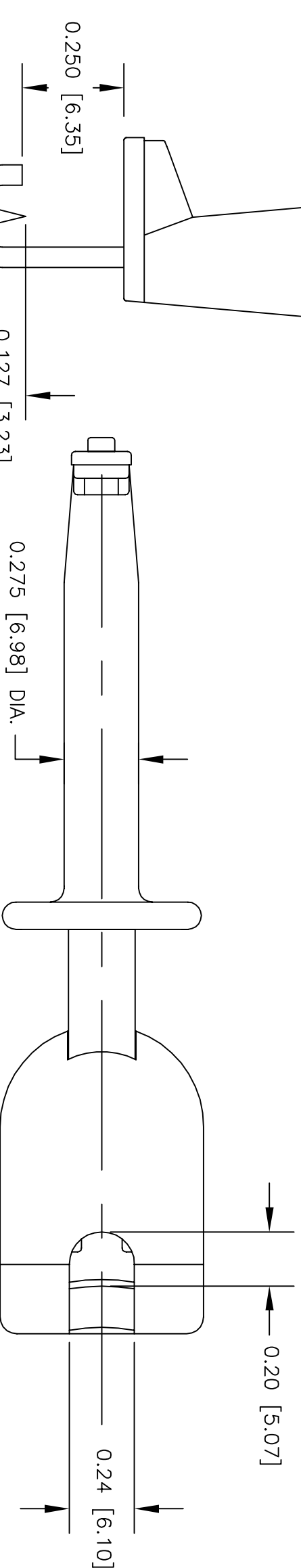
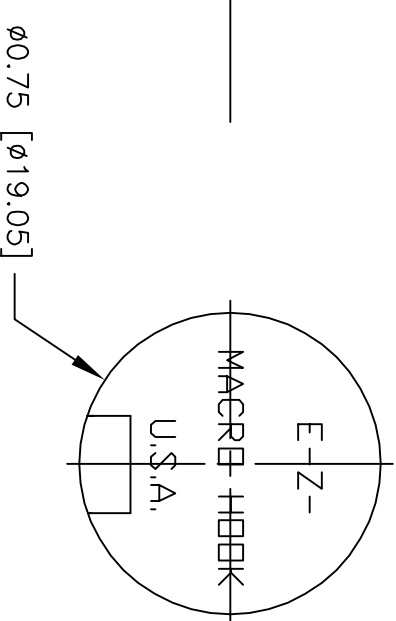
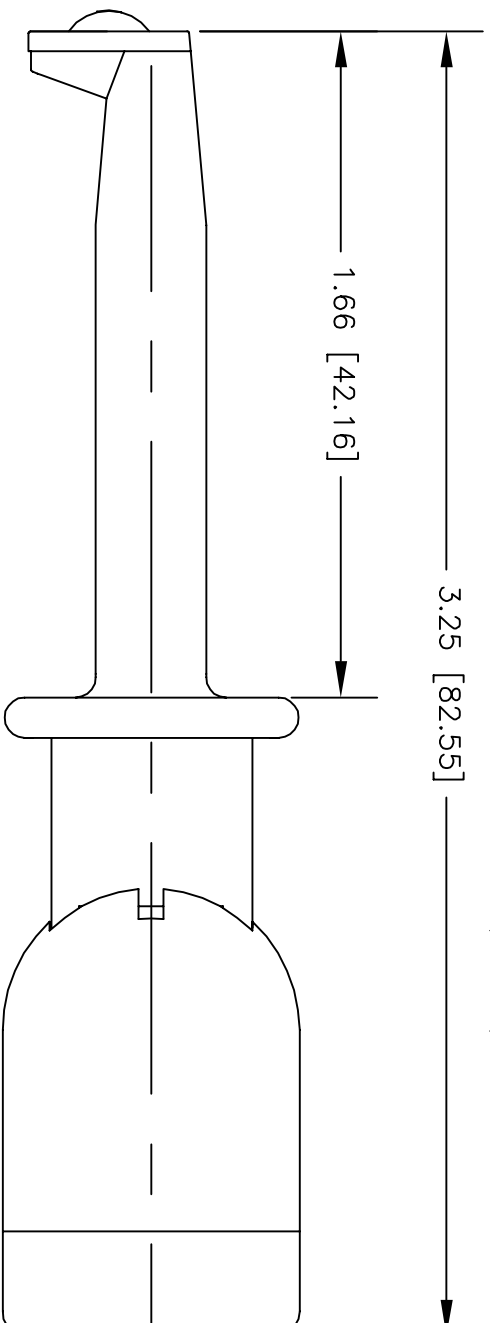
NOTES: UNLESS OTHERWISE SPECIFIED

REVISIONS		DATE	APPROVED
LTR			

- CONSTRUCTION: HOUSING & PLUNGER: MOLDED NYLON TYPE 6,6. AVAILABLE IN TEN COLORS. CONTACT BLADE: NICKEL SILVER ALLOY CA 770. SPRING: STAINLESS STEEL TYPE 302.

- PERFORMANCE:
  - MAXIMUM CURRENT: 13.1 AMPS WITH A 76° TEMPERATURE RISE.
  - MAXIMUM VOLTAGE: 2.4 KV
  - MAXIMUM TEMPERATURE: 200°F (93°C)
- FEATURES:
  - HOOK PIERCES WIRE UP TO  $\varnothing 0.140$ " [3.56].
  - FIELD SERVICEABLE.

HOOK DETAIL  
SCALE: 3:1



ACTUAL SIZE

UNLESS OTHERWISE SPECIFIED DIMENSIONS ARE IN INCHES. TOLERANCES ARE: FRACTIONS DECIMALS ANGLES		CONTRACT NO.	
± .XX ±	± .XXX ±	APPROVALS	DATE
MATERIAL SEE NOTE.		R.L.	6/09
FINISH SEE NOTE.		APPROVED BY	
APPLICATION	USED ON	DO NOT SCALE DRAWING	
DESCRIPTION		SIZE	CODE IDENT NO.
E-Z-MACRO HOOK INSULATION-PIERCING		B	08505
DRAWING NO.		SCALE	DRAWING NO.
XJ		2:1	
REV.		SHEET 1 OF 1	

**E-Z-HOOK** DIVISION OF TEKTEST INC. ARCADIA, CA 91006 U.S.A.