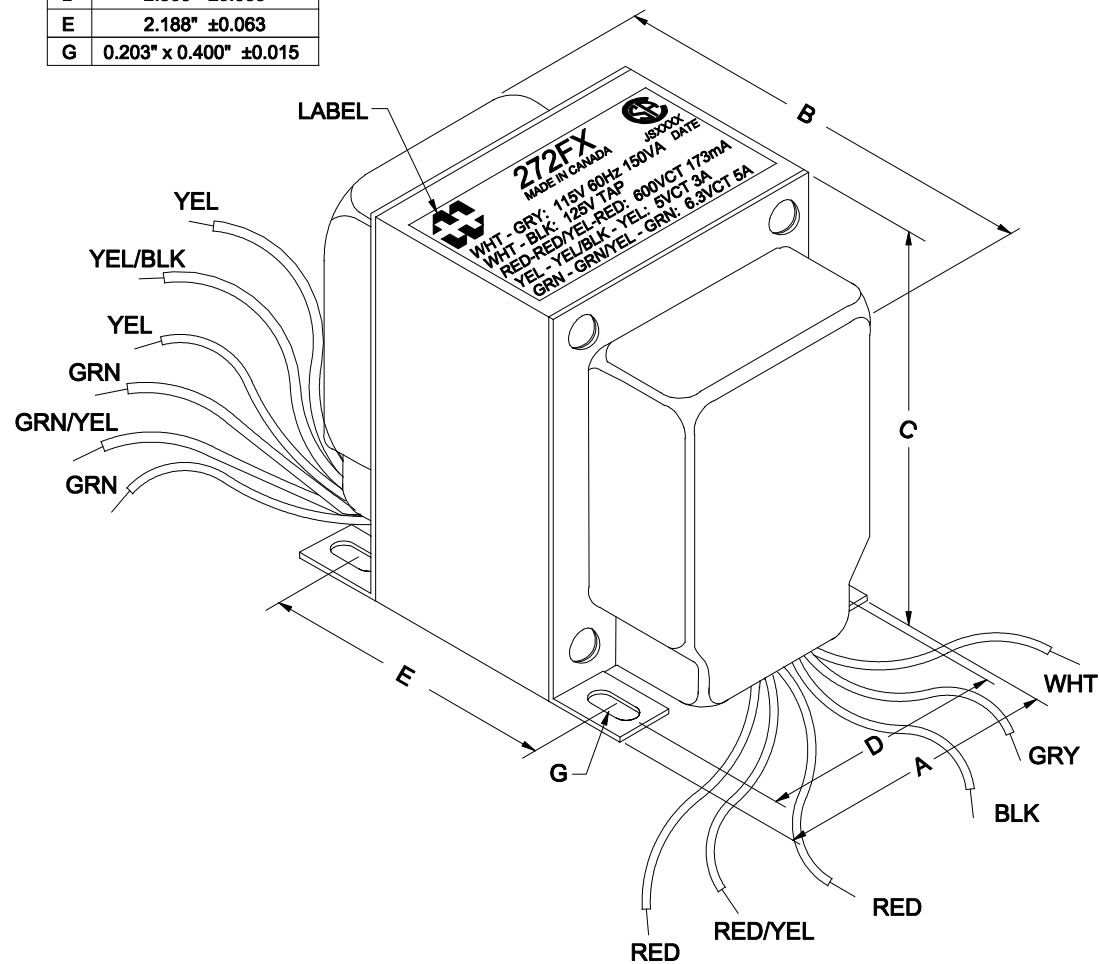
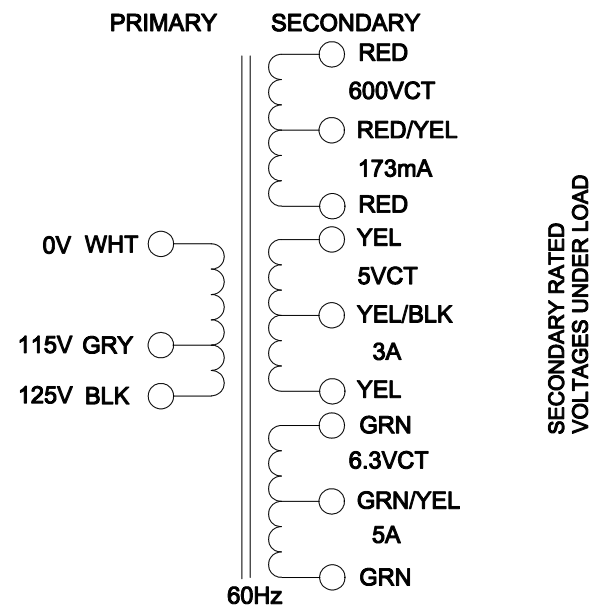


| DIMENSIONS: | |
|-------------|------------------------|
| A | 3.125" ±0.063 |
| B | 3.438" ±0.125 |
| C | 3.800" ±0.063 |
| D | 2.500" ±0.063 |
| E | 2.188" ±0.063 |
| G | 0.203" x 0.400" ±0.015 |



NOTE: ALL LEADS 6" OUT MIN. STRIPPED 0.5"



| ELECTRICAL DATA: | | |
|------------------|---------------------------------|---------------------|
| TESTS | CONDITIONS | ACCEPTANCE CRITERIA |
| lex | @ 125V, 60Hz, WHT - BLK | 239mA Max. |
| Sec. N.L.V | @ 125V, 60Hz, WHT - BLK | |
| | RED - RED = | 654.3V ±2% |
| | RED - RED/YEL = RED/YEL - RED = | 327.1V ±2% |
| | YEL - YEL = | 5.510V ±2% |
| | YEL - YEL/BLK = YEL/BLK - YEL = | 2.755V ±2% |
| | GRN - GRN = | 6.887V ±2% |
| | GRN - GRN/YEL = GRN/YEL - GRN = | 3.444V ±2% |
| DCR | @ 20°C, WHT - BLK = | 2.619 Ω ±20% |
| | @ 20°C, RED - RED = | 102.9 Ω ±20% |
| | @ 20°C, YEL - YEL = | 0.063 Ω ±20% |
| | @ 20°C, GRN - GRN = | 0.042 Ω ±20% |
| HIPOT | PRIMARY - SECONDARY | 2000V, 60Hz, 1 SEC |

| REV.# | REVISION | DATE |
|-------|----------------|----------|
| 0 | RELEASED. C.I. | 11/15/12 |

HAMMOND ELECTRONIC DIVISION
MANUFACTURING
 52 RANKIN PLACE, WATERLOO, ONTARIO, N2J 3Z5
 PH # (519) 886-6181
 FAX # (519) 886-9540

DWG. BY: C. ILIE CHK'D BY:
 DATE: 11/15/12 APP'D. BY:
 DIMENSIONS: IN(X) MM()

TITLE: POWER TRANSFORMER DWG. NO. 272FX