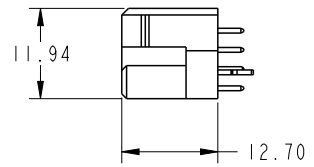
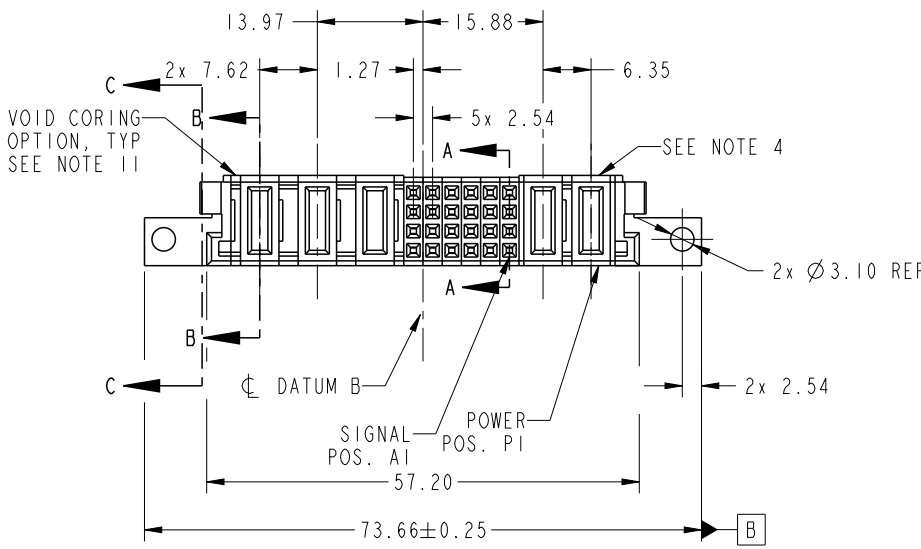
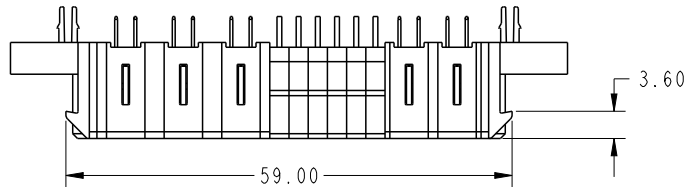


PRODUCT NO.	ROWS	POWER			SIGNAL						POWER	
		E2	P5	P4	P3	6	5	4	3	2	1	P2
51940-524-- NOTE: 3	D C B A											



CODE	DIM "M" MATING LENGTH	CONTACT TYPE
E	[N/A]	SIGNAL
PA	[1.07]	POWER
HA	[N/A]	HOLD-DOWN

spec ref	*	dr	Luo Weller	2014/03/02	projection	MM	size	A4	scale	1:1				
tolerance std	TOLERANCES UNLESS OTHERWISE SPECIFIED	eng	Luo Weller	2014/03/19			ecn no	-	-	rel level	Released			
SEE NOTE		chr	-	-	appr							Pei-Ming Zheng	2014/03/19	product family
surface	linear	0.X	±0.5		title	2P+24S+3ACP	dwg no	51940-524	rev	A				
		0.XX	±0.25								cat. no.	*	Product - Customer Drw	sheet 1 of 4
	angular	0°	±2°								www.fci.com			

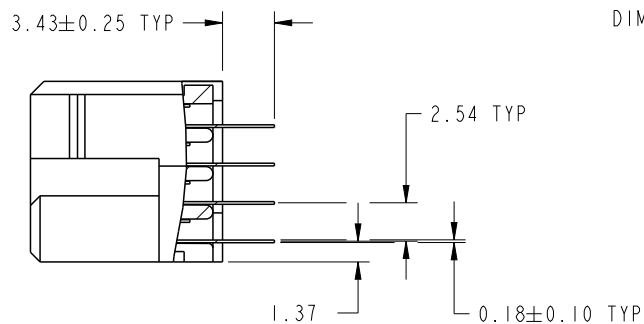


Copyright FCI.

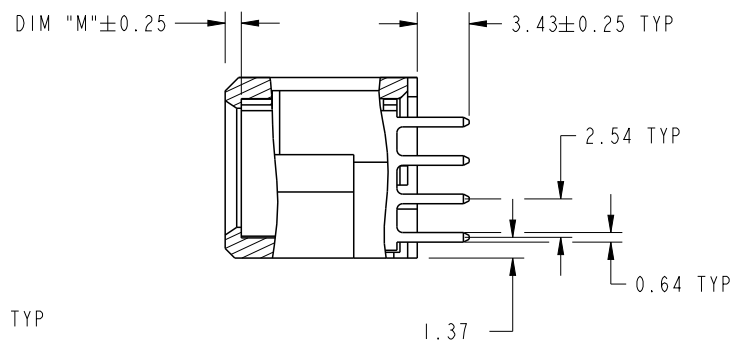
PrdE File - REV C - 2009-06-09

PRODUCT NUMBER

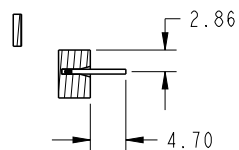
51940-524__
NOTE: 3



SECTION A-A
SCALE 2:1



SECTION B-B
SCALE 2:1



SECTION C-C

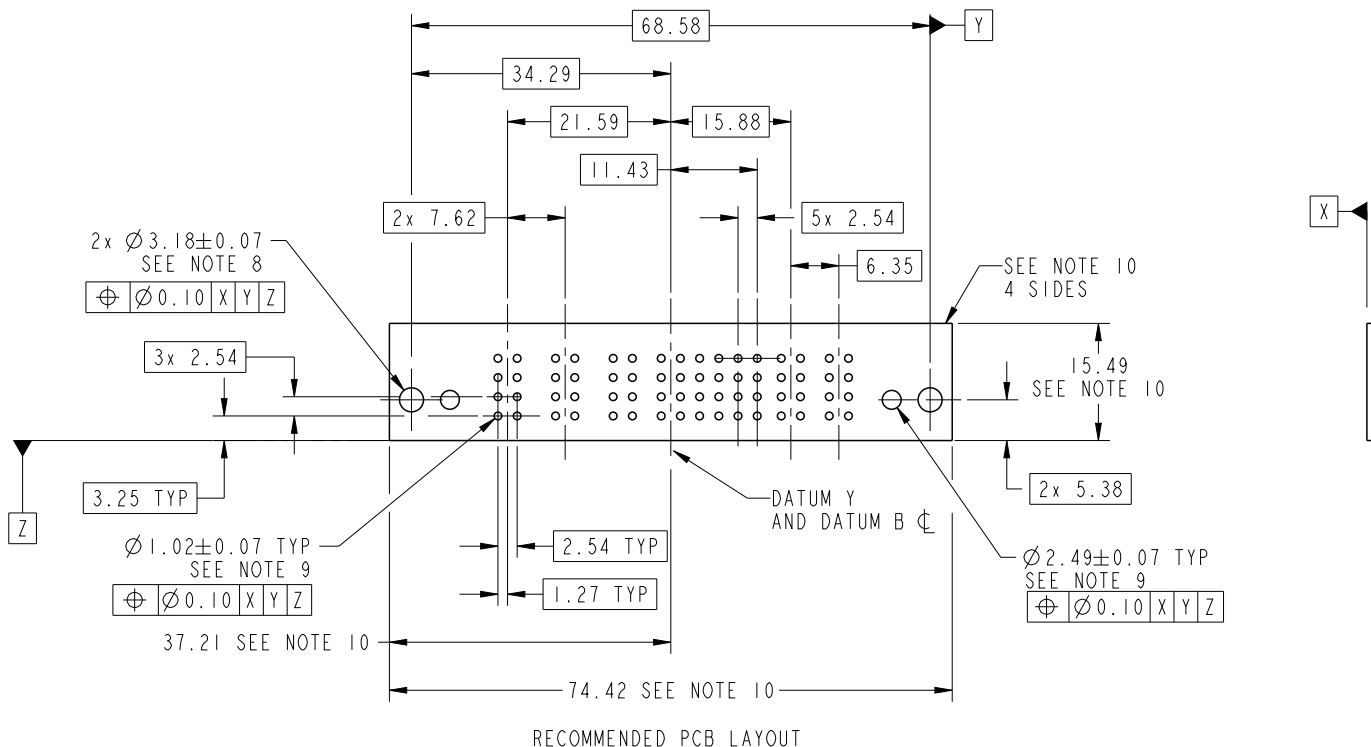
dr	Luo Weller	2014/03/02	projection 	MM 	size	A4	scale	1:1	
eng	Luo Weller	2014/03/19			ecn no	-			
chr	-	-			rel level	Released			
appr	Pei-Ming Zheng	2014/03/19	product family	PwrBlade					
		title	2P+24S+3ACP VERTICAL SOLDER RECEPT		dwg no	51940-524		rev	A
www.fci.com		cat. no.	*	Product - Customer Drw			sheet 2 of 4		



Copyright FCI.

PRODUCT NUMBER

51940-524__
NOTE: 3



dr	Luo Weller	2014/03/02	projection 	MM 	size	A4	scale	1:1
eng	Luo Weller	2014/03/19			ecn no	-		
chr	-	-			rel level	Released		
appr	Pei-Ming Zheng	2014/03/19	product family	PwrBlade	rev	A		
		title	2P+24S+3ACP VERTICAL SOLDER RECEPT		dwg no	51940-524	sheet 3 of 4	
www.fci.com		cat. no.	*	Product - Customer Drw	sheet 3 of 4			



PRODUCT NUMBER

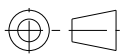
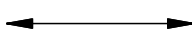

51940-524__
NOTE: 3

NOTES:

1. DIMENSIONS AND TOLERANCES ARE IN ACCORDANCE WITH ASME Y14.5M, 1994 UNLESS OTHERWISE SPECIFIED.

CONNECTOR NOTES:

- 2 HOUSING MATERIAL: UL 94 V-0 GLASS FILLED HIGH-TEMP THERMOPLASTIC
POWER CONTACT MATERIAL: COPPER ALLOY
SIGNAL PIN MATERIAL: COPPER ALLOY
- 3. SEE ITEM 5 & 6 IN PRINT 10064183 FOR PLATING SPEC OF 51940-524 AND 51940-524LF RESPECTIVELY.
- 4 MANUFACTURER'S NAME, DATE CODE AND OPTIONAL P/N TO APPEAR ON THIS SURFACE. THE MARK CAN BE OMITTED IF THERE IS NOT ENOUGH SPACE ON THIS SURFACE.
- 5. PRODUCT SPECIFICATION GS-12-149.
APPLICATION SPECIFICATION BUS-20-067.
- 6. PACKAGED IN TRAYS.
- PCB NOTES:
- 7. ALL HOLE DIAMETERS ARE FINISHED HOLE SIZE.
- 8 MOUNTING HOLES, WHERE APPLICABLE, ARE UNPLATED.
- 9 $\varnothing 1.151 \pm 0.025$ DRILLED HOLES PLATED WITH
0.008 MIN SnPb OR Sn OVER 0.03
TO 0.08 Cu PLATING TO ACHIEVE
 $\varnothing 1.02 \pm 0.07$ HOLE.
- 10 CONNECTOR KEEP-OUT ZONE.
- 11. THE VOID CORING IN BETWEEN POWER MODULES, SIGNAL MODULES AND END MODULES ARE OPTIONAL AND THE SHAPE MAY BE DIFFERENT FOR OPTIMIZE THE MOLDING PROCESS. THE VOID CORING WILL NOT EFFECT TO PRODUCT FUNCTION.

dr	Luo Weller	2014/03/02	projection 	MM 	size	A4	scale	1:1
eng	Luo Weller	2014/03/19			ecn no	-		
chr	-	-			product family	PwrBlade	rel level	Released
appr	Pei-Ming Zheng	2014/03/19			title 2P+24S+3ACP VERTICAL SOLDER RECEPT	dwg no 51940-524	rev A	
www.fci.com		cat. no.	*	Product - Customer Drw		sheet 4 of 4		



Copyright FCI.