

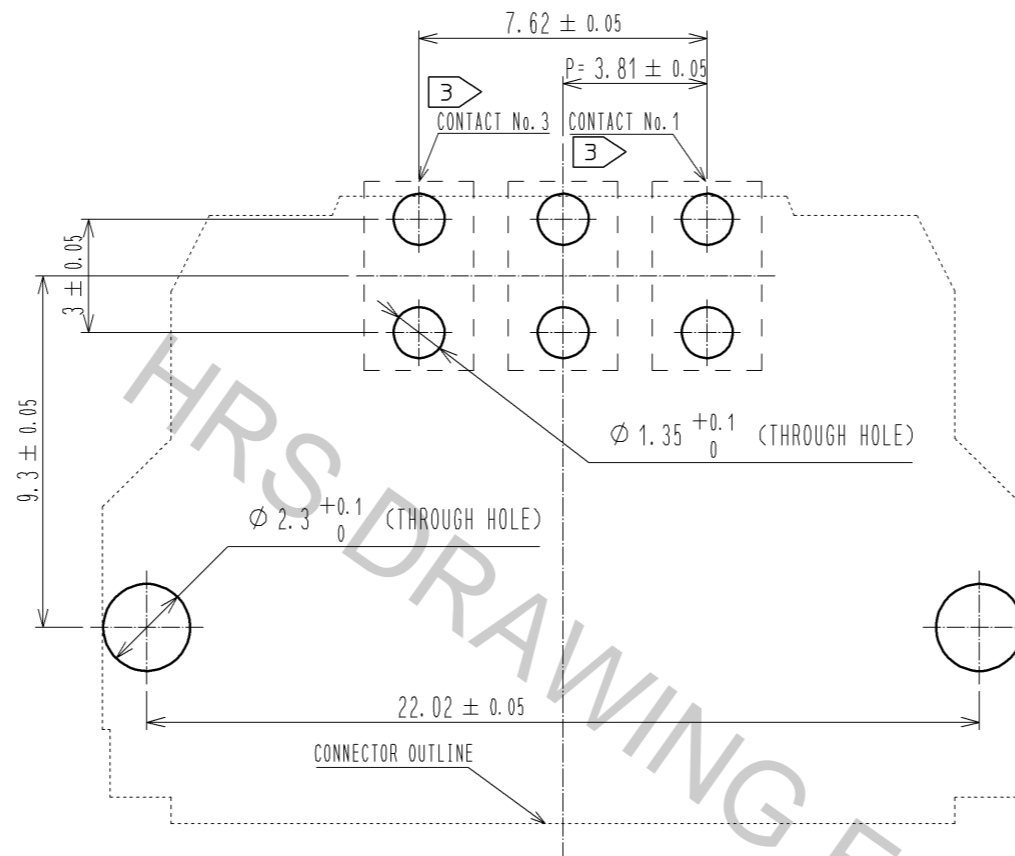
- NOTE
- 1 THIS PRODUCT IS PACKAGED IN TRAY.(30pcs/TRAY)
  - 2 BLEMISH AND HIT MARK CAN BE OCCURED THROUGH OUT THE MANUFACTURING PROCESS WHICH DOESN'T AFFECT QUALITY LEVEL.  
ALSO, BLACK SPOT COULD BE OBSERVED ON THE SURFACE OF HOUSING.
  - 3 FOR THE CONTACT NO., ADJACENT TWO PAIRS OF LEADS PLACED BACK-TO-BACK (4 LEADS IN TOTAL) COMPOSE ONE LINE.
  - 4 MISALIGNMENT ABSORBING RANGE:  $\pm 0.3$ mm max.
  - 5 THE DIMENSION IN PARENTHESES ARE FOR REFERENCES.
  - 6 LOT NO. IS INDICATED AT EITHER ONE OF THE POSITION AS SHOWN.
  - 7 POSSIBLE SHORT SHOT AND/OR BURR AT THE INDICATED AREA DOES NOT AFFECT THE PRODUCT QUALITY.

2	COPPER ALLOY	CONTACT AREA:GOLD-PLATING 0.1 $\mu$ m LEAD AREA:TIN-PLATING 1.0 $\mu$ m UNDER PLATING:NICKEL 1.0 $\mu$ m	4	PHOSPHOR BRONZE	TIN-PLATING 3.0 $\mu$ m UNDER PLATING:NICKEL 1.0 $\mu$ m
1	POLYAMIDE	BLACK UL94V-0	3	COPPER ALLOY	CONTACT AREA:GOLD-PLATING 0.1 $\mu$ m LEAD AREA:TIN-PLATING 1.0 $\mu$ m UNDER PLATING:NICKEL 1.0 $\mu$ m
NO.	MATERIAL	FINISH . REMARKS	NO.	MATERIAL	FINISH . REMARKS

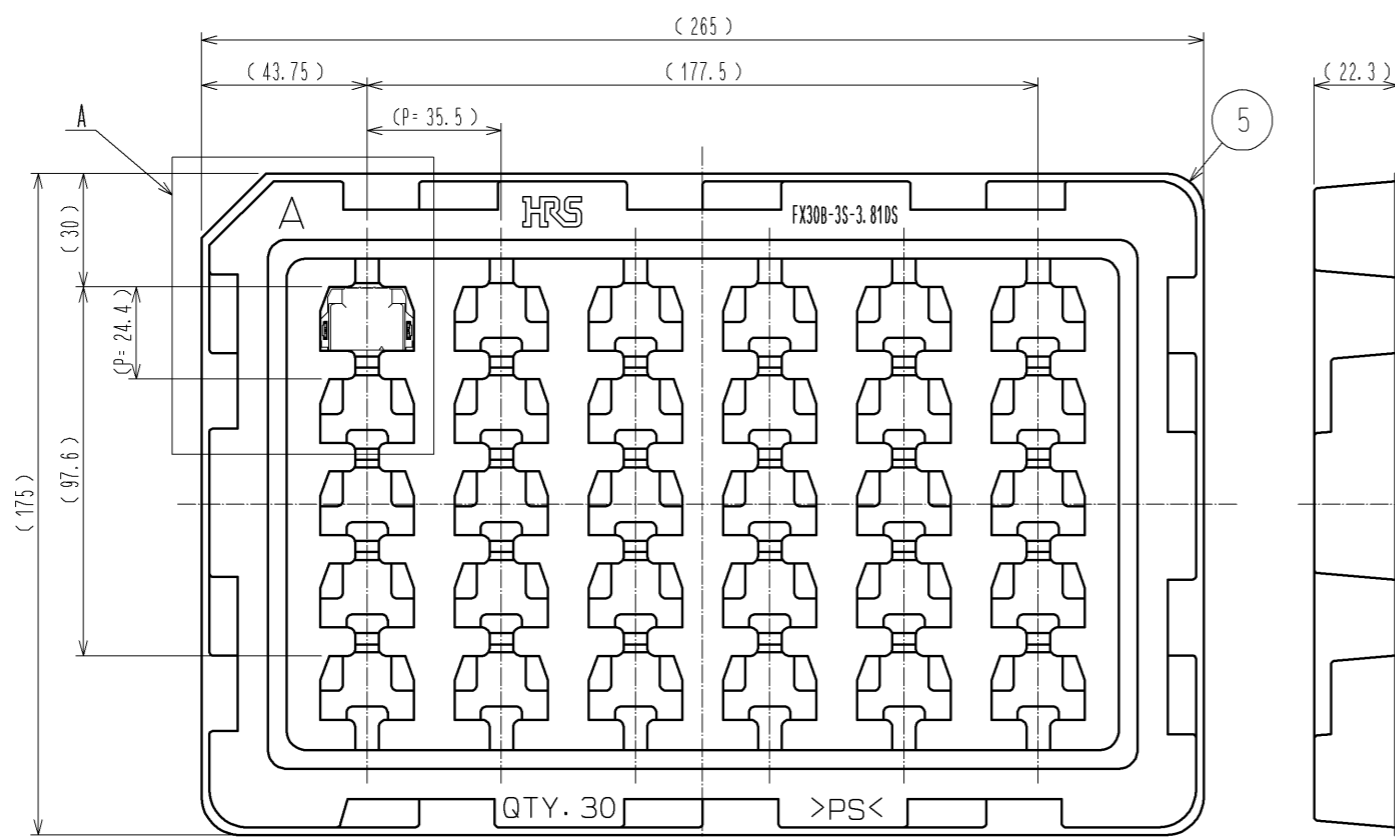
  

UNITS mm		SCALE 2 : 1	COUNT $\Delta$	DESCRIPTION OF REVISIONS	DESIGNED	CHECKED	DATE
APPROVED : HS. OKAWA 13.03.13				DRAWING NO.	EDC3-347277-00		
CHECKED : KI. HIROKAWA 13.03.12				PART NO.	FX30B-3S-3.81DS		
DESIGNED : DK. AIMOTO 13.03.11				CODE NO.	CL570-3601-9-00		
DRAWN : DK. AIMOTO 13.03.11				$\Delta$ 1/2			

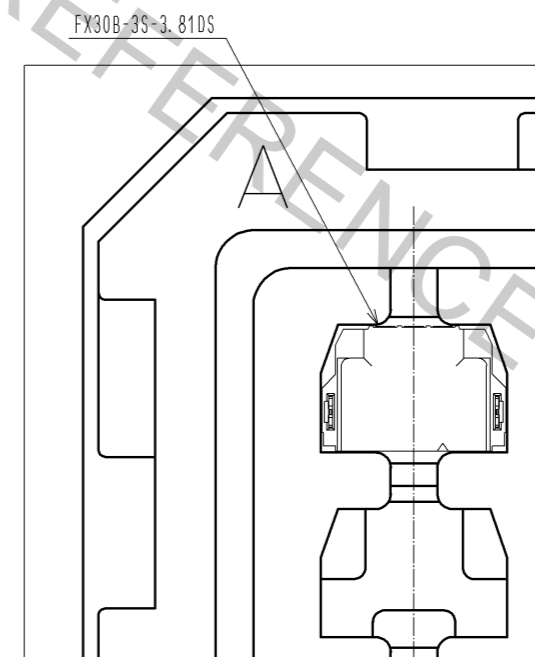
RECOMMENDED HOLE PATTERN DIMENSION OF PCB(5:1)  
 (CONNECTOR MOUNTING SIDE, PCB THICKNESS: t=1.6mm)



1 DRAWING FOR PACKAGING(1:2)



A(1:1)



<b>HRS</b>	DRAWING NO.	EDC3-347277-00	2/2
	PART NO.	FX30B-3S-3.81DS	
	CODE NO.	CL570-3601-9-00	