

MATERIALS AND FINISHES

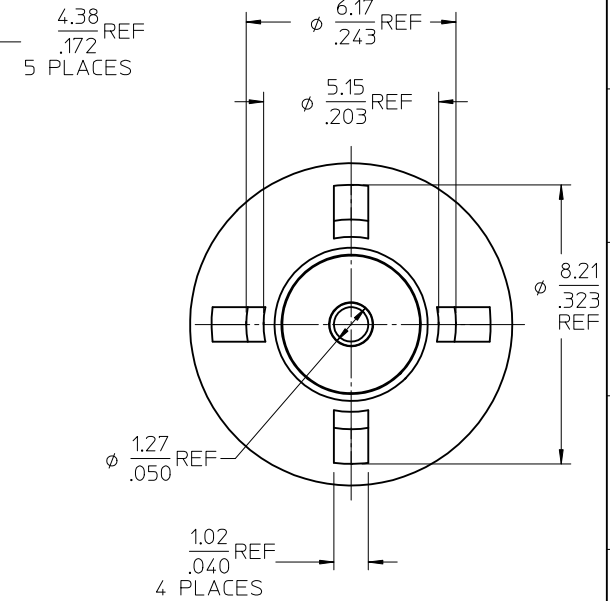
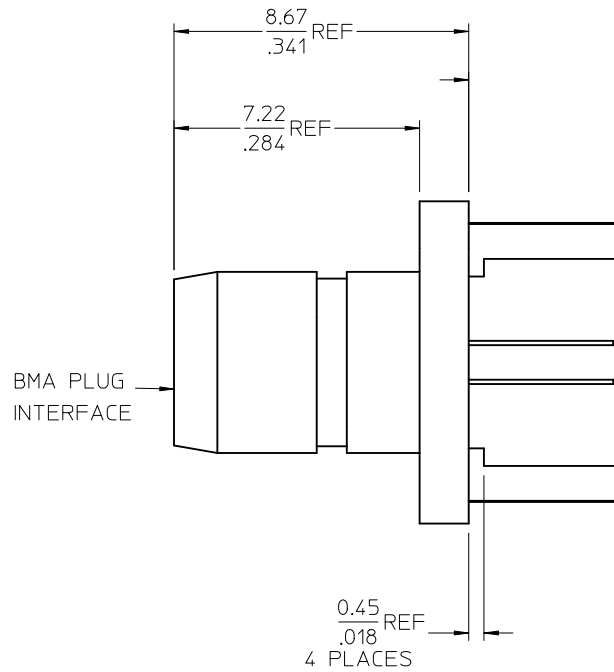
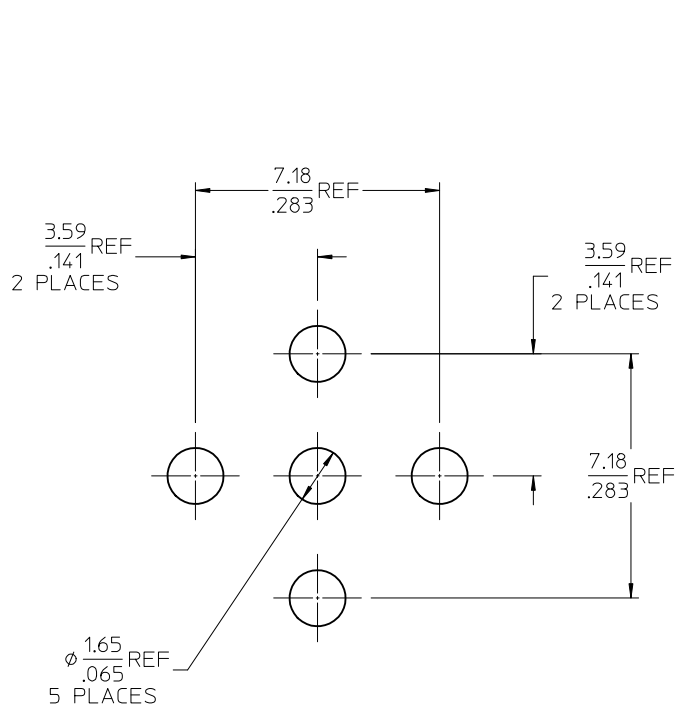
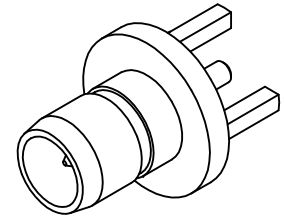
BODY BRASS  
PLATED GOLD

CENTER CONTACT BRASS  
PLATED GOLD

INSULATOR TEFLON

LABEL FORMAT FOR  
73298-0051

PART NUMBER: 73298-0050  
ORDER NUMBER: 73298-0051  
MOLEX  
DATE: YYWW



PS-89675-1840	ELECTRO/MECH SPEC
MIL-STD-348A, FIG. 321.1	INTERFACE
SPECIFICATION	DESCRIPTION

73298-0051	ONE PIECE 73298-0050 PER BAG
73298-0050	BULK
PART NO.	PACKAGING

<b>CHG: UPDATE LABEL FOR -0051</b> IEC NO: URF2012-0380 DRWN: BOMALLEY 2012/01/04 CHKD: AZR 2012/01/04 APPR: JWIENER 2012/01/04	QUALITY SYMBOLS ▽=0 ▽=0	GENERAL TOLERANCES (UNLESS SPECIFIED) mm INCH 4 PLACES ± --- ± --- 3 PLACES ± --- ± --- 2 PLACES ± --- ± --- 1 PLACE ± --- ± --- ANGULAR ± 2 °	DIMENSION STYLE MM/IN DRAWN BY DATE TEF 2005/02/09 CHECKED BY DATE SSS 2005/02/09 APPROVED BY DATE JDW 2005/02/09	SCALE DESIGN UNITS METRIC THIRD ANGLE PROJECTION	TITLE BMA PLUG, VERTICAL, PCB 50 OHMS, EWR-2709 BMA-P/PCB	MATERIAL NO. SEE TABLE	DOCUMENT NO. SD-73298-005	SHEET NO. 1 OF 1