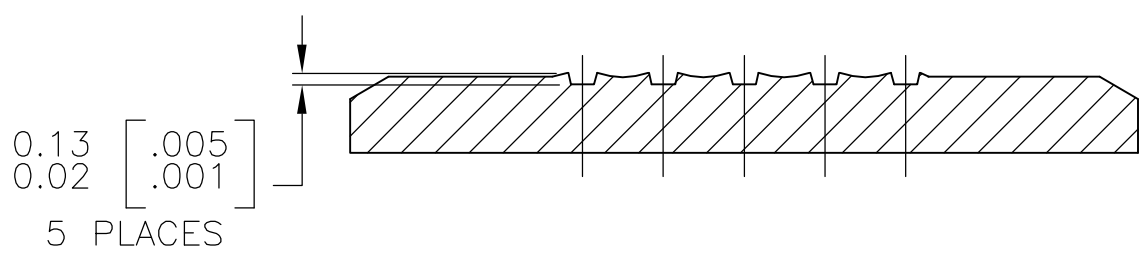
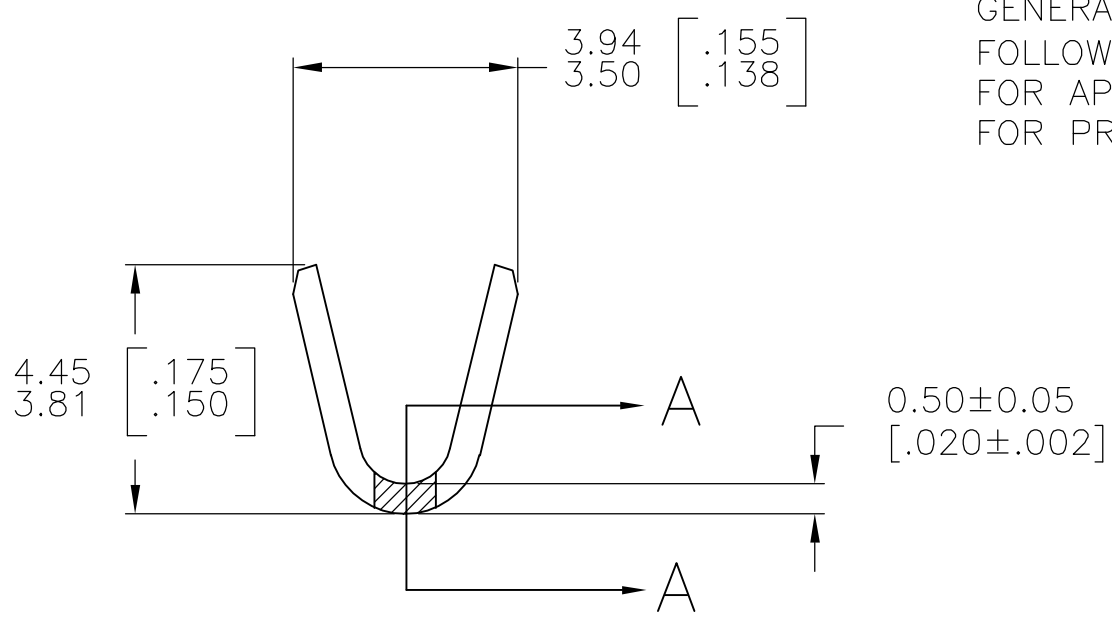
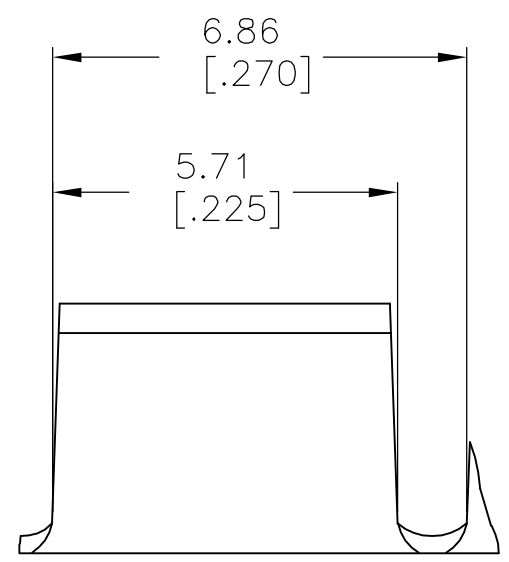
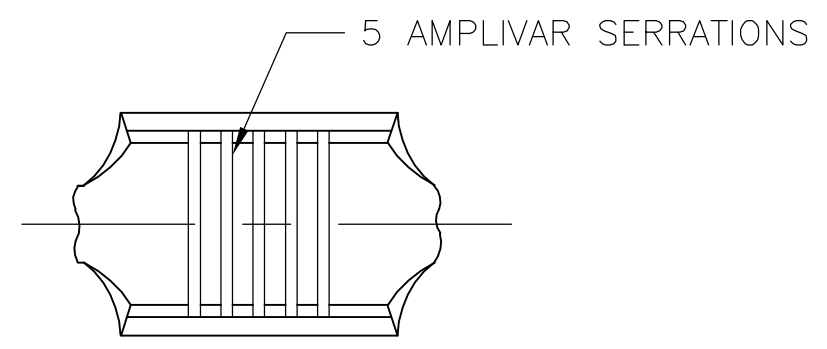


THIS DRAWING IS UNPUBLISHED. RELEASED FOR PUBLICATION  
 © COPYRIGHT BY TYCO ELECTRONICS CORPORATION. ALL RIGHTS RESERVED.

LOC	DIST	REVISIONS					
		P	LTR	DESCRIPTION	DATE	DWN	APVD
AF	50		F1	ECR-06-023927(REDRAWN IN AUTOCAD)	29JUN06	HMR	GP



SECTION A-A  
SCALE 20:1

- 1 CONTINUOUS STRIP ON REELS.
- 2 DIMENSIONS IN BRACKETS ARE IN INCHES.
- 3 FOR ADDITIONAL INFORMATION, SEE APPLICATION SPEC. 114-2009.
- 4 WIRE RANGE: 1500 - 5000 CMA.
- 5 CRIMP WIDTH: .110 F TYPE (AMPLIVAR THRU)  
 CRIMP HEIGHT (±.002)=(TOTAL CMA+10,700)/193,400  
 GENERAL APPLICATION GUIDELINES MUST BE FOLLOWED AS SPECIFIED IN CATALOG #82221  
 FOR APPLICATOR INFORMATION CALL:1-800-722-1111  
 FOR PRODUCT INFORMATION CALL:1-800-522-6752

OBSOLETE	FORGIEN PRODUCTION ONLY	TIN PLATE	42119-2
		-	42119-1
		FINISH	PART NO

THIS DRAWING IS A CONTROLLED DOCUMENT.		DWN RAGHAVENDRA 29JUN06	Tyco Electronics Corporation Harrisburg, PA 17105-3608	
DIMENSIONS: mm [INCHES]	TOLERANCES UNLESS OTHERWISE SPECIFIED:	CHK G.D.PORTA	NAME	
	0 PLC ± -	APVD G.D.PORTA	PRODUCT SPEC	
	1 PLC ± -		APPLICATION SPEC	
	2 PLC ± -		SIZE CAGE CODE DRAWING NO RESTRICTED TO	
	3 PLC ± 0.38 [.015]		A3 00779 C-42119	
	4 PLC ± -		SCALE 8:1 SHEET 1 OF 1 REV F1	
	ANGLES ± 1° 0'			
MATERIAL BRASS	FINISH SEE TABLE	WEIGHT -	CUSTOMER DRAWING	