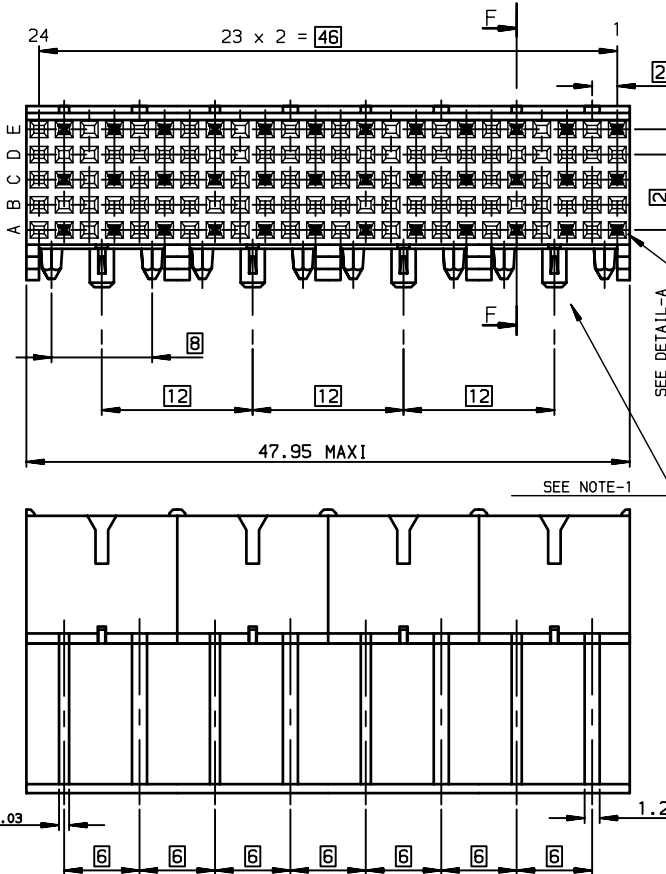
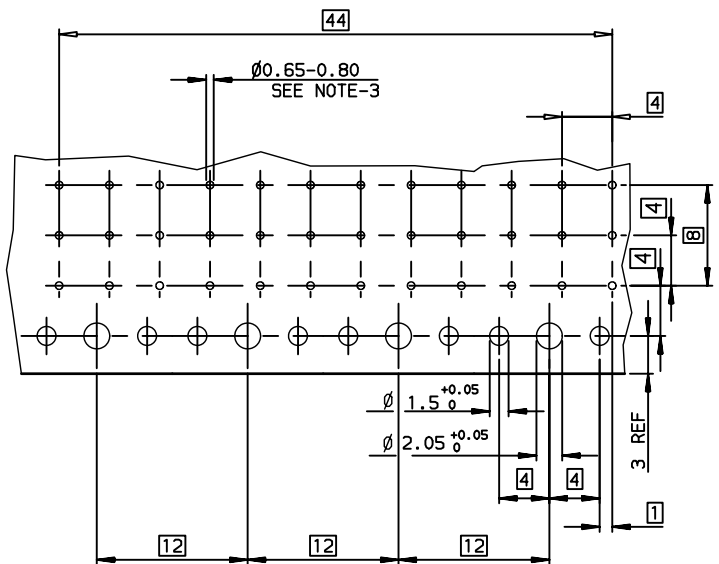
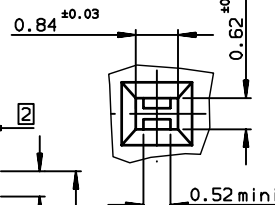


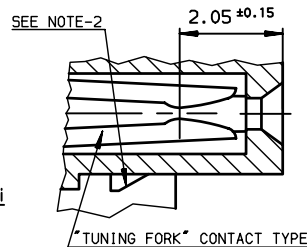
LAYOUT FOR P.C.B



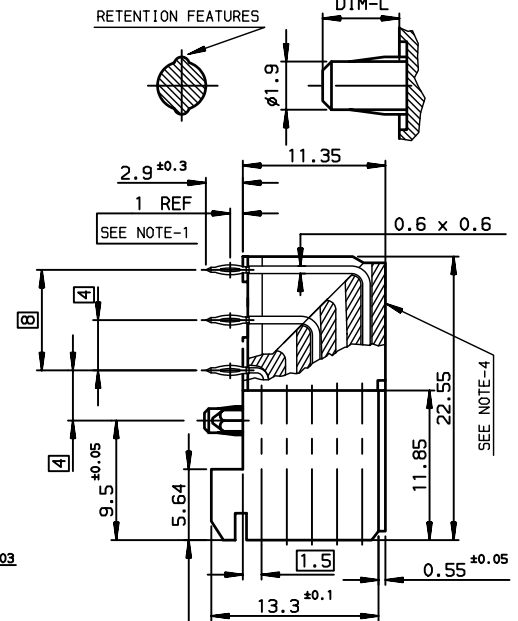
DETAIL-A



SECTION-FF



DETAIL OF PRESS-IN PEGS



TIN LEAD PART NUMBER

Part Number: HM1F53FDPA78H6

LEAD-FREE PART NUMBER

Part Number: HM1F53FDPA78H6LF

SPECIFIC DATAS: SELECTIVE CONTACTS LOADING

- 12 CTS IN A1-A3-A5-A7-....
- 12 CTS IN C1-C3-C5-C7-....
- 12 CTS IN E1-E3-E5-E7-....

NOTE-1: "EYE OF THE NEEDLE" PRESS-FIT PIN TYPE

NOTE-2: PLUG FOR CODING KEY FIXING

NOTE-3: P.C.B HOLES DEFINITION, SEE GS-12-447

NOTE-4: INSERTION TOOLING ON PCB, SEE DRAWING REF C-8626-1003

NOTE-5: STANDARD PACKAGING IS IN TUBE , BUT IF SUFFIX "P"

IS ADDED IN P/N , PACKAGING IS IN TRAYS , BUT CONNECTOR MARKING IS WITHOUT "P"

ExampLe: HM1FxxxxxxxH6PLF, marking: HM1FxxxxxxxH6LF

GENERAL CHARACTERISTICS AND ROHS INFORMATIONS:

SEE GS-12-447

European Views

www.fciconnect.com		surface ISO 1302 ✓	tolerance std ISO 406 ISO 1101	projection mm
TOLERANCES UNLESS OTHERWISE SPECIFIED				
ANGULAR	LINEAR	0.X	±0.1	size A3
0.XX	±2'	0.XX	±0.1	Scale 2.5
0.XXX	±0.1	0.XXX	±0.1	ECN LS07-0266
Product family METRAL			Spec ref -	
title METRAL FEMALE RA PRESS-FIT -36 CTS				Rev. E
catalog no SPECIFIC FOR ALCATEL USA				dwg no C-8626-0980
				CUSTOMER sheet 1 of 1

rev	ecn no	dr	date
A	-	ETI	1999/08/12
B	LS05-004	MLE	2005/02/11
C	LS06-0095	LGO	2006/07/14
D	LS06-0159	MLE	2006/10/20
E	LS07-0266	MLE	2007/11/09
-	-	-	-
-	-	-	-