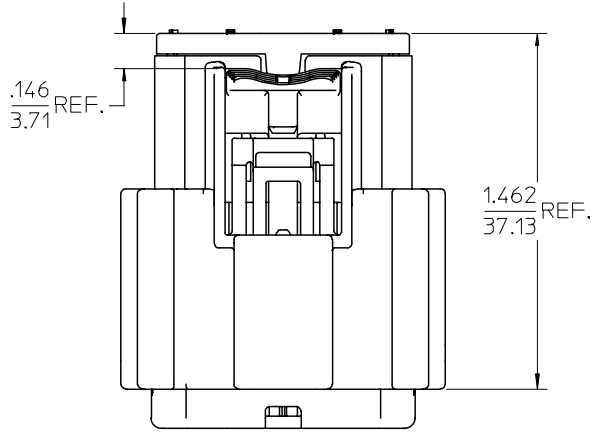
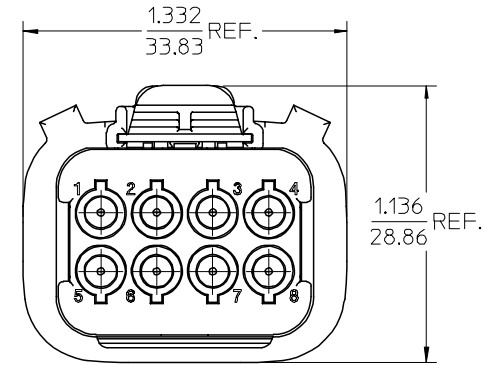
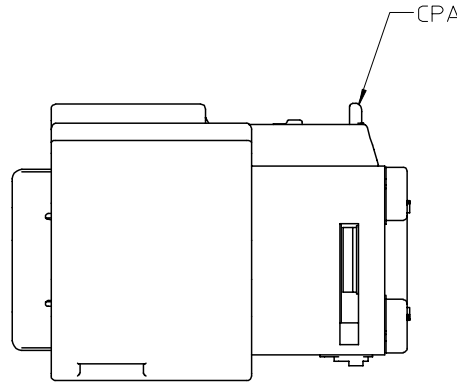
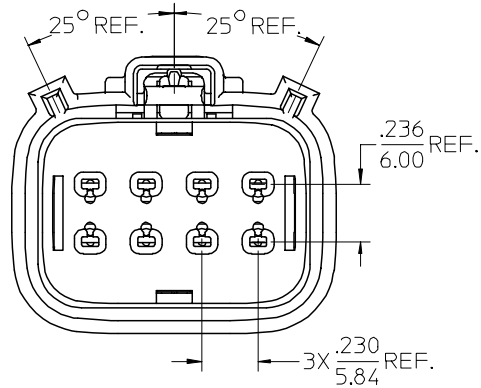
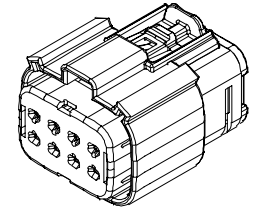


10 9 8 7 6 5 4 3 2 1



19418-0069	16-14	NO
19418-0070	22-18	
19418-0066	16-14	YES
19418-0067	22-18	
MATERIAL NUMBER	UL WIRE AWG	CPA



NOTES:

- MATERIALS:
HOUSING: POLYESTER (PBT), GLASS FILLED, UL94 V-0,
COLOR: GREEN.
SEALS: SILICONE RUBBER.
- PRODUCT SPECIFICATION: PS-19417-001.
- PACKAGING SPECIFICATION: PK-19418-001.
- MATES WITH: 19419 SERIES PLUG ASSEMBLIES.
- USE CONNECTOR WITH FEMALE CRIMP TERMINAL SERIES 19420.

RELEASED EC NO: A	DESCRIPTION 2005/09/09 DRW:JPAMLCK 2005/09/12 CHKD:JPAMLCK 2005/09/12 APPR:JPAMLCK	QUALITY SYMBOLS	GENERAL TOLERANCES (UNLESS SPECIFIED)	DIMENSION STYLE	SCALE	DESIGN UNITS	THIRD ANGLE PROJECTION															
		$\nabla=0$ $\nabla=0$	<table border="1"> <thead> <tr> <th></th> <th>mm</th> <th>INCH</th> </tr> </thead> <tbody> <tr> <td>4 PLACES</td> <td>± ---</td> <td>± ---</td> </tr> <tr> <td>3 PLACES</td> <td>± ---</td> <td>± .15</td> </tr> <tr> <td>2 PLACES</td> <td>± 0.38</td> <td>± ---</td> </tr> <tr> <td>1 PLACE</td> <td>± ---</td> <td>± ---</td> </tr> </tbody> </table>		mm	INCH	4 PLACES	± ---	± ---	3 PLACES	± ---	± .15	2 PLACES	± 0.38	± ---	1 PLACE	± ---	± ---	IN/MM	2:1	INCH	
			mm	INCH																		
		4 PLACES	± ---	± ---																		
3 PLACES	± ---	± .15																				
2 PLACES	± 0.38	± ---																				
1 PLACE	± ---	± ---																				
	<table border="1"> <thead> <tr> <th>DRAWN BY</th> <th>DATE</th> </tr> </thead> <tbody> <tr> <td>JPAWLICKI</td> <td>09/01/05</td> </tr> <tr> <th>CHECKED BY</th> <th>DATE</th> </tr> <tr> <td>JPAWLICKI</td> <td>09/02/05</td> </tr> <tr> <th>APPROVED BY</th> <th>DATE</th> </tr> <tr> <td>RDEROSS</td> <td>09/06/05</td> </tr> </tbody> </table>	DRAWN BY	DATE	JPAWLICKI	09/01/05	CHECKED BY	DATE	JPAWLICKI	09/02/05	APPROVED BY	DATE	RDEROSS	09/06/05	TITLE	8 WAY RECEPTACLE ASSEMBLY, KEY D POLARIZATION							
DRAWN BY	DATE																					
JPAWLICKI	09/01/05																					
CHECKED BY	DATE																					
JPAWLICKI	09/02/05																					
APPROVED BY	DATE																					
RDEROSS	09/06/05																					
		DRAFT WHERE APPLICABLE MUST REMAIN WITHIN DIMENSIONS	SEE CHART	MATERIAL NO.	DOCUMENT NO.	SHEET NO.																
			SIZE B	THIS DRAWING CONTAINS INFORMATION THAT IS PROPRIETARY TO MOLEX INCORPORATED AND SHOULD NOT BE USED WITHOUT WRITTEN PERMISSION			1 OF 1															

9 8 7 6 5 4 3 2 1