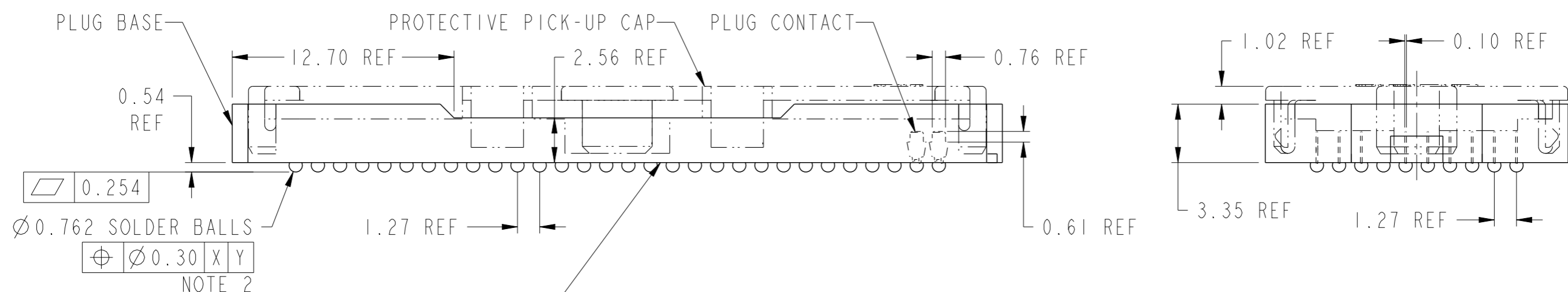
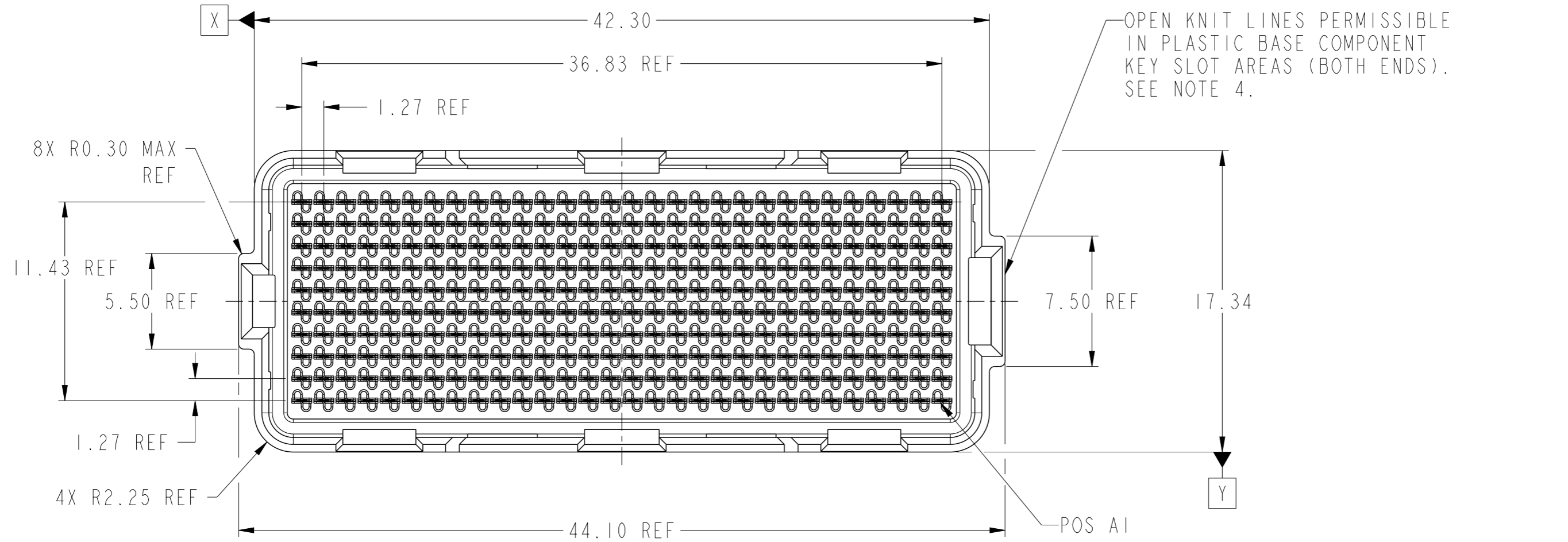


PRODUCT NUMBER  
10122562-092LF



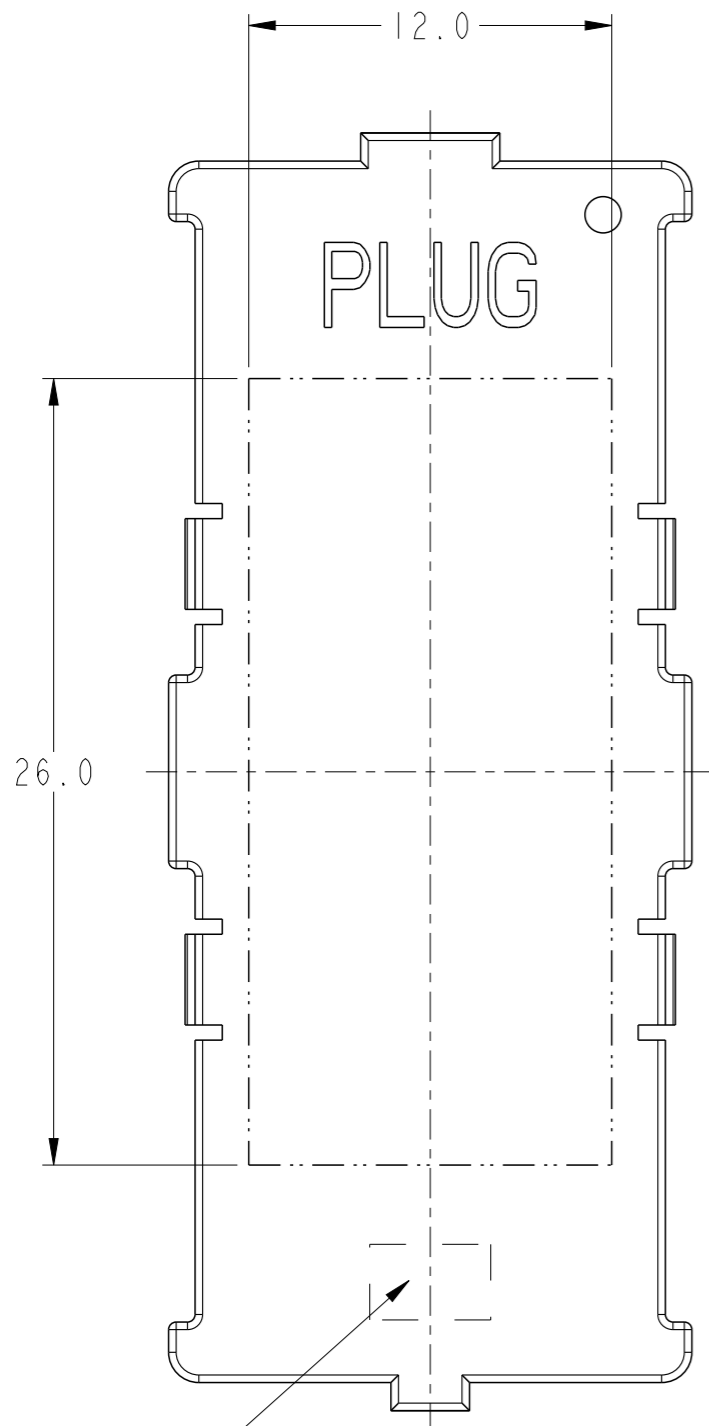
CONTINUOUS OPEN KNIT LINE CRACKS (TRAVERSING THE ENTIRE BODY LENGTH OF THE CONNECTOR) WHICH CAUSE CRITICAL-TO-FUNCTION DIMENSIONAL CHANGES THAT AFFECT THE CONNECTORS MECHANICAL ALIGNMENT FEATURES ARE NOT PERMISSIBLE. SEE NOTE 4.

spec ref	-	dr	S Jaganathan	2012/08/31	projection	MM	size	A3	scale	1:1
tolerance std	ASME Y14.5	eng	Dave Horchler	2013/10/23			ecn no	REL LEVEL		10122562 rev C
	TOLERANCES UNLESS OTHERWISE SPECIFIED	chr	-	2013/10/23						
surface	linear	0.X	±0.3		Omm PLUG ASSEMBLY (BLACK) 10 X 30 = 300 POSITIONS		cat. no.	Product - Customer Drw	sheet 1 of 5	
		0.XX	±0.10							
		0.XXX	±0.050							
ASME Y14.5	angular	0°	±2°	www.fci.com	PDS: Rev :C		STATUS:Released		Printed: Oct 24, 2013	



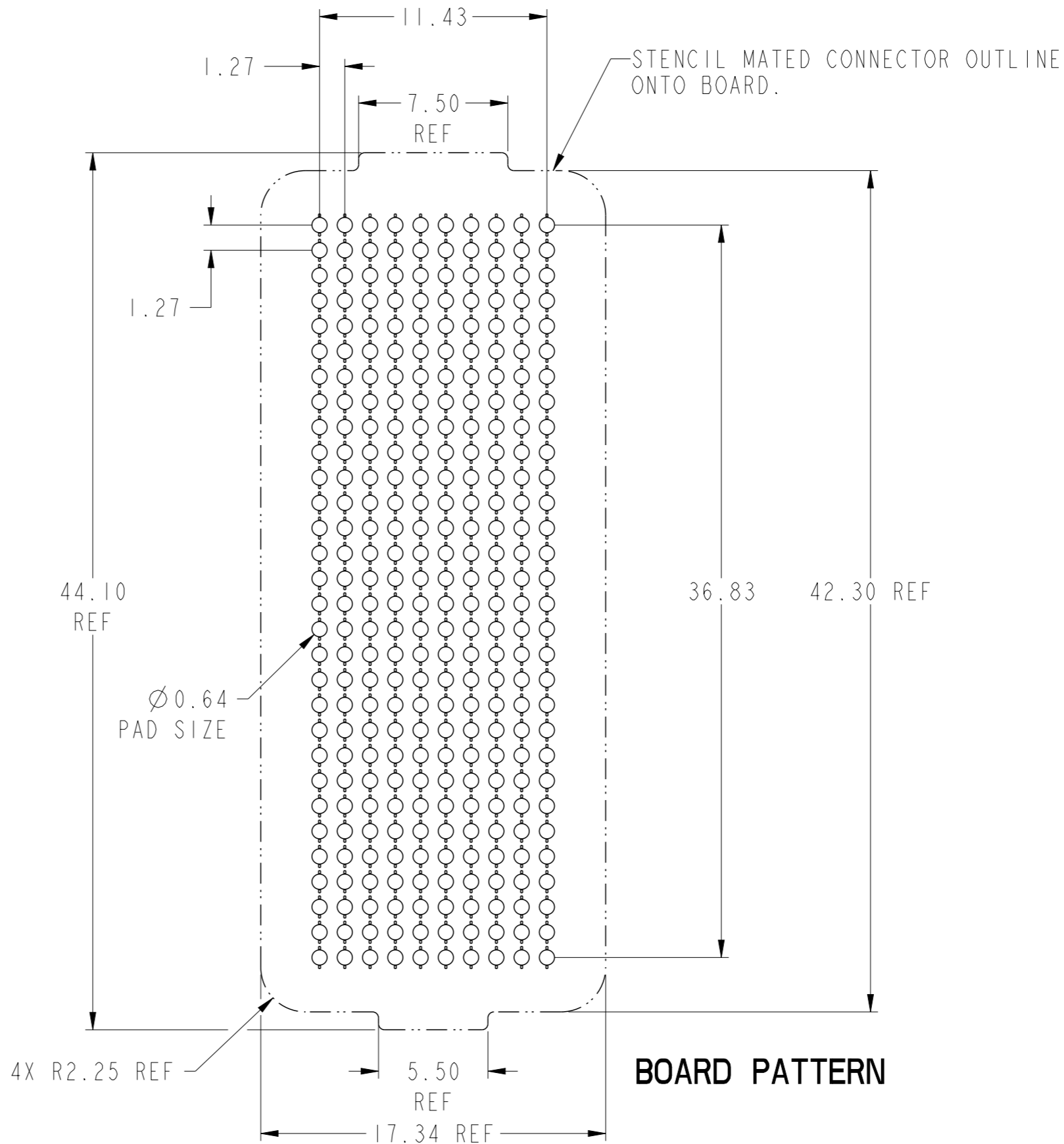
Copyright FCI.

PRODUCT NUMBER  
10122562-092LF



NOTE 7

FLAT AREA FOR  
PICK-UP CAP

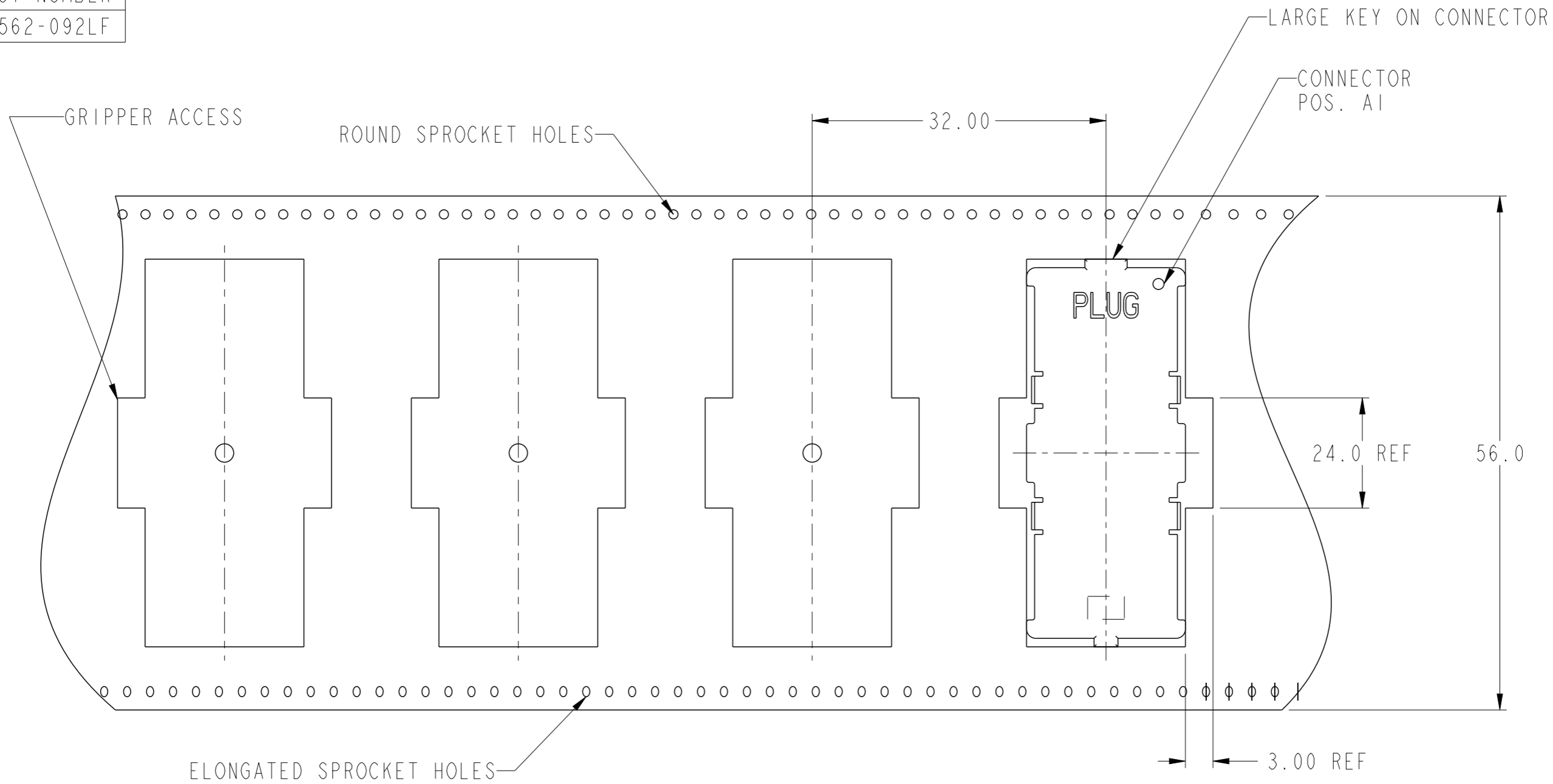


spec ref	-	dr	S Jaganathan	2012/08/31	projection	MM	size	A3	scale	1:1
tolerance std	ASME Y14.5	eng	Dave Horchler	2013/10/23			ecn no	rel level	Released	rev C
TOLERANCES UNLESS OTHERWISE SPECIFIED		chr	-	-						
surface	linear 0.X ±0.3 0.XX ±0.10 0.XXX ±0.050	appr	R Marshall	2013/10/23	Omm PLUG ASSEMBLY (BLACK) 10 X 30 =300 POSITIONS		dwg no 10122562			
ASME Y14.5	angular	0°	±2°	www.fci.com	cat. no.	Product - Customer Drw	sheet 2 of 5			



Copyright FCI.

PRODUCT NUMBER  
10122562-092LF



DE-REEL DIRECTION



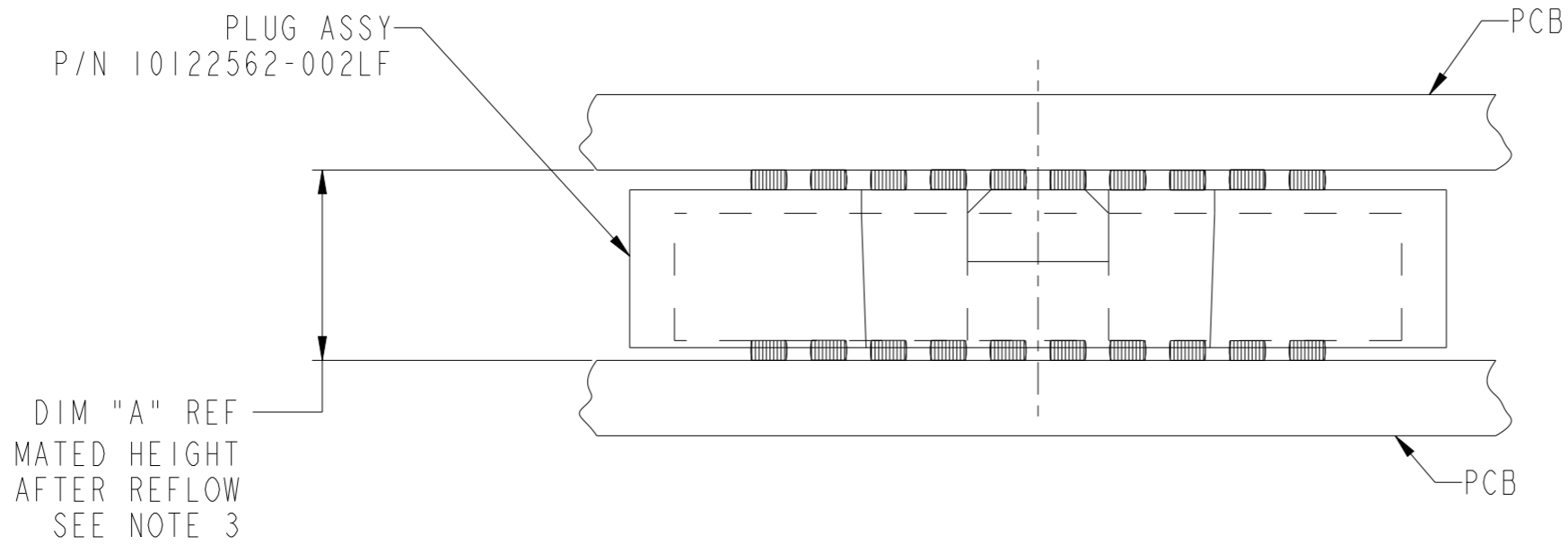
TAPE & REEL PACKAGING  
PER EIA 481-3  
SCALE NONE

Copyright FCI.



spec ref	-	dr	S Jaganathan	2012/08/31	projection	MM	size	A3	scale	1:1
tolerance std	ASME Y14.5	eng	Dave Horchler	2013/10/23			ecn no	ELX-V-16128-1		
		chr	-				rel level	Released		
surface	3.20 linear	appr	R Marshall	2013/10/23	product family	MEG-ARRAY		rel level	Released	
					title	Omm PLUG ASSEMBLY (BLACK)		dwg no	84504	
						10 X 30 = 300 POSITIONS		rev	C	
ASME Y14.5	angular				www.fci.com	cat. no.	-	Product - Customer Drw	sheet 3 of 5	

PRODUCT NUMBER  
10122562-092LF



MATED HEIGHT AFTER REFLOW IS BASED ON  $\varnothing$  0.64mm PAD (METAL-DEFINED)  
AND 0.13mm SOLDER PASTE STENCIL THICKNESS. SEE NOTE 3

**END VIEW - MATED CONNECTORS**  
SCALE NONE

Copyright FCI.

spec ref	-	dr	S Jaganathan	2012/08/31	projection	MM	size	A3	scale	1:1
tolerance std	ASME Y14.5	eng	Dave Horchler	2013/10/23			ecn no		ELX-V-16128-1	
		chr	-					rel level		Released
surface	3.20 linear	appr	R Marshall	2013/10/23	product family	MEG-ARRAY	dwg no		84504	rev
ASME Y14.5	angular			0mm PLUG ASSEMBLY (BLACK) 10 X 30 = 300 POSITIONS		cat. no. -		Product - Customer Drw		sheet 4 of 5

PRODUCT NUMBER

10122562-092LF

NOTES:

- ① MATERIAL:  
HOUSING: LCP-BLACK  
CONTACT: COPPER ALLOY  
  
PLATING:  
CONTACT: 15μ" (0.38μm) GXT OVER Ni UNDERPLATE  
(GOLD SUBSTITUTION PERMISSABLE)  
SOLDER BALL: LEAD FREE 95.5Sn/4Ag/0.5Cu
- ② SOLDER BALLS WILL NOT HAVE PERFECT SPHERICAL SHAPES DUE TO REFLOW ATTACHMENT.
- ③ MATED HEIGHT EFFECTED BY CUSTOMER'S PCB PAD SIZE, PLATING, SOLDER REFLOW PROFILE, & SOLDER PASTE.
- ④ FOR PROPER APPLICATION FOLLOW FCI APPLICATION SPECIFICATION GS-20-033 LEAD FREE SOLDER BALLS WILL NOT SOLDER PROPERLY IN A LEADED SOLDER PROCESS DUE TO A HIGHER REFLOW TEMPERATURE. LEAD FREE PRODUCT IS THEREFORE NOT BACKWARDS COMPATIBLE WITH LEADED OR SOME SOLDERING APPLICATIONS. REFERENCE FCI APPLICATION SPECIFICATION.
- ⑤ THIS PRODUCT MEETS EUROPEAN UNION DIRECTIVES AND OTHER COUNTRY REGULATIONS AS DESCRIBED IN GS-47-0004 PRODUCT MEETING THIS DIRECTIVE IS IDENTIFIED IN THE LOT CODE NUMBER MARKED ON EACH PART BY HAVING AN "X" IN THE SEVENTH CHARACTER POSITION.
- ⑥ CURRENT COMPANY LOGO TO BE VISIBLE IN APPROXIMATE AREA SHOWN.
- ⑦ SEE PRODUCT SPEC GS-12-100 FOR TEST AND PERFORMANCE INFORMATION.



Copyright FCI.

spec ref	-	dr	S Jaganathan	2012/08/31	projection	MM	size	A3	scale	1:1	
tolerance std	ASME Y14.5	eng	Dave Horchler	2013/10/23		← →	ecn no		ELX-V-16128-1		
	TOLERANCES UNLESS OTHERWISE SPECIFIED	chr	-	-			product family	MEG-ARRAY	rel level		Released
surface	3.20 linear	appr	R Marshall	2013/10/23		Omm PLUG ASSEMBLY (BLACK) 10 X 30 =300 POSITIONS	dwg no	84504		rev	C
	0.X ±0.3										
	0.XX ±0.10										
	0.XXX ±0.050										
ASME Y14.5	angular				www.fci.com	cat. no.	-	Product - Customer Drw		sheet 5 of 5	