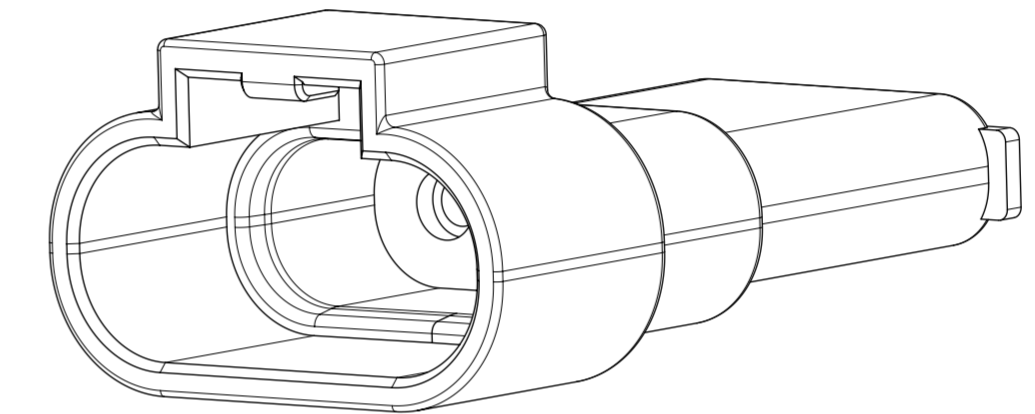
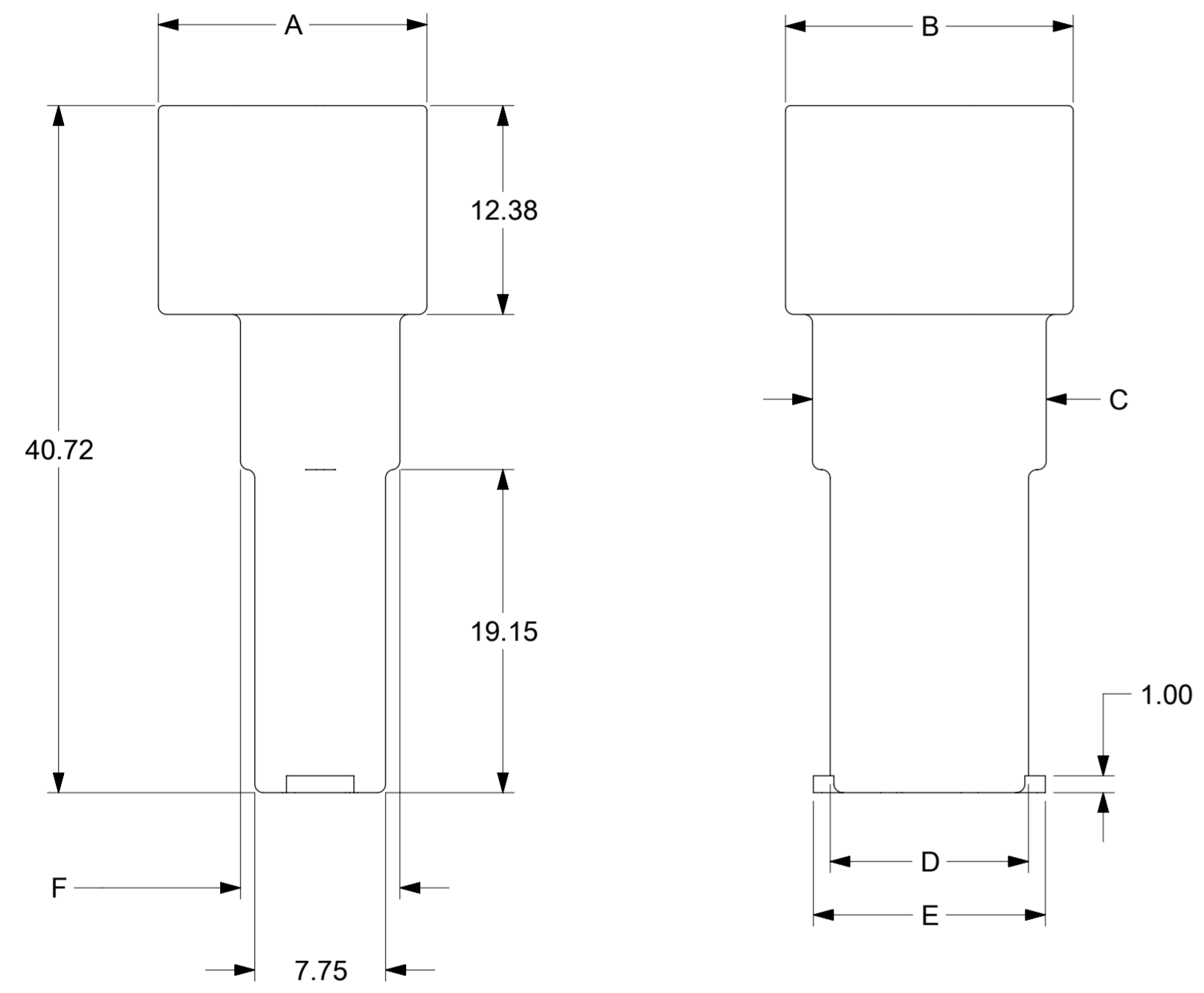


ISOMETRIC VIEW
CIRCUIT 1X2

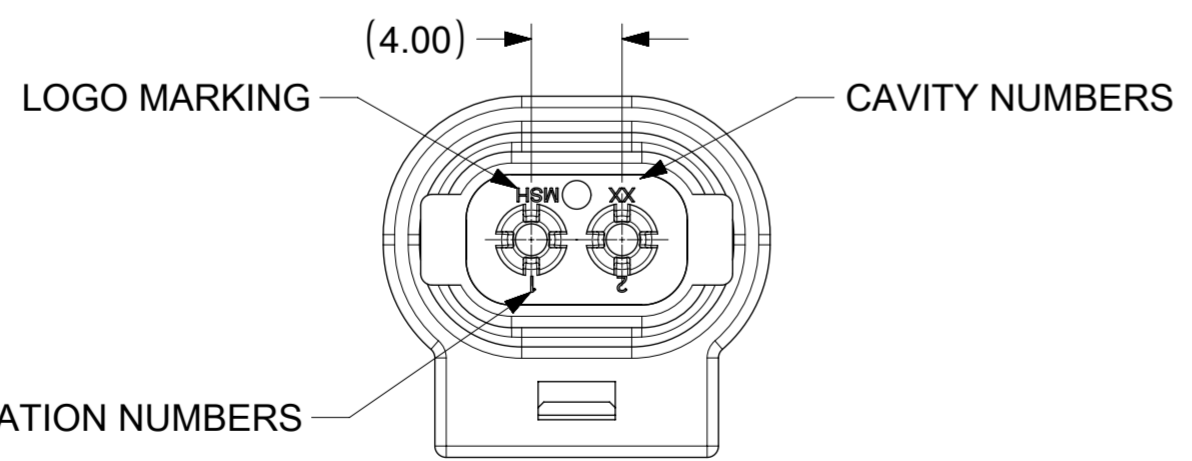
ISOMETRIC VIEW
CIRCUIT 1X3



ISOMETRIC VIEW
CIRCUIT 1X4

NOTES:

1. HOUSING MATERIAL PP UL94 V-0, COLOR:NATURAL
2. SEALING MATERIAL: TPE, COLOR:BLACK
3. MATES WITH RECEPTACLE HOUSING SERIES 172878
4. HOUSING DESIGNED TO BE USED WITH TERMINAL SERIES 173041
5. COSMETIC SPECIFICATION PS-45499-002 CLASS 'C'
6. PRODUCT SPECIFICATION: 1728770001-PS
7. PACKAGING SPECIFICATION: PK-172877-0001
8. CAVITY NUMBERS IDENTIFIED ON HOUSING (ON SEAL SURFACE)
9. VOID PLUG TO BE USED WITH PLUG HOUSING SERIES 173061

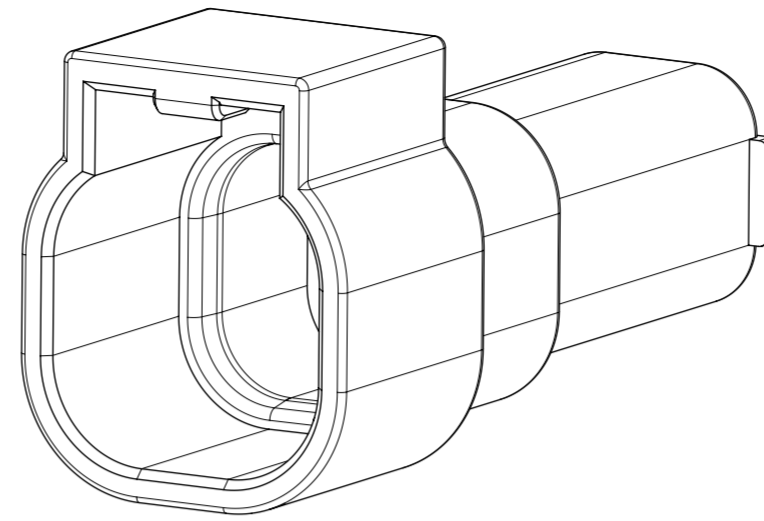
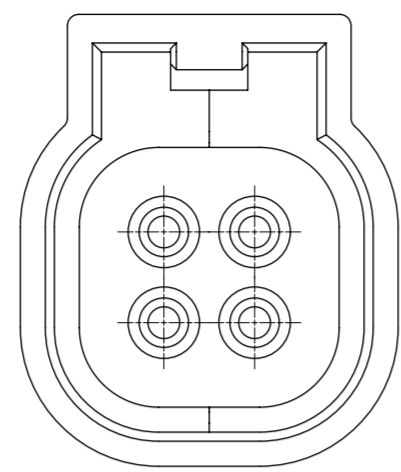


SINGLE ROW PART NUMBER LIST

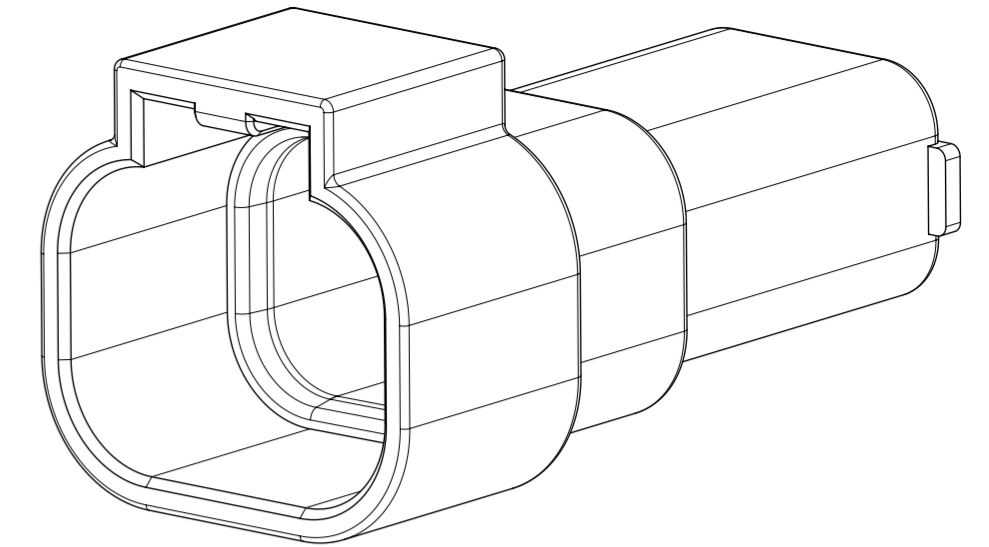
PART NUMBER	CIRCUIT SIZE	DIM A	DIM B	DIM C	DIM D	DIM E	DIM F	TOOLING STATUS
172877-0002	1X2	15.92	17.05	13.85	11.75	12.75	9.45	TOOLED
TBD	1X3	16.32	21.05	17.85	14.75	16.75	9.85	NOT TOOLED
TBD	1X4	15.92	25.05	21.85	18.75	20.75	9.45	NOT TOOLED

THIS DRAWING CONTAINS INFORMATION THAT IS PROPRIETARY TO MOLEX ELECTRONIC TECHNOLOGIES, LLC AND SHOULD NOT BE USED WITHOUT WRITTEN PERMISSION

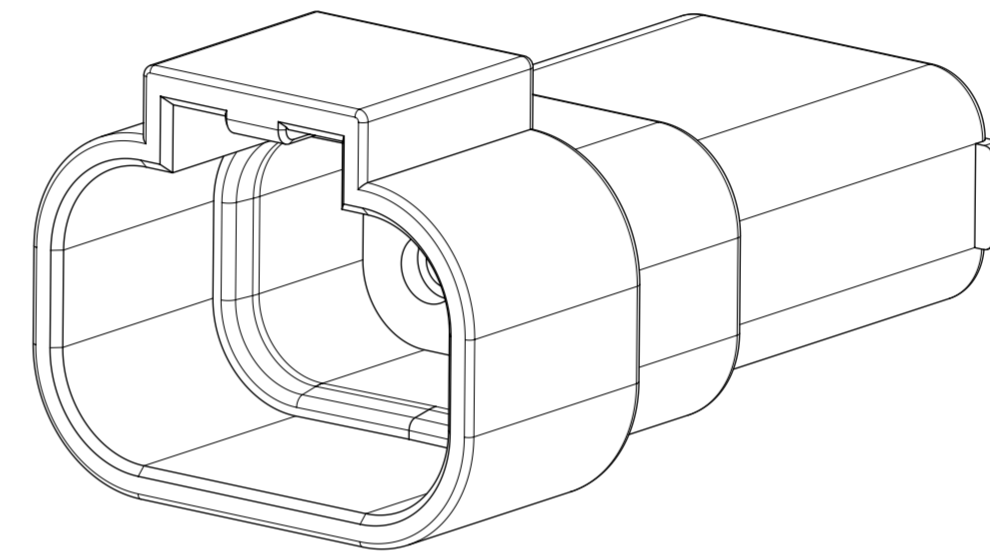
REVISED-RSD TO SD EC NO: 112905 DRWN: ISHWARG CHKD: KPRASAD REV APPR: 2017/01/30	GENERAL TOLERANCES (UNLESS SPECIFIED)	DIMENSION UNITS	SCALE		
	ANGULAR TOL ± 0.5 °	MM	3:1		
	4 PLACES ±	DRWN BY	DATE		
	3 PLACES ±	SS06	2015/02/23		
2 PLACES ± 0.25	CHKD BY	DATE	<p>PLUG HOUSING WITH INTEGRATED SEAL VALUSEAL</p> <p>PRODUCT CUSTOMER DRAWING</p>		
1 PLACE ± 0.36	SS06	2015/12/08			
0 PLACES ±	APPR BY	DATE			
	RHODGE	2015/04/06			
DRAFT WHERE APPLICABLE MUST REMAIN WITHIN DIMENSIONS	DRAWING SIZE	THIRD ANGLE PROJECTION	SERIES	MATERIAL NUMBER	CUSTOMER
	A2		172877	SEE TABLE	GENERAL MARKET
			DOCUMENT NUMBER	DOC TYPE	DOC PART SHEET NUMBER
			SD-172877-0001	PSD	000 1 OF 2



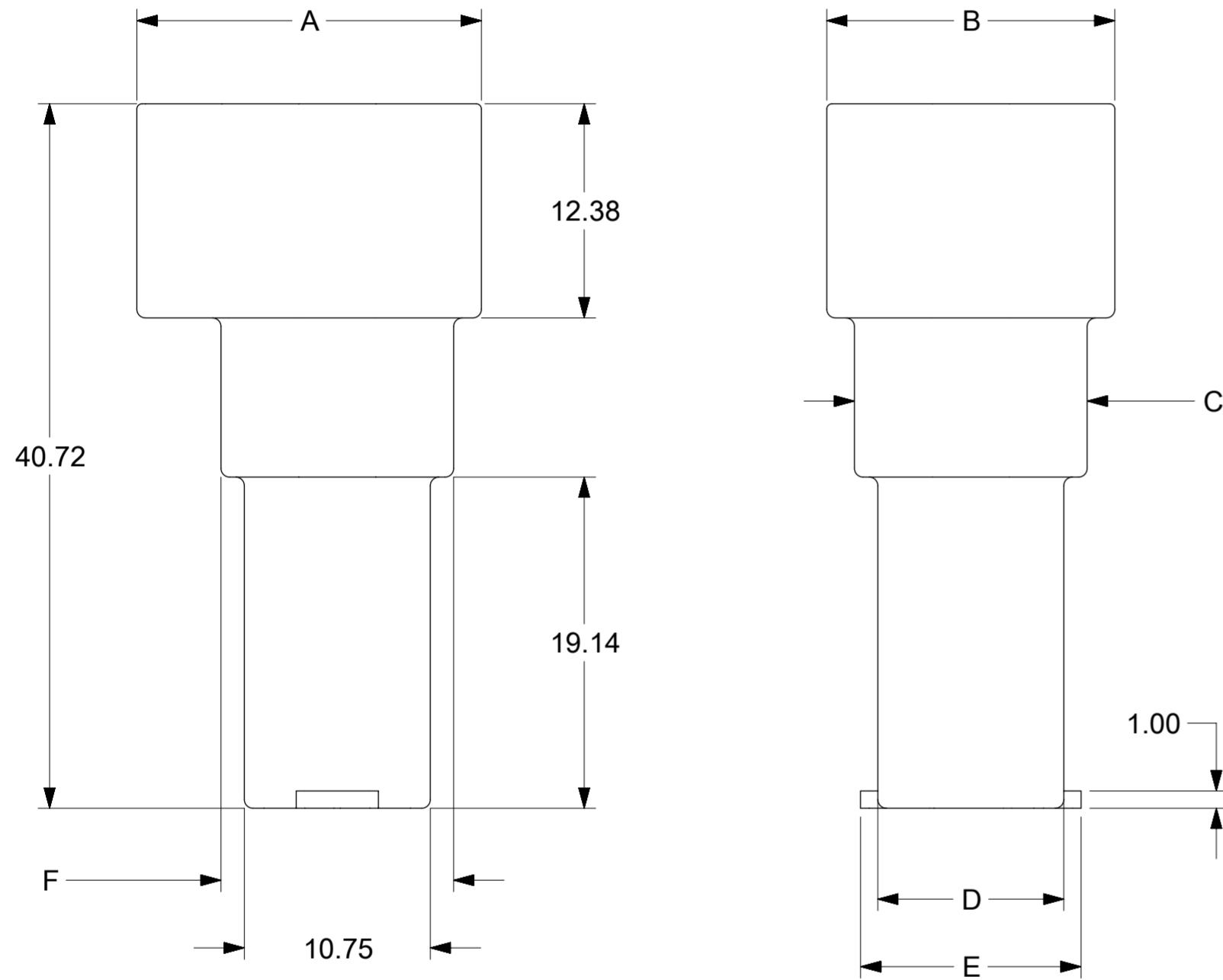
ISOMETRIC VIEW
CIRCUIT 2X2



ISOMETRIC VIEW
CIRCUIT 2X3

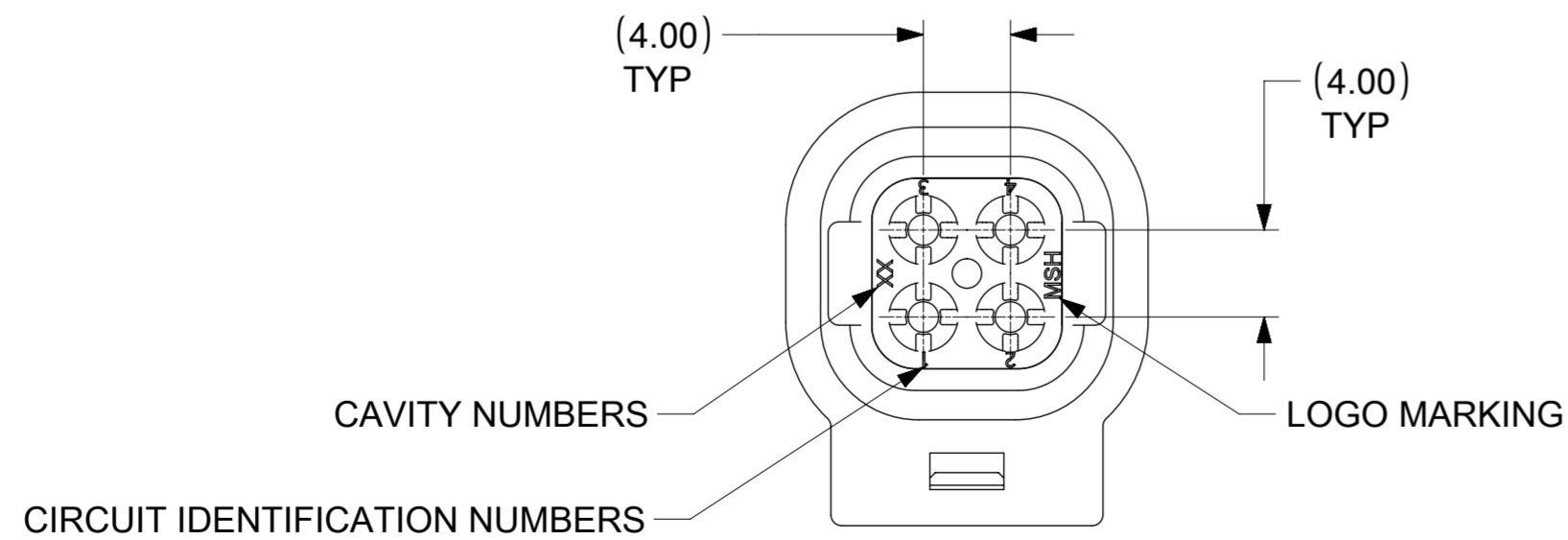


ISOMETRIC VIEW
CIRCUIT 2X4



DUAL ROW PART NUMBER LIST

PART NUMBER	CIRCUIT SIZE	DIM A	DIM B	DIM C	DIM D	DIM E	DIM F	TOOLING STATUS
172877-0040	2X2	19.92	16.65	13.45	10.75	12.75	13.45	TOOLED
TBD	2X3	20.32	21.05	17.85	14.75	16.75	13.85	NOT TOOLED
TBD	2X4	19.92	24.65	21.45	18.75	20.75	13.45	NOT TOOLED



THIS DRAWING CONTAINS INFORMATION THAT IS PROPRIETARY TO MOLEX ELECTRONIC TECHNOLOGIES, LLC AND SHOULD NOT BE USED WITHOUT WRITTEN PERMISSION

REVISED-RSD TO SD EC NO: 112905 DRWN: ISHWARG CHKD: KPRASAD REV: APPR: KPRASAD	2017/01/30	2017/01/30	GENERAL TOLERANCES (UNLESS SPECIFIED)	DIMENSION UNITS	SCALE	
			ANGULAR TOL ± 0.5 °	MM	3:1	
	4 PLACES ±		SS06	DRWN BY	DATE	
	3 PLACES ±		SS06	CHK'D BY	DATE	
2 PLACES ± 0.25			APPR BY	DATE	2015/02/23	
1 PLACE ± 0.36			RHODGE	2015/04/06	2015/12/08	
0 PLACES ±						
DRAFT WHERE APPLICABLE MUST REMAIN WITHIN DIMENSIONS			DRAWING SIZE	THIRD ANGLE PROJECTION		
G2			A2			

SERIES	MATERIAL NUMBER	CUSTOMER
172877	SEE TABLE	GENERAL MARKET
DOCUMENT NUMBER	DOC TYPE	DOC PART SHEET NUMBER
SD-172877-0001	PSD	000 2 OF 2