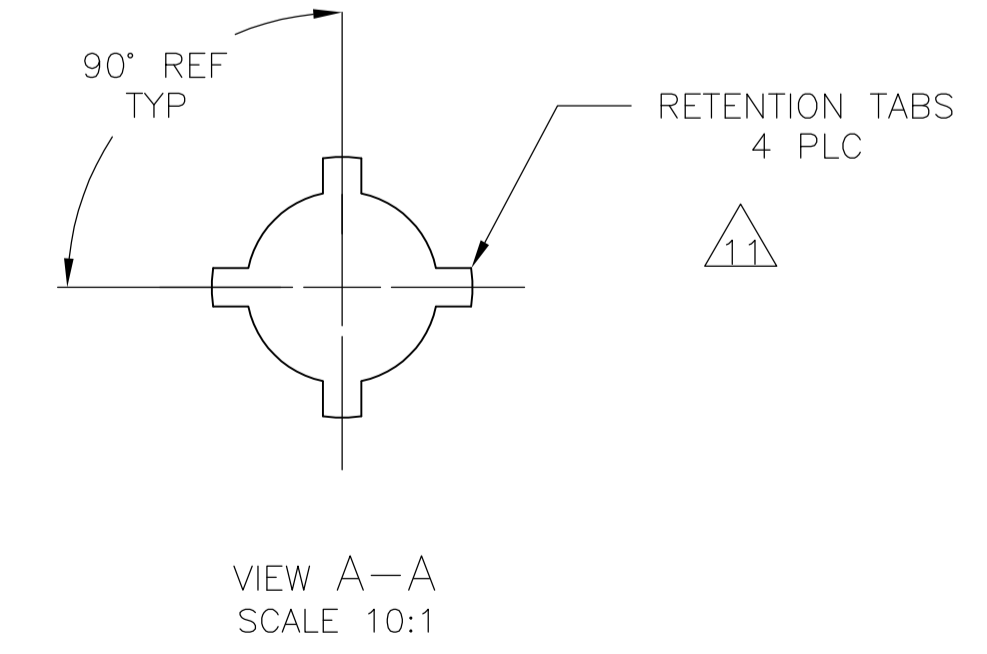
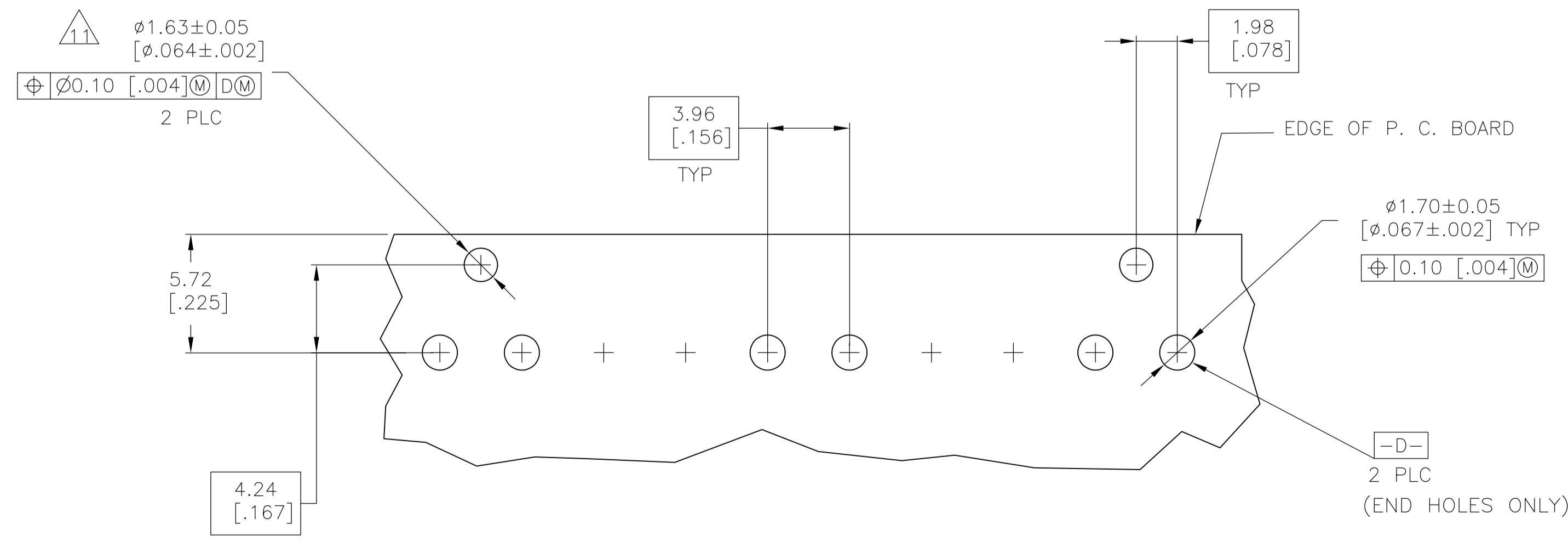
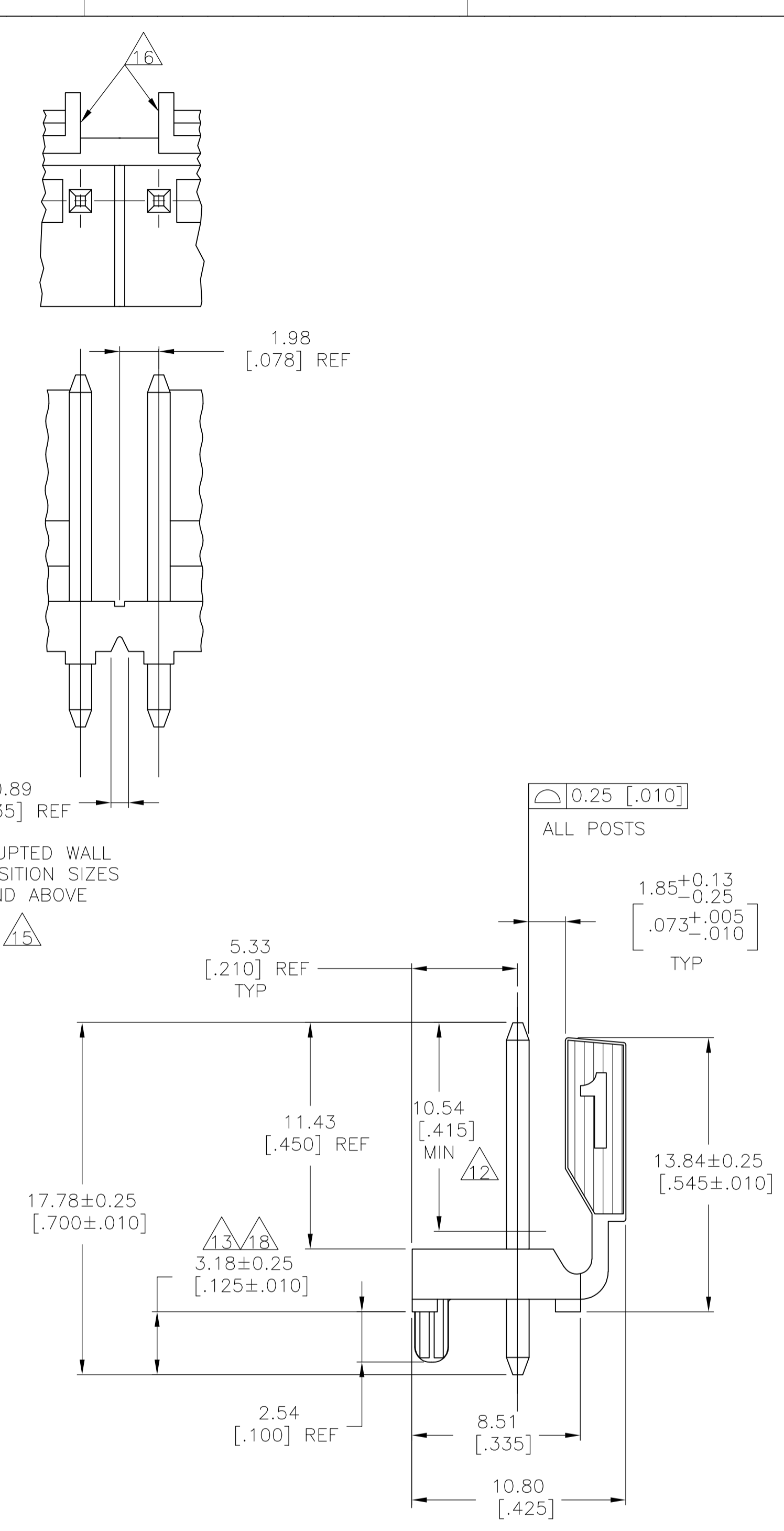
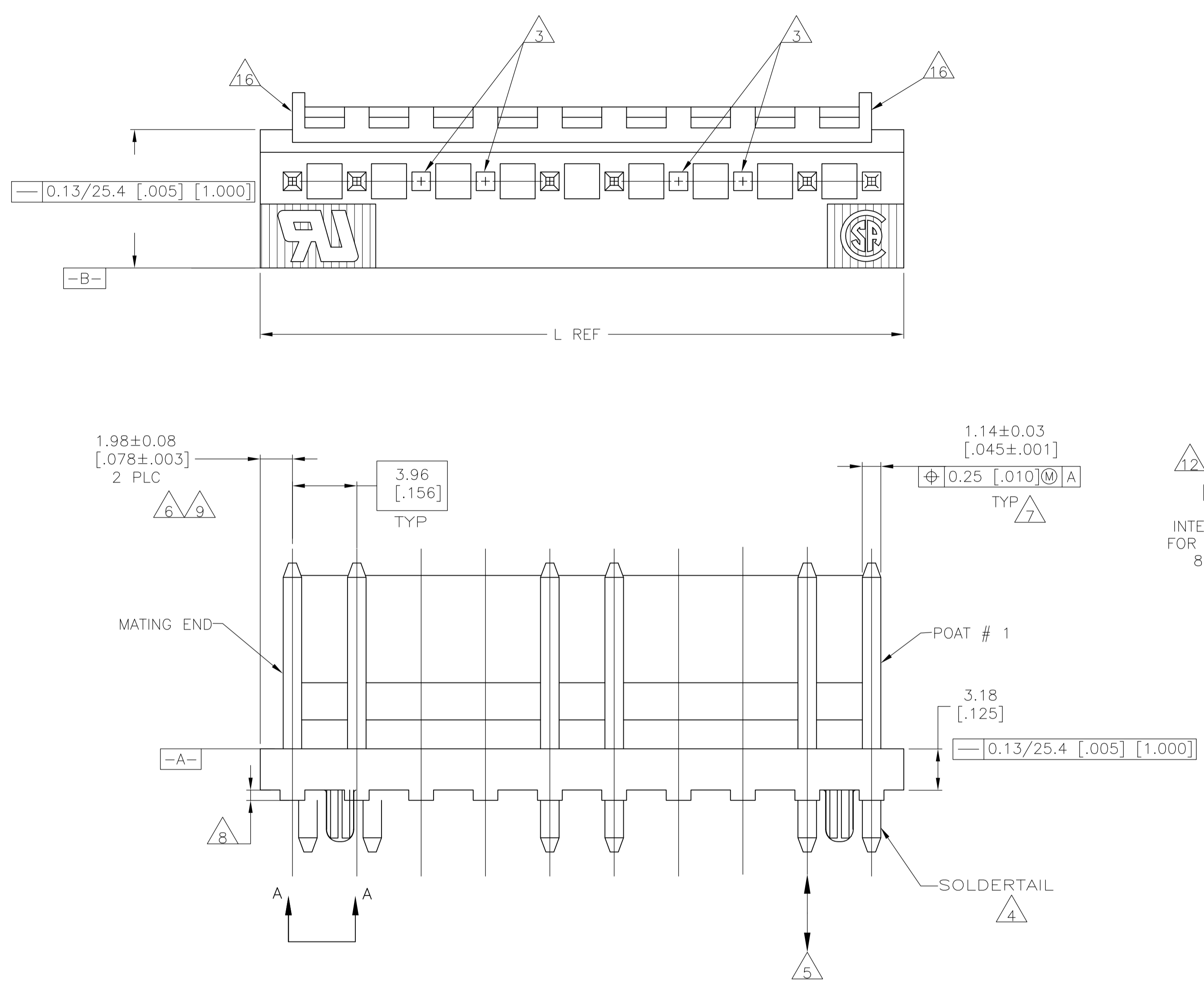


LOC	DIST	REVISIONS			
P	LTR	DESCRIPTION	DATE	DMN	APVD
E		REVISED PER ECO-12-009789	09OCT12	KH	SM



- 1 MATERIAL  
HOUSING: THERMOPLASTIC POLYESTER, GLASS FILLED, UL94V-0.  
POST: COPPER ALLOY
- 2 FINISH  
HOUSING: NATURAL  
POST, SEE NOTES 12 & 13 FOR PLATING
- 3 POSTS NO. 3, 4, 7 & 8 OMITTED.
- 4 POST SOLDER TAILS COMPLY WITH AMP SOLDERABILITY SPEC 109-11-2.
- 5 POST WITHSTANDS 13.34N (3 LB) MIN AXIAL FORCE IN EITHER DIRECTION WITHOUT DISLODGING.
- 6 APPLIES AT -A-
- 7 APPLIES WHEN THE HEADER IS STRAIGHT.
- 8 PLASTIC PROJECTIONS PERMITTED IN THIS ZONE.
- 9 COORDINATE DIMENSIONS APPLIES FROM THE CENTER OF THE ACTUAL FEATURE.
- 10 SOLDER SIDE OF BOARD IS SHOWN.
- 11 THE RETENTION TABS PROVIDE A ONE-TIME INTERFERENCE FIT IN THE 1.63 [.064] DIAMETER BOARD HOLE FOR HEADER ASSEMBLY RETENTION DURING SOLDERING. FOUR TABS PER PEG, TWO PEGS PER HEADER ASSEMBLY.
- 12 PLATING: GOLD PLATE AREA, 0.00076 [.000030] GOLD OR 0.00076 [.000003] MIN GOLD FLASH OVER 0.00068 [.000027] PALLADIUM NICKEL, PER TE CONNECTIVITY'S DISCRETION, ALL SIDES, OVER NICKEL UNDERPLATE, 0.00127 [.000050] MIN, ALL SIDES AND ENTIRE LENGTH OF POST.
- 13 PLATING: BRIGHT TIN/LEAD (9/37) PLATE AREA, 0.00381-0.00889 [.000150-.000350] THICK, ALL FOUR SIDES, 3.18 [.125] MIN FOR 1--0.
- 14 DIMENSIONS IN BRACKETS ARE IN INCHES.
- 15 ALL POSITION SIZES HAVE THE BACKWALL NOTCHED ON BOTH ENDS AS SHOWN. POSITION SIZES 8 AND ABOVE HAVE AN INTERRUPTED BACKWALL AT VARIOUS LOCATIONS (SEE TABLE FOR INTERRUPTION(S) LOCATIONS).
- 16 EDGE OF POLARIZING LOCK WALL TO BE IN LINE WITH CENTERLINE OF ADJACENT POST WITHIN ±0.13 [.005].
- 17 NOTCH SHOWN MAY OR MAY NOT APPEAR.
- 18 PLATING: MATTE TIN PLATE AREA, 0.00381-0.00889 [.000150-.000350] THICK, ALL FOUR SIDES 3.18 [.125]. FOR 4--0.

FINISH	BACKWALL INTERRUPTION (5) BETWEEN POST	L	NO OF POSITIONS	PART NO
12, 13	3&4, 7&8	39.50 [1.555]	10	4-644786-0
12, 13	3&4, 7&8	39.50 [1.555]	10	1-644786-0

RECOMMENDED MOUNTING HOLE PATTERN FOR 1.57 [.062] THICK P.C. BOARD

THIS DRAWING IS A CONTROLLED DOCUMENT.		DIN T. BECK 9-17-96		STE TE Connectivity	
DIMENSIONS: mm [INCHES]		TOLERANCES UNLESS OTHERWISE SPECIFIED:		NAME	
0 PLC	± -	0 PLC	± -	PRODUCT SPEC	
1 PLC	± -	1 PLC	± -	APPLICATION SPEC	
2 PLC	± 0.13 [.005]	2 PLC	± -	SIZE	
3 PLC	± -	3 PLC	± -	CAGE CODE	
4 PLC	± -	4 PLC	± -	DRAWING NO	
ANGLES	± -	ANGLES	± -	RESTRICTED TO	
MATERIAL	1	FINISH	2	WEIGHT	-
CUSTOMER DRAWING				SCALE	5:1
				SHEET	1 OF 1
				REV	E