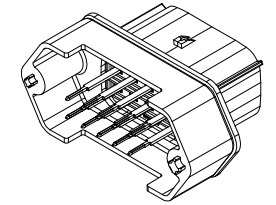
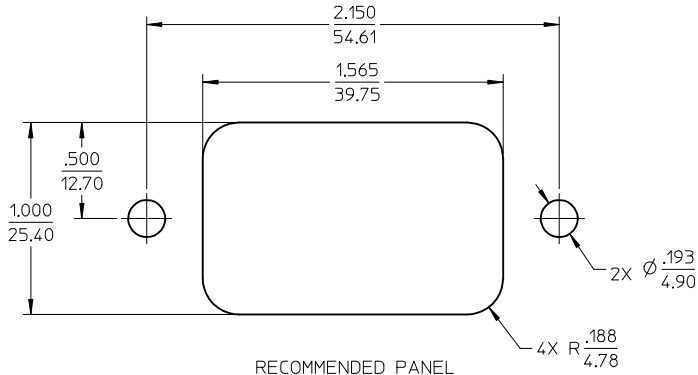
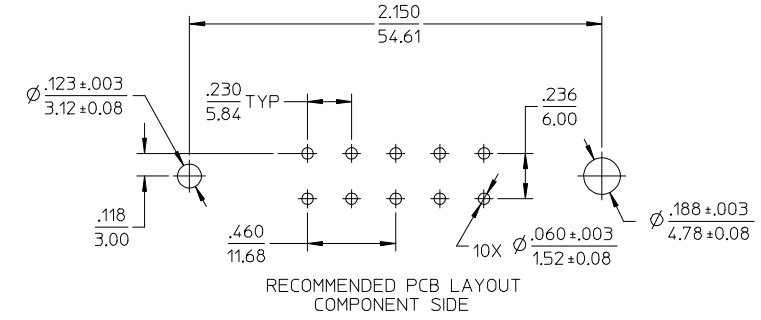
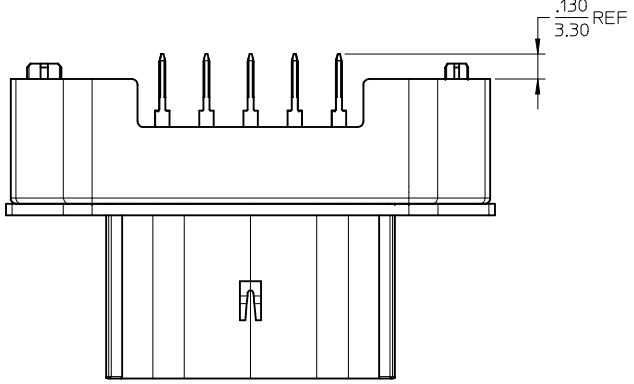


|                          |                  |
|--------------------------|------------------|
| ASSEMBLY MATERIAL NUMBER | TERMINAL PLATING |
| 194280005                | TIN              |
| 194280022                | TIN/GOLD         |

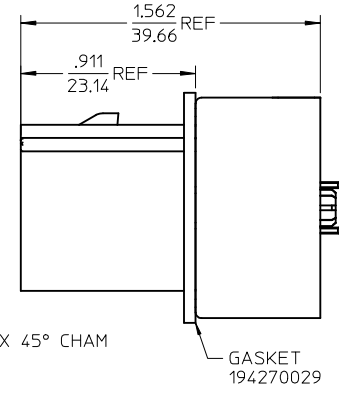
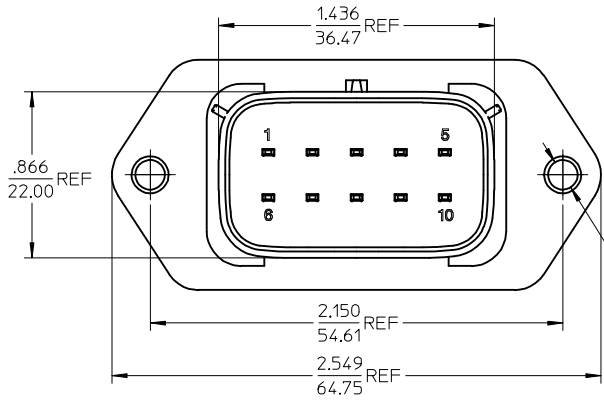


ASSEMBLED VIEW  
SCALE 1:1

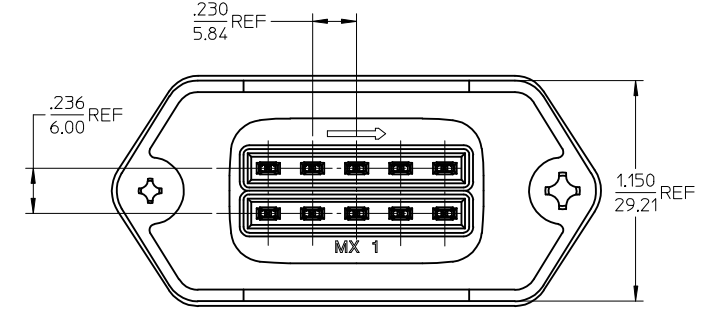
RECOMMENDED PANEL  
MOUNT OPENING  
MAX PANEL THK .080/2.03



RECOMMENDED PCB LAYOUT  
COMPONENT SIDE



GASKET  
194270029



NOTES:

1. MATERIALS:  
HOUSING: POLYESTER (PBT), GLASS FILLED, UL94 V-0,  
COLOR: BLACK  
TERMINALS: COPPER ALLOY
2. FINISHES: 1. TIN ONLY: 100MN TIN OVER 50MN NICKEL  
2. TIN/GOLD: 30MN SELECT GOLD (CONTACT MATING AREA),  
100MN SELECT TIN (PCB TAIL AREA) OVER 50MN NICKEL OVERALL.
3. PRODUCT SPECIFICATION: PS-19428-001.
4. PACKAGING SPECIFICATION: PK-19428-001.
5. MATES WITH: 19418 SERIES RECEPTACLE ASSEMBLIES.
6. RECOMMENDED MOUNTING HARDWARE: (2)#10 X .62/18.9 LONG PLASTIC  
THREAD CUTTING SCREWS. RECOMMENDED TORQUE 15-17 IN-LBS.  
SUGGESTED SOURCE: ITW SHAKEPROOF INDUSTRIAL BOSSCREW OR EQUIVALENT.

|  |             |                          |  |                       |   |                     |              |                        |           |         |
|--|-------------|--------------------------|--|-----------------------|---|---------------------|--------------|------------------------|-----------|---------|
| REVISED<br>EC NO: EITC2006-0028<br>DRWN:JPWLICK 2005/10/10<br>CHKD:JPWLICK 2005/10/11<br>APPR:RDEROSS 2005/10/11 | DESCRIPTION | QUALITY SYMBOLS          | GENERAL TOLERANCES (UNLESS SPECIFIED)                | DIMENSION STYLE       |   | SCALE               | DESIGN UNITS | THIRD ANGLE PROJECTION |           |         |
|  |             | $\nabla=0$<br>$\nabla=0$ |  | IN/MM                 | 2:1   | INCH                |              |                        |           |         |
| B  | REV         | DESCRIPTION              | mm   | INCH                  | DRAWN BY  | DATE                | TITLE        | DOCUMENT NO.           | SHEET NO. |         |
|  |             |                          | 4 PLACES ± --- ± ---                                 | 3 PLACES ± --- ± .015 | 2 PLACES ± 0.38 ± ---   | 1 PLACE ± --- ± --- |              |                        |           | DMYRICK |
|  |             |                          | ANGULAR ± 1 °  | APPROVED BY           |   | DATE                | MATERIAL NO. |                        |           |         |
|  |             |                          | DRAFT WHERE APPLICABLE MUST REMAIN WITHIN DIMENSIONS |                       | RDEROSS   |                     | 04/07/06     | MOLEX INCORPORATED     |           |         |
|  |             |                          | SEE CHART  |                       | THIS DRAWING CONTAINS INFORMATION THAT IS PROPRIETARY TO MOLEX INCORPORATED AND SHOULD NOT BE USED WITHOUT WRITTEN PERMISSION |                     |              |                        |           |         |