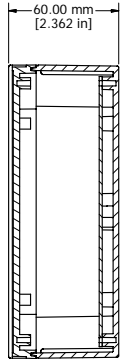
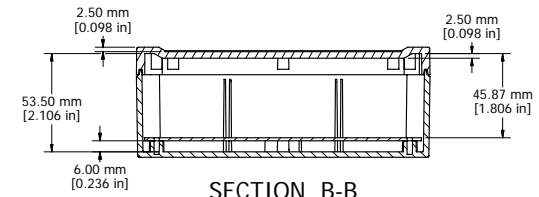


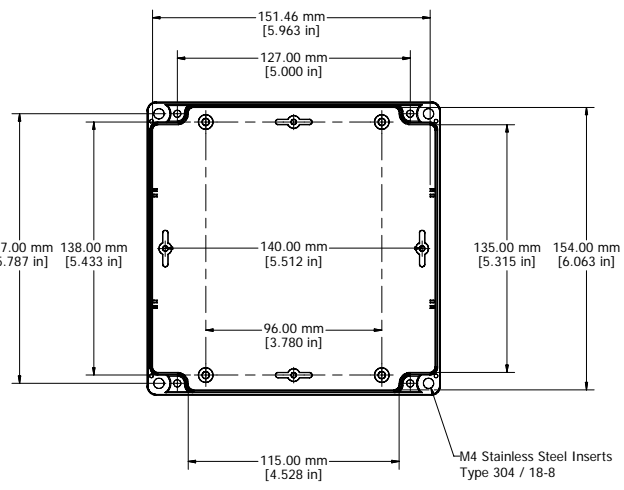
ASSEMBLY



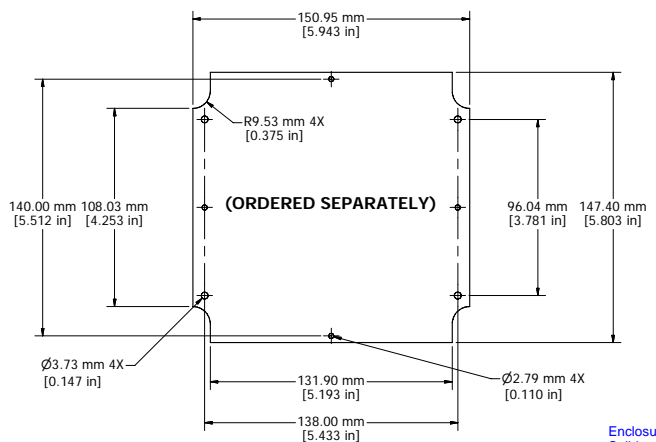
SECTION A-A



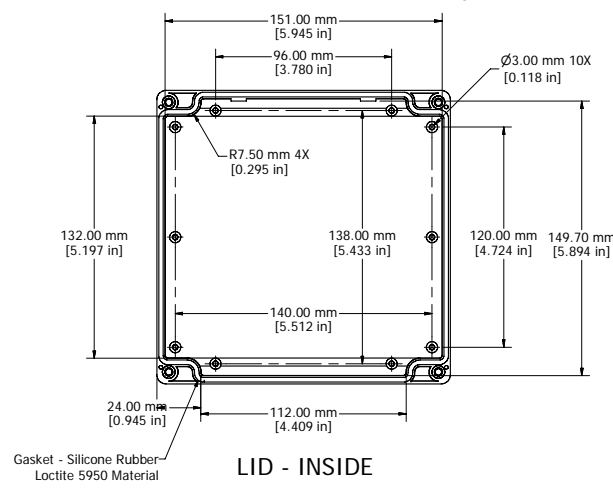
SECTION B-B



BOX - INSIDE

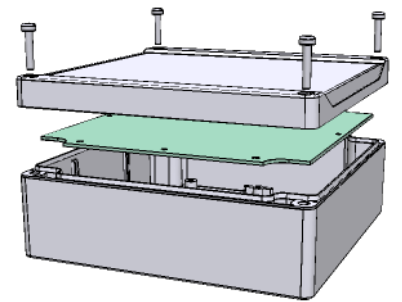


STEEL INNER PANEL



LID - INSIDE

UL US LISTED
File #E65324
NEMA 4, 4X



Enclosures can be Factory Modified (Milling, Drilling, Printing etc.)
Solid models of this enclosure available in STEP or IGES.
Contact Factory - mjm@hammondmfg.com

NOTE	
Purchased assembly includes box, lid, and 4 cover screws	
Cover screws should be torqued to 2.5 lbf-in (30 cN-m)	
Polycarbonate version is UL 508 approved	

1555R	
1555R Regular Enclosure	
General Purpose ABS RAL-7035 UL94 - HB	1555RGY
Polycarbonate RAL-7035 - V0 / 5VA @ 3mm	1555R2GY
ACCESSORIES	
Heavy Duty 16 Gauge Galvanized Steel Panels	1554RPL
Steel Panel / P.C. Board Machine Screw [M3 x 8mm Nickel Plated]	1591MM100
Steel Panel / P.C. Board Self Tapping Screw [#6 X 1/4" (6.4mm) Nickel Plated]	1598ATS100
Cover Screws (Pkg 4) [M4 X 20mm Stainless Steel]	SC1554

HAMMOND MANUFACTURING™

1555R

www.hammondmfg.com