

12,6^{+0,33}_{-0,43}

(b)

69,39^{+0,31}_{-0,45}

63,5±0,13

55,3^{+0,25}₋₀

10°

∅0,6±0,05 (37x)

(b) 241□26510X CONEC ABC

4-40 UNC

SEE NOTE 12

(b)

(5:1)

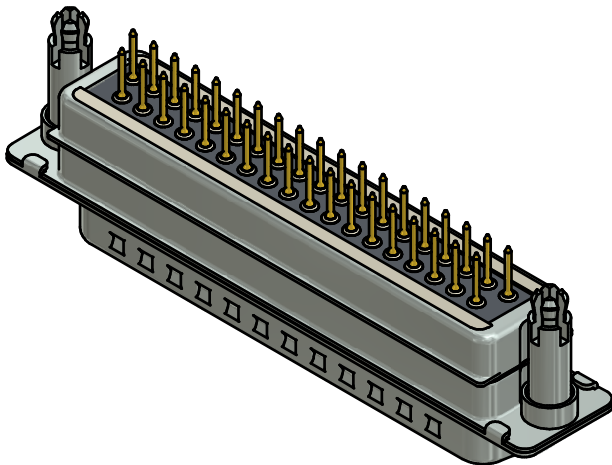
14,81±0,3

0,9

6⁺⁰_{-0,31}

8,26^{+0,22}_{-0,03}

10,9±0,25
13,8±0,3
14,7



NOTES: (b)

1. RoHS COMPLIANT
2. FOR WAVESOLDERING (SOLDER BATH TEMPERATURE 260°C FOR 5 SEC. AND SOLDER PREHEAT 100°C FOR 30 SEC.)
3. METALSHELLS: STEEL; min. 315µm TIN over 40-80µm NICKEL
4. INSULATOR: HIGH TEMPERATURE PLASTIC UL 94 V-0; BLACK
5. CONTACTS: COPPER ALLOY; PLATING (SEE PART NO.):
 PLEASE ADD A for GOLD FLASH over NICKEL (PREFERRED TYPE)
 PLEASE ADD B for 20µm HARD GOLD over min. 50µm NICKEL
 PLEASE ADD C for 30µm HARD GOLD over min. 50µm NICKEL
 CONTACTS TAILS PRETINNED
6. THREADED SPACER CLIPS: COPPER ALLOY; min. 200µm TIN over 80µm NICKEL
 PCB-HOLE: ∅3,1±0,1; PCB THICKNESS 1,6mm
7. COLLARS: COPPER ALLOY; min. 200µm TIN over 80µm NICKEL
8. CAPACITANCE: 2 x 1300pF ±20%
9. DIELECTRIC WITHSTANDING VOLTAGE: 300 VDC
10. P.C.B. HOLE DRILLINGS SEE SHEET 2
11. MAXIMUM TORQUE VALUE FOR THREAD: 6 in.LB
12. CONNECTOR IS PART MARKED: 241□26510X CONEC ABC

Directive 2002/95/EC RoHS compliant

THIS DRAWING MAY NOT BE COPIED OR REPRODUCED IN ANY WAY, AND MAY NOT BE PASSED ON TO A THIRD PARTY WITHOUT WRITTEN PERMISSION. OWNERSHIP AND COPYRIGHT OF CONEC GmbH

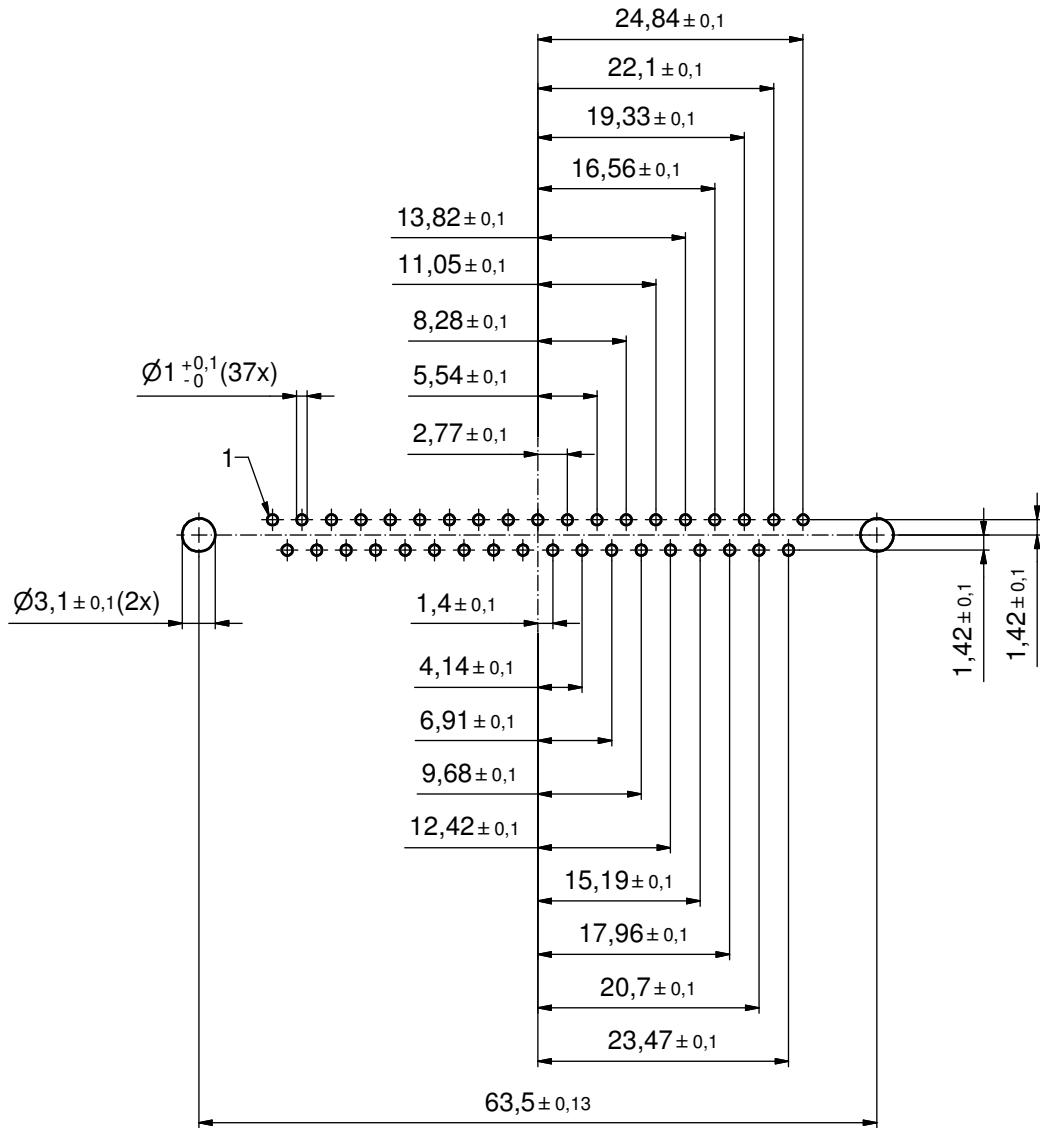
DO NOT ALTER CAD DRAWING BY HAND

| | | | | | |
|-------|-------------|------------|--------------------|--|------------------|
| | | tolerance | | | scale: 2:1 (5:1) |
| | | dim. in mm | | | |
| | | date | name | title: D-SUB PI FILTER MALE 37pos. SOLDER PIN STRAIGHT with threaded spacer clip | |
| | | drawn | 06.05.13 Henneboel | | |
| | | appd. | 06.05.13 Fischer | | |
| | | norm | | | |
| | | d-old | 24K1A930 | dwg no: | |
| 6 x b | A4743 | 06.05.2013 | K.H. | (b) 24K1A1438 | |
| a | Original | | | DIN-A3 | |
| rev. | description | date | name | part no: (b) 241□26510X (see note 5) | |

CONEC®

sh: 1/2

P.C.B. HOLE DRILLINGS
(P.C.B. TOP SIDE)



| | | | | | | | |
|--|-------------|----------|------|-----------|----------|-----------------------|--|
| THIS DRAWING MAY NOT BE COPIED OR REPRODUCED IN ANY WAY, AND MAY NOT BE PASSED ON TO A THIRD PARTY WITHOUT WRITTEN PERMISSION. OWNERSHIP AND COPYRIGHT OF CONEC GmbH DO NOT ALTER CAD DRAWING BY HAND | | | | tolerance | | scale: 2:1 | |
| | | | | date | name | material: SEE SHEET 1 | |
| | | | | drawn | 06.05.13 | Henneboel | title: P.C.B. HOLE DRILLINGS D-SUB PI FILTER MALE 37pos. SOLDER PIN with threaded spacer clip |
| | | | | appd. | 06.05.13 | Fischer | |
| | | | | norm | | | |
| | | | | d-old | 24K1A930 | | dwg no: |
| | a | Original | | | | | 24K1A1438 |
| rev. | description | date | name | | | | part no: SEE SHEET 1 |