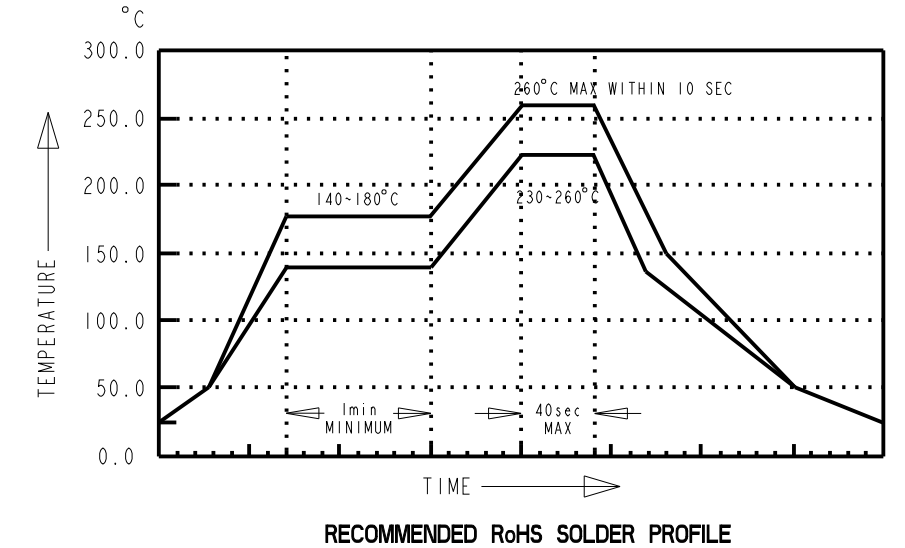
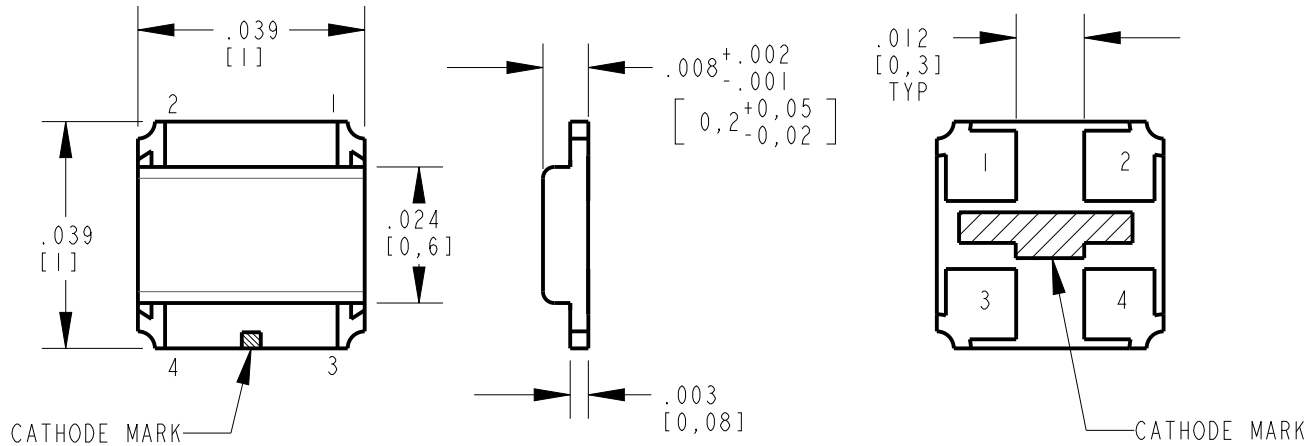


| DIALIGHT PART NUMBER | COLOR | LED DIE          | LED EPOXY COLOR |
|----------------------|-------|------------------|-----------------|
| 597-7707-502F, -507F | RED   | AlGaInP/<br>GaAs | DIFFUSED WHITE  |
|                      | GREEN |                  |                 |

### RoHS COMPLIANT 597-7707-50XF

Part Numbers with the "F" suffix ending are RoHS Compliant.  
 For example: 597-7707-502F  
 Reel and bag packaging are marked with "RoHS Compliant" label or equivalent markings. These parts can be used with RoHS reflow profile. Parts can be wave soldered, dip soldered or hand soldered using typical lead-free soldering process with max 260°C temp. for 5 sec.

| REV | ECN NO | REVISIONS   | DRN | CKD | APP | DATE    |
|-----|--------|-------------|-----|-----|-----|---------|
| A   |        | NEW RELEASE | WFB | JTD | NO  | 12-5-12 |



#### NOTES:

- DIALIGHT PART NUMBERS: 597-7707-50XF.
- TAPE & REEL MAY REQUIRE RE-TAPING AFTER 12 MONTHS.
- PIN NUMBERS ARE FOR REFERENCE ONLY. DESIGNATION NON-EXISTENT ON PART OR REEL TAPE.
- ...502F SUFFIX MEANS PARTS PACKAGED ON A 20 PC SAMPLE STRIP.  
...507F SUFFIX MEANS PARTS PACKAGED ON A 7" [Ø180mm] REEL, 5,000 PCS/REEL.
- MOISTURE SENSITIVITY LEVEL: 3
- PACKAGING TO INCLUDE LABEL CONTAINING DIALIGHT PART NUMBER, DATE CODE/LOT NO., LUMINOUS INTENSITY AND COLOR BINS, QTY/REEL, AND COUNTRY OF ORIGIN.
- THIS ASSEMBLY CONTAINS ELECTROSTATIC DISCHARGE SENSITIVE DEVICES (ESDS). MAINTAIN ALL PRECAUTIONARY MEASURES DURING ASSEMBLY, HANDLING, AND STORAGE IN ACCORDANCE WITH IPC-A-610.

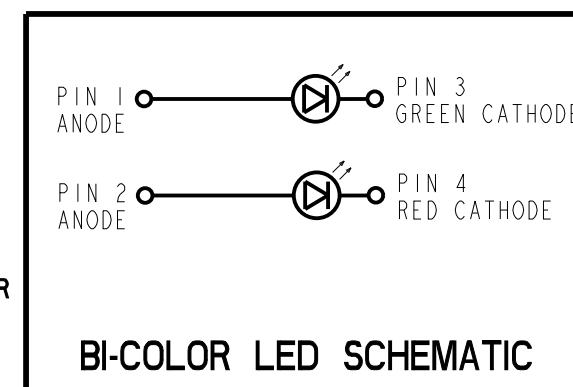
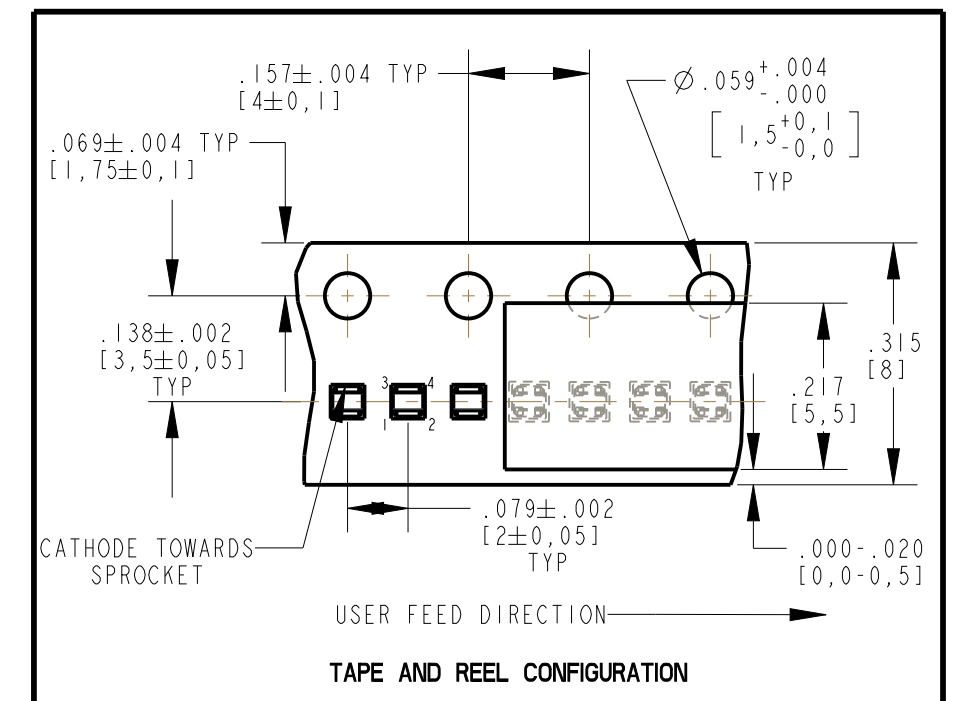
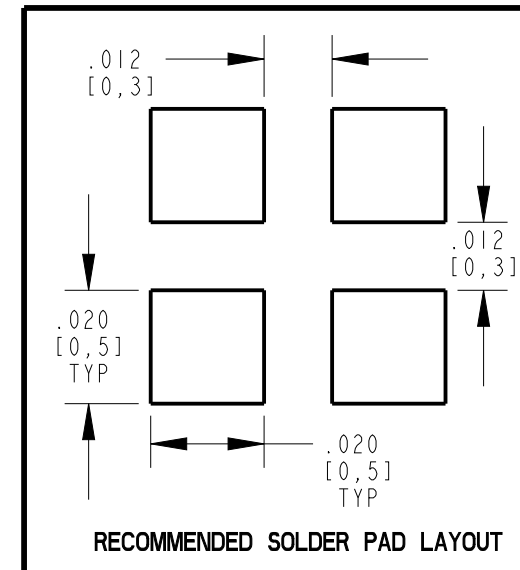
#### OPERATING CHARACTERISTICS AT 25°C AMBIENT

| COLOR | LUMINOUS INTENSITY |           | FORWARD VOLTAGE |                | REVERSE CURRENT |                | DOMINANT WAVELENGTH |                |          |          | VIEWING ANGLE |           |
|-------|--------------------|-----------|-----------------|----------------|-----------------|----------------|---------------------|----------------|----------|----------|---------------|-----------|
|       | I <sub>F</sub>     | MIN (mcd) | TYP (mcd)       | I <sub>F</sub> | TYP (V)         | V <sub>R</sub> | MAX (mA)            | I <sub>F</sub> | MIN (nm) | TYP (nm) | MAX (nm)      | TYP (DEG) |
| RED   | 20 mA              | 25        | 52              | 20 mA          | 2.1             | 4V             | 100                 | 20 mA          | 615      | 620      | 625           | 128       |
| GREEN |                    | 10        | 21              |                | 2.2             |                |                     |                | 569      | 572      | 575           | 128       |

| ABSOLUTE MAXIMUM RATINGS AT 25°C AMBIENT                           | COLOR       |       | UNITS |
|--|-------------|-------|-------|
|  | RED         | GREEN |       |
| CONTINUOUS FORWARD CURRENT   | 20          |       | mA    |
| PEAK FORWARD CURRENT (LESS THAN OR EQUAL TO 1/20 DUTY CYCLE, 1kHz) | 100         |       | mA    |
| DERATE LINEARLY FROM 40°C  | 0.22        |       | mA/°C |
| REVERSE VOLTAGE  | 5           |       | V     |
| STORAGE TEMPERATURE  | -40 TO +100 |       | °C    |
| OPERATING TEMPERATURE  | -40 TO +85  |       | °C    |



**ATTENTION:**  
OBSERVE PRECAUTIONS FOR  
HANDLING ELECTROSTATIC  
SENSITIVE DEVICES



|   |  |               |
|---|--|---------------|
| THIS DRAWING AND THE CONTENTS HEREIN ARE CONFIDENTIAL AND THE SOLE PROPERTY OF DIALIGHT. REPRODUCTION OF THIS DRAWING OR CONSTRUCTION OF ANY PARTS WITHIN THIS DRAWING ARE FORBIDDEN WITHOUT THE WRITTEN CONSENT OF DIALIGHT. |  |               |
| SCALE: 30.000<br>ALL DIM'S IN: INCHES (MM)  | DRAWING NUMBER<br>C-18004                          | REV<br>A      |
| TOLERANCES:<br>UNLESS OTHERWISE SPECIFIED   | TITLE<br>0404 BI-COLOR SMT LED                     |               |
| FRACTIONS: ±1/64<br>DECIMALS (.XX): ±.01<br>DECIMALS (.XXX): ±.004<br>DECIMALS (.XXXX): ±.0005<br>ANGLES: ±1°   | MATERIAL   |               |
| FINISH:   | Dialight 1501 ROUTE 34 SOUTH FARMINGDALE, NJ 07727 |               |
| FSCM 83330  | SHEET 1 OF 1                                       | FAMILY TABLE: |