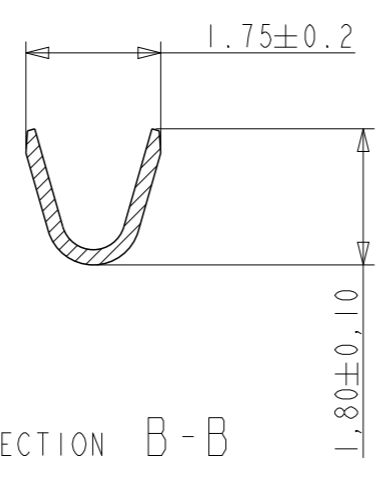
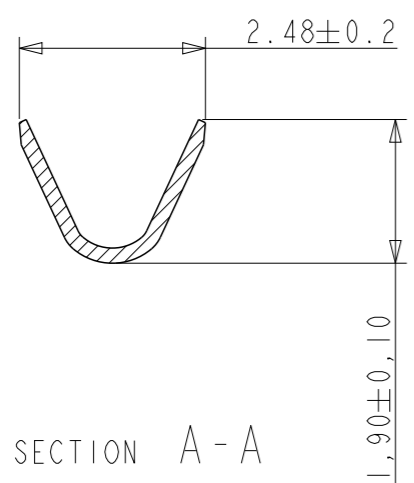
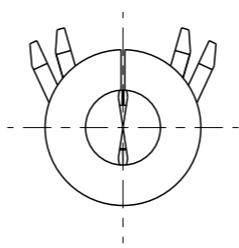
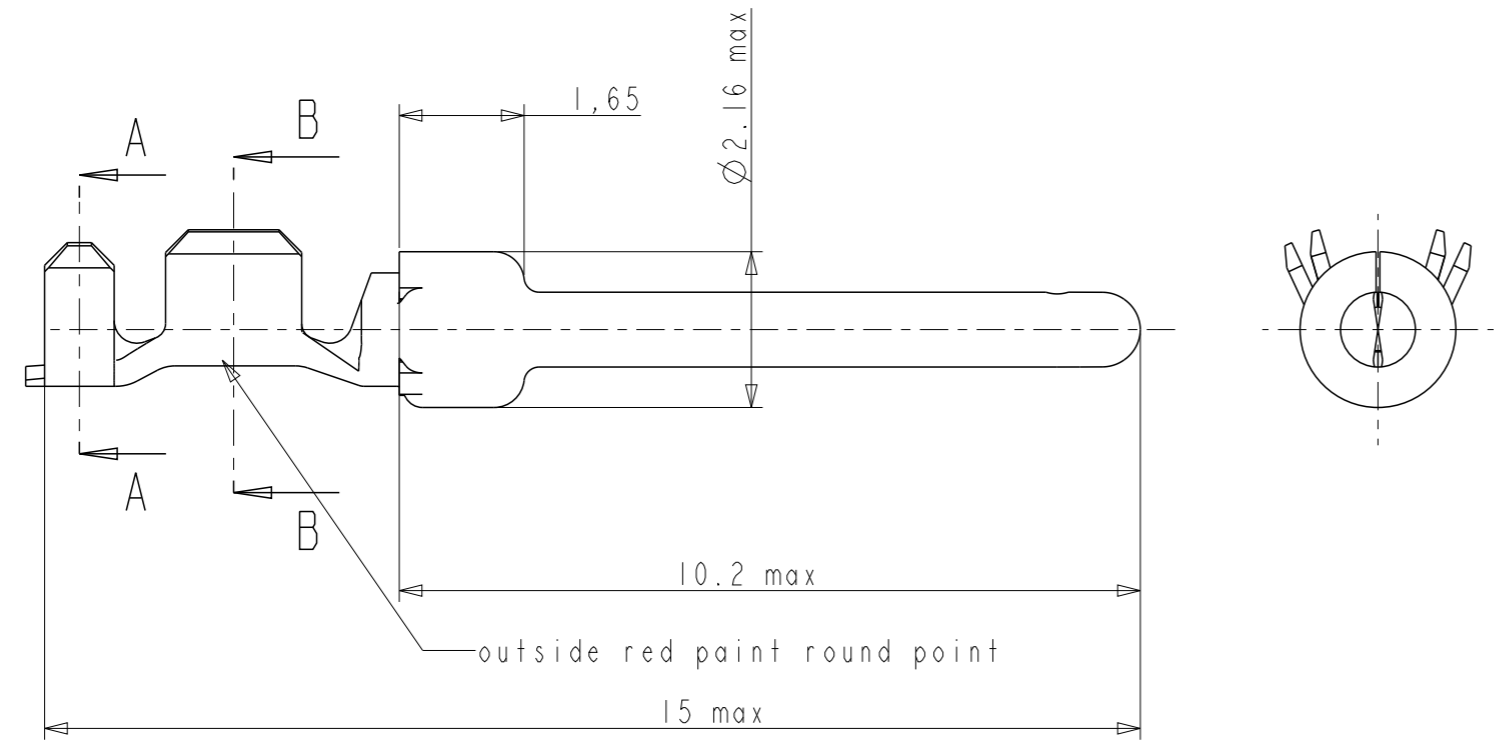
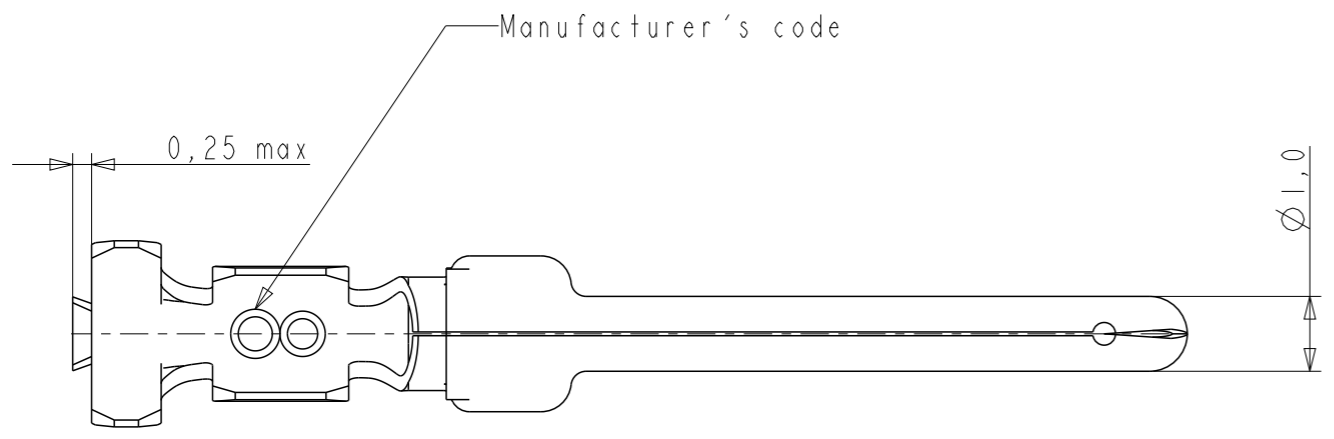


NOTES:

- 1-Material:phosphor bronze thickness 0.20
- 2-Finish on contact area:see table
finish on termination:bright tin over nickel
- 3-Wire range:20 to 24 AWG
- 4-Max outer dia of wire insulator:1.73 mm
- 5-Current carrying capacity per contact:
5.Amps max when crimped to #20 AWG
5 Amps max when crimped to #22 AWG
3 Amps max when crimped to #24 AWG
- 6-After 5 insertions into connector,
contact retention must be 5 pounds axial load min
- 7-When contact is crimped to 20 AWG,the insulation
support crimped height must be 1.78 mm max to ensure
a proper insertion into housing
- 6-Packaging:Box of 500 contacts

NOTE : ROHS INFORMATIONS

The LF products meet European union directives and other country regulations as described in GS-22-008
Terminations plating spec : 2um Nickel min + 2um Sn min
Packaging Spec : see GS-14-920



Core range	PLATING
8656452067LF	0.4µ Au / GXT
8656452067	0.4µ Au / GXT
PART NUMBER	Plating

www.fciconnect.com		surface - ✓ ISO 1302	tolerance std ISO 406 ISO 1101	projection mm
		TOLERANCES UNLESS OTHERWISE SPECIFIED		←→
Dr	C JARRY	1997-01-28	ANGULAR	0.X ±0.3
Eng	ABHILASH M R	2009-07-07	LINEAR	0.XX ±0.1
Chr	ABHILASH M R	2009-07-07	0° ±2°	0.XXX ±0.05
Appr	SUDHIR VARMA	2009-07-07	Product family	D-SUB
				size A3
				Scale 10/1
				ECN III-0003
				Spec ref
FCi		CRIMP PIN		Rev. H
		#wire 20-24 in Box of 500 cts		dwg no C01-8656-0419
		catalog no		CUSTOMER
				sheet 1 of 1

rev	ecn no	dr	date
B	LS05.006	MPE	07/07/05
C	LS06-0196	MPE	27/11/2006
D	LS08-0127	MPE	13/05/2008
E	LS08-0216	MPE	26/11/2008
F	109-0128	MRA	2009-07-07
G	110-0070	AMR	2010-03-09
H	111-0003	AMR	2011-01-06



Copyright FCI.