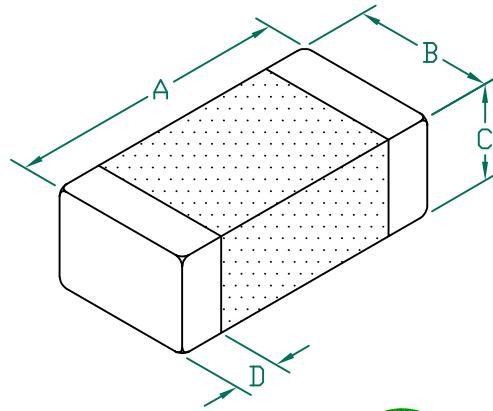


HZ1206C202R-10

UNCONTROLLED DOCUMENT

PHYSICAL DIMENSIONS:

A	3.20 [.126]	+ 0.20 [.008]
B	1.60 [.063]	+ 0.20 [.008]
C	1.10 [.043]	+ 0.20 [.008]
D	0.51 [.020]	+ 0.25 [.010]



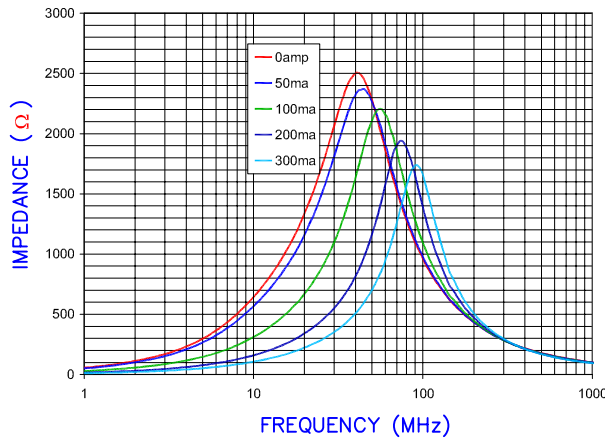
ELECTRICAL CHARACTERISTICS:

Z @ 30MHz (Ω)		DCR (Ω)	Rated Current
Nominal	2000		
Minimum	1500		
Maximum	2500	0.50	300 mA

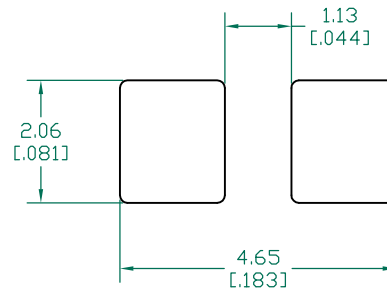
NOTES: UNLESS OTHERWISE SPECIFIED

1. TAPED AND REELED per CURRENT EIA SPECIFICATIONS 7" REELS, 3000 PCS/REEL.
2. TERMINATION FINISH IS 100% TIN.
3. COMPONENTS SHOULD BE ADEQUATELY PREHEATED BEFORE SOLDERING.
4. OPERATING TEMP. RANGE: -40°C~+125°C (INCLUDING SELF-HEATING)

**Z vs FREQUENCY
IMPEDANCE UNDER DC BIAS**

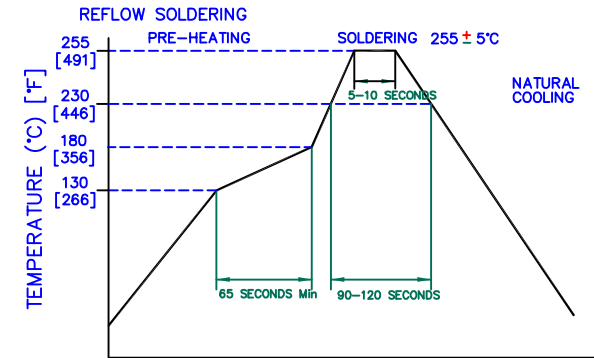


LAND PATTERNS FOR REFLOW SOLDERING

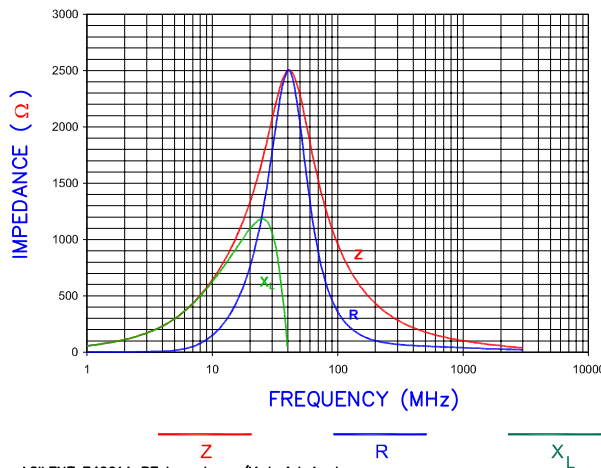


(For wave soldering, add 0.762 [.030] to this dimension)

RECOMMENDED SOLDERING CONDITIONS



|Z| , R, AND X vs. FREQUENCY



DIMENSIONS ARE IN mm [INCHES].				This print is the property of Laird Tech. and is loaned in confidence subject to return upon request and with the understanding that no copies shall be made without the written consent of Laird Tech. All rights to design or invention are reserved.			
				Laird			
				PROJECT/PART NUMBER: HZ1206C202R-10			
C ADD OPERATING TEMPERATURE UPDATE LAIRD LOGO AND REFLOW CURVE 08/05/13 QU				REV: C		PART TYPE: CO-FIRE	DRAWN BY: TMB
B UPDATE COMPANY LOGO ADD ROHS 03/24/08 JRK				DATE: 04/03/04		SCALE: NTS	SHEET: 2 of 2
A ORIGINAL DRAFT 04/03/04 TMB				GAD #		TOOL #	
REV DESCRIPTION				DATE		INT	HZ1206C202R-10-C