

# Westcor MicroPAC

March 2013



<b>Contents</b>	<b>Page</b>
<i>Mechanical Considerations</i>	2
<i>Product Description</i>	2
<i>Technical Description</i>	4
<i>Output Power De-rating Curve</i>	5
<i>MicroPAC to MicroPAC Configuration</i>	6
<i>Power Shed Mode</i>	7
<i>Power Shed Mode Functional Description</i>	8
<i>No Load Power Dissipation with and without Power Shed Mode</i>	9
<i>Field Replacement Unit</i>	10
<i>Customer Interface</i>	12
<i>J2 Customer Interface Signals</i>	13
<i>Mechanical</i>	16
<i>Front Panel</i>	17
<i>Model Numbering Scheme</i>	18
<i>Specifications</i>	19

## Before Using the MicroPAC Power Supply

Be sure to read this design guide manual thoroughly before using this product. Pay attention to all cautions and warnings.

Incorrect usage could lead to an electrical shock, damage to the unit or a fire hazard.



### **Warning**

- Do not operate the without a secure protective earth (PE) lead connected to the input power connector.
- Do not operate the MicroPAC with AC input without inserting a correctly rated Vac fuse.
- Do not operate the MicroPAC with DC input without inserting a correctly rated Vdc fuse.
- Do not obstruct the fan air intake or air exhaust. (Care should be taken when connecting cabling).
- Do not connect or disconnect the output +Out or -Out cabling while the MicroPAC is in operation.
- Always make sure the output screws are properly torqued [15 inch-lb] before applying power.

---

## Mechanical Considerations

The MicroPAC power supply can be mounted on four of the six surfaces using standard 6-32 screws with a maximum torque of 7 inch-lb.

When using the mounting points the maximum insertion depth of the screw into the chassis from the outside surface must not exceed 0.125”.

When considering a mounting location and/or orientation it is important not to restrict the air flow entering and exiting the MicroPAC. Air is drawn into the MicroPAC through the fan guard located next to the input power connector at the rear of the power supply and exhausts through the load side of the power supply next to the LED display panel. Westcor recommends a minimum clearance of 2” be kept at the front and rear of the MicroPAC.

Care should be taken to minimize the output cabling as not impede the air exhausting from the MicroPAC, the output screw securing the cabling to the output terminals should be torque to 15 inc-lb not to exceed 20 inc-lb.

## Product Description

The MicroPAC is a factory configurable power supply providing up to 1,300 W of continuous power in a small slimline 1 u package. The power supply provides up to 4 isolated outputs and combines power factor correction along with high efficiency and power density. The MicroPAC boasts a power density of 25 Win<sup>3</sup> and efficiency up to 92%, the power supply is available in a wide temperature range configuration and for harsh environments and mil-cots applications conformal coated. All configurations carry full safety agency approvals i.E. UL60950 en60950 and are CE marked.

The MicroPAC power supply platform supports a wide range of customer power requirements and is especially suited for distributed power architectures. The design offers a small flexible cost-effective solution for applications requiring high efficiency and power density. The isolated outputs may be placed in parallel/series configurations with automatic current sharing. For applications requiring higher power levels the MicroPAC's can be configured in arrays with box to box current sharing.

## Applications Include

- Factorized power architectures
- Distributed bus architectures
- Industrial
- Automation equipment
- Printing
- MIL-COTS applications
- Telecommunications
- Renewable energy

## Standard Features

- High efficiency up to 92%
- Small Size
- High power density (25 W/In<sup>3</sup>)
- Up to 1300 W  
(Configuration dependent)
- Low power standby mode  
(Green mode)
- Universal Input  
(85 to 264 Vac) (47 to 400 Hz)
- Output series capability
- Output current sharing
- MicroPAC to MicroPAC current sharing
- Power shed capability
- Vibration MIL-STD 810-F  
Figure 514.5C-17
- Overtemperature warning
- Overtemperature shutdown

### Standard Features (Cont.)

- DC Input (120 to 300 Vdc)
- Up to 4 isolated outputs
- Visual LED display panel
- Standard 12 V output
- Standard 14 V output
- Standard 24 V output
- Standard 28 V output
- Standard 36 V output
- Standard 48 V output
- 5 V @250 mA Isolated Aux Supply
- Output parallel capability
- Intelligent fan control
- Field replaceable fan
- Individual output enable / disable
- All output enables / disable capability
- TTL control signal
- Visual LED display panel
- Visual LED display panel
- Shock MIL-STD 810F Method 516.5 procedure 1
- Wave, 40G 11 mS
- Temperature Range  
-20°C to +55°C (+65°C @ 50% load)

### Optional Features

- Extended temperature range  
-40°C to +55°C operation (+65°C @ 50% load)
- Conformal coated
- Power shed Mode

Table 1.  
Acronym Definitions

Acronym	Term
AML	Approved Manufacturing List
VAC	Volts Alternating Current
VDC	Volts Direct Current
BCM	Bus Converter Module
PE	Protective Earth
LED	Light Emitting Diode
EMI	Electro-Magnetic Interference
FPA	Factorized Power Architecture
FRU	Field Replaceable Unit
GSD	General shutdown
MTBF	Mean Time Between Failure
NTC	Negative Temperature Coefficient
PFC	Power Factor Correction
PCB	Printed Circuit Board
PS	Power Supply
MicroPAC	MicroPAC
PSM	Power Shed Mode
PC	Performance Criteria
RoHS	Restriction of Hazardous Substances

## Technical Description

The MicroPAC power supply is designed to operate using a single phase voltage source input between 85 Vrms and 264 Vrms or 120 to 300 V dc source. The basic building blocks of the MicroPAC are an EMI filter, Power Factor Correction stage, cooling fan, and housekeeping, associated microcontroller circuits along with customer interfaces and galvanic isolated outputs and control signals.

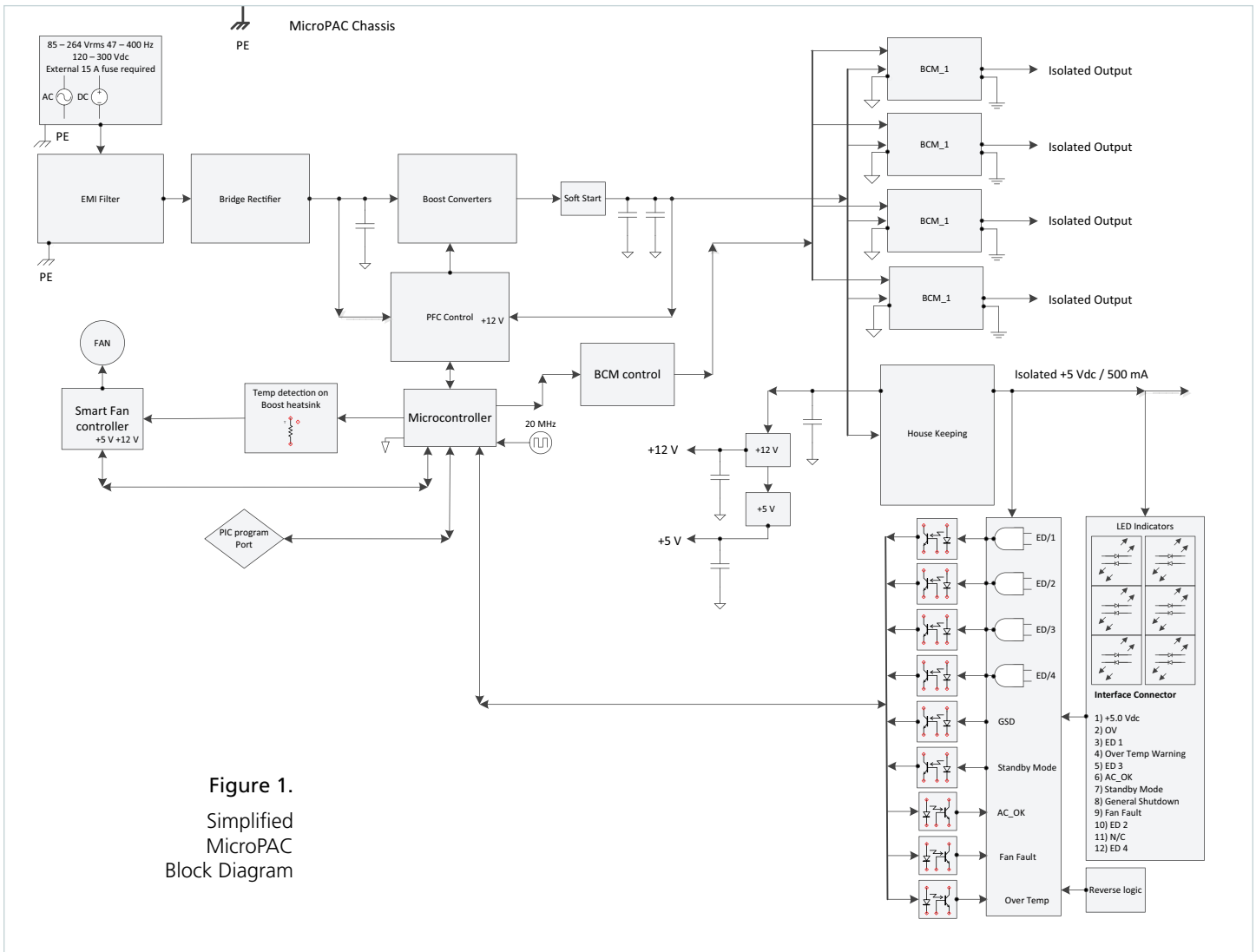
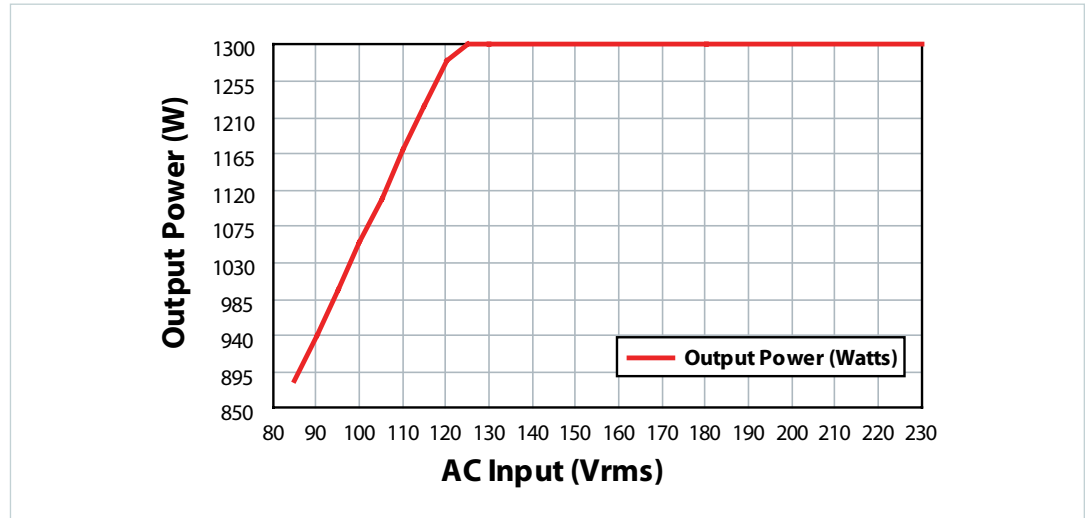


Figure 1.  
Simplified  
MicroPAC  
Block Diagram

## Output Power De-rating Curve

The MicroPAC is designed to operate from a single electrical phase; as such it can be operated directly from a normal wall outlet socket. These sockets are normally rated for 12 A continuous current draw and 15 A peak current draw. With this in mind it is necessary to institute a power de-rating curve to maintain the operational range of the MicroPAC within these boundaries.

Figure 2.  
Output Power De-rating Curve  
vs.  
AC Input Voltage



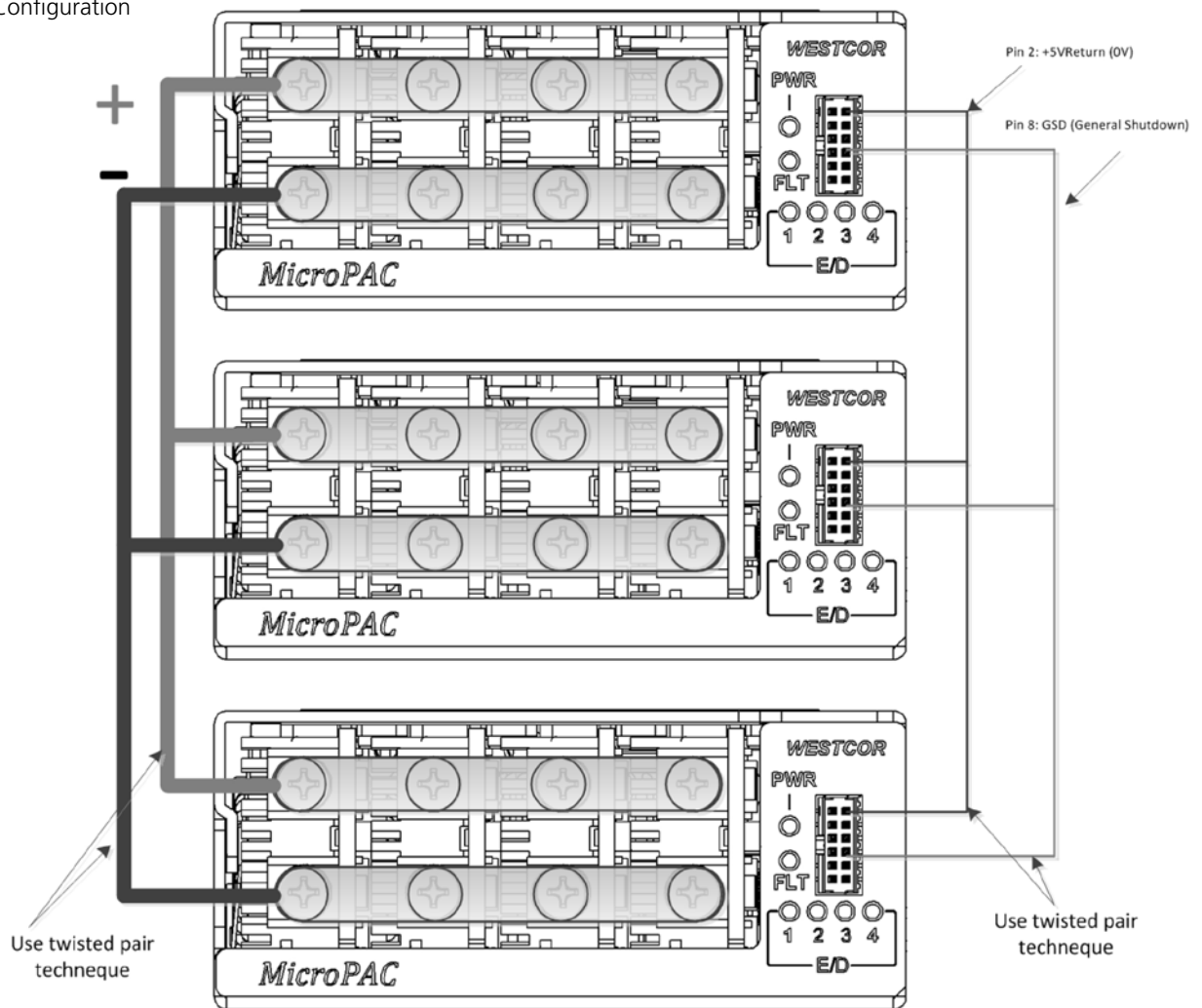
## MicroPAC to MicroPAC Configuration

The MicroPAC power supply's with the same output voltages can be placed in parallel arrays by connecting the output positive (+) and return (-) rails to the respective positive and return rails of the next MicroPAC. If individual Micro-PAC's are configured in an array it is necessary to make sure all MicroPAC are powered up at the same time. Where possible the same AC source should be used to power all MicroPAC's in the array.

**Pin 2** 0 V (+5 V return) of the customer interface connector should be daisy chained together on each MicroPAC in the array. The GSD signal **Pin 8** should also be daisy chained together and be used to turn on all outputs at the same time. The current sharing is achieved by using the droop sharing method and produces in the order of 5 -10% current sharing accuracy (contact factory for details). It is important to note that following good cable routing and symmetry is critical for good current sharing and load balancing.

**Pin 8** should be connected to **Pin 2** on power up of the array. This will ensure all outputs are held in the disabled state. Upon successful power up of the array **Pin 8** should be released and left open circuit, allowing all the outputs to be enabled.

Figure 3.  
MicroPAC to MicroPAC  
Configuration



---

## Power Shed Mode

### Introduction to the MicroPAC Power Shed Mode

The aim of the power shed mode is to increase the overall light load efficiency of the MicroPAC. This is achieved by minimizing the power dissipation when light load or no load conditions are present on the MicroPAC output.

The original concept of improving light load efficiency for VI Chip Bus Converter arrays was developed by Mr. Ankur Patel (Vicor Product Line Engineer).

The following is an alternative method of power shedding incorporated within the MicroPAC.

### Power Shed Mode Prerequisites

- Slots 1 to 4 must be populated
- All outputs must be the same voltage
- All slots must be configured in a parallel array
- Current rate slew rate not to exceed 20.8 A/s
- The PSM is not suitable for constant dynamic loads

### Configuring Power Shed Mode

The Power Shed Mode is factory configured.

### Power Shedding Bands

There are four operational modes for the power shedding scheme.

Table 2.  
Connector Kit  
(19-130066)  
Material List

Category	Customer Load	Output
1	0.0 – 250 W	Output 1, active
2	250 – 500 W	Output 1 and 2, active
3	500 – 750 W	Output 1, 2 and 3 active
4	750 – 1200 W / 1300 W	Output 1, 2, 3 and 4 active

## Power Shed Mode Functional Description

On power up with the power shed function enabled all four output channels are initially enabled, channel one to four LED's should be illuminated. Circuitry internal to the MicroPAC monitors the amount of current drawn from the MicroPAC and is proportional to the customer load.

**If the load falls into category 1,** the following will be observed.

After 5 seconds output 4 will turn off, after 10 seconds output 3 will turn off, after 15 seconds output 2 will turn off.

**If the customer load falls into category 2,** the following will be observed.

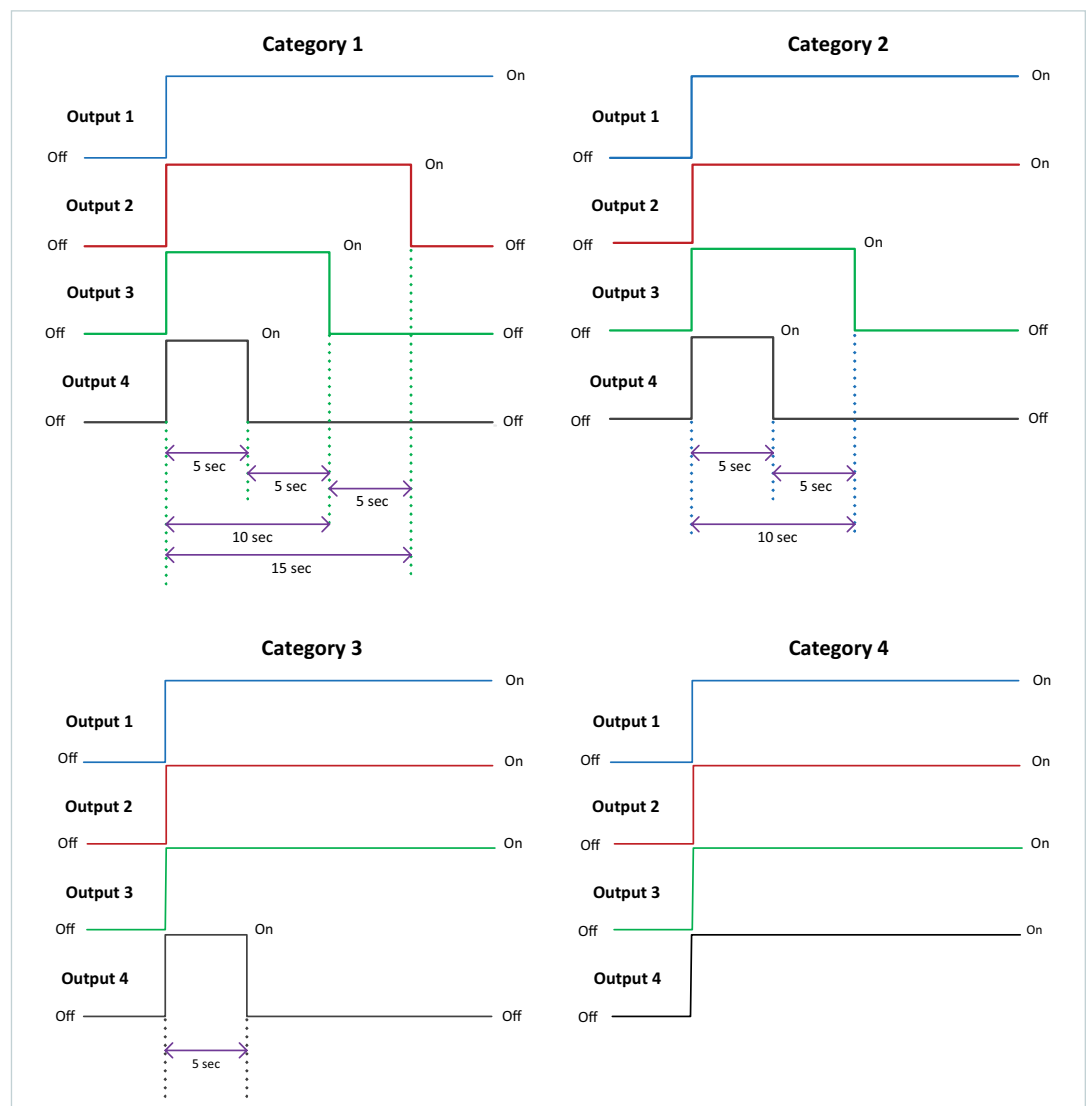
After 5 seconds output 4 will turn off, after 10 seconds output 3 will turn off, output 1 and 2 will remain on.

**If the customer load falls into category 3,** the following will be observed.

After 5 seconds output 4 will turn off, output 1, 2 and 3 will remain on.

If the customer load falls into category 4, all output will remain on.

Figure 4.  
Power Shed





## Shoot First, Ask Questions Later

When the MicroPAC is operating in categories 1 to 3 and detects an increase in load current applied to the output which incurs into the next power band the internal microcontroller will turn all outputs on, regardless of the actual amount of load added. (Shoot first ask question later) with all the outputs enabled, the microcontroller will turn off redundant outputs

In the Power Shed Mode this is a constant cycle of detecting output load and continually adjusting the outputs to satisfy that need.

## No Load Power Dissipation with and without Power Shed Mode

Figure 5.

No Load Power Dissipation @  
25°C with 12 V Output

With the power shed enabled  
the average power dissipation  
is about 7.05 W

With the power shed disabled  
the power dissipation  
is around 28.20 W

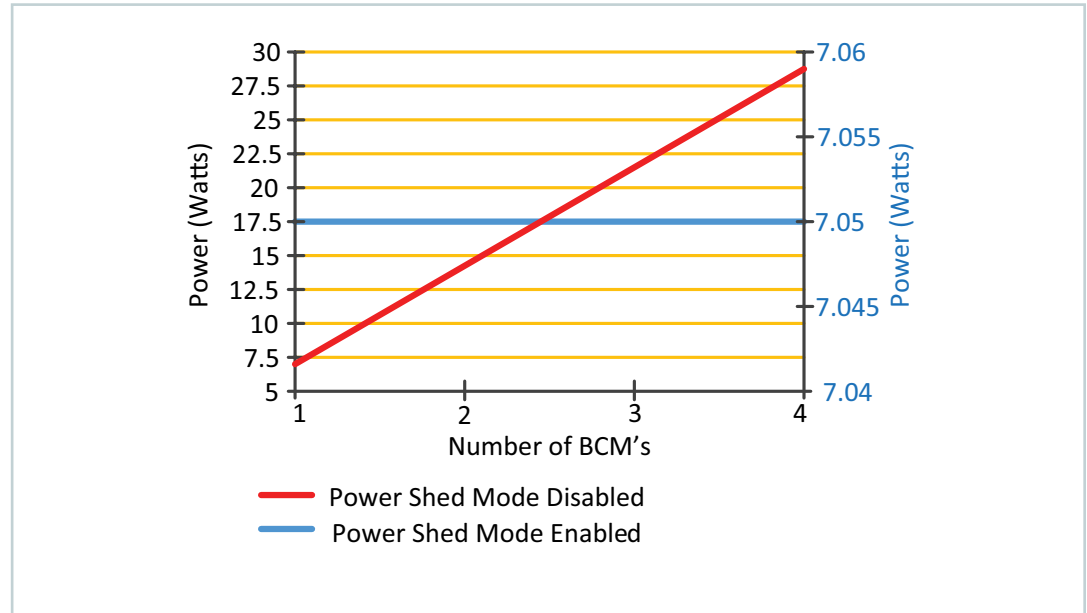
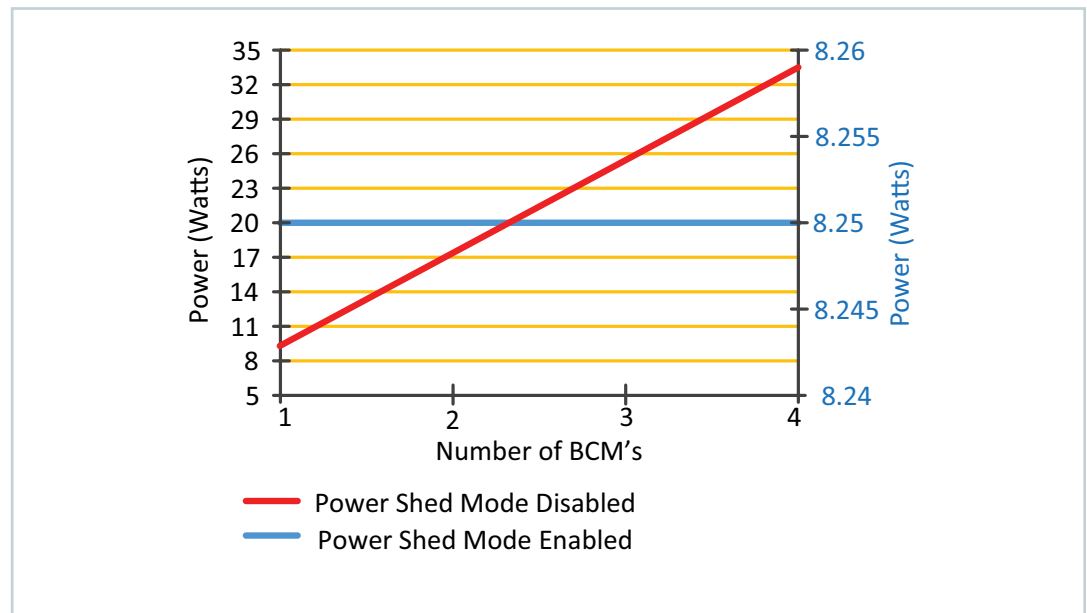


Figure 6.

No Load Power Dissipation @  
25°C with 48 V Output

With the power shed enabled  
the average power dissipation  
is about 8.25 W;

With the power shed disabled  
the power dissipation  
is around 33 W.



## Field Replacement Unit

Figure 6.  
Fan Assembly

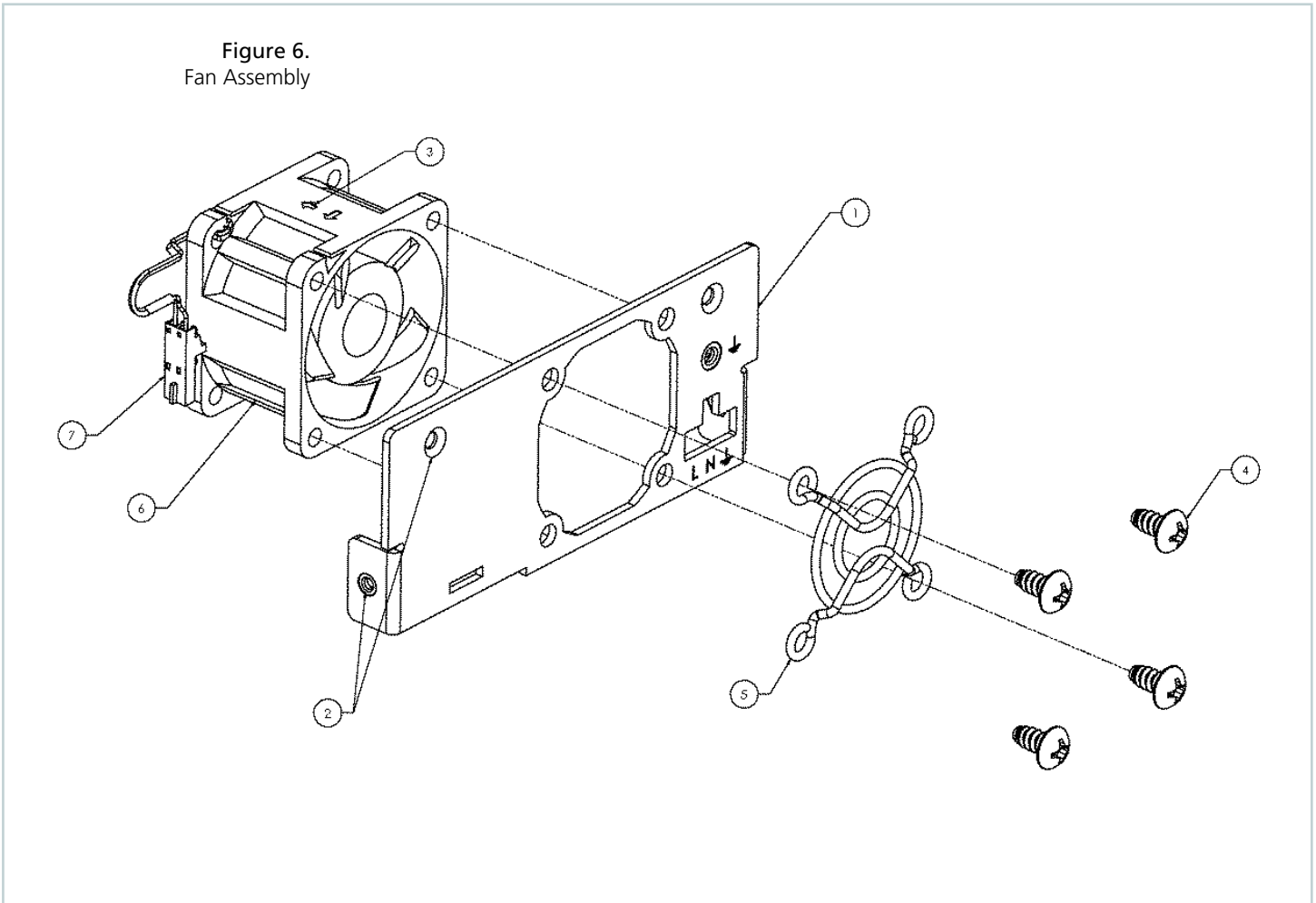


Table 3.  
Field Replacement Unit

Item	QTY	Description	Westcor Part Number
1	1	ASSY FAN AVC DV-12M 40X28MM 14.4 CFM	10-130240-01
2	1	ASSY FAN SANYO DENKI -40C J-SPEED 40X28MM 18.4 CFM	10-130241-01

---

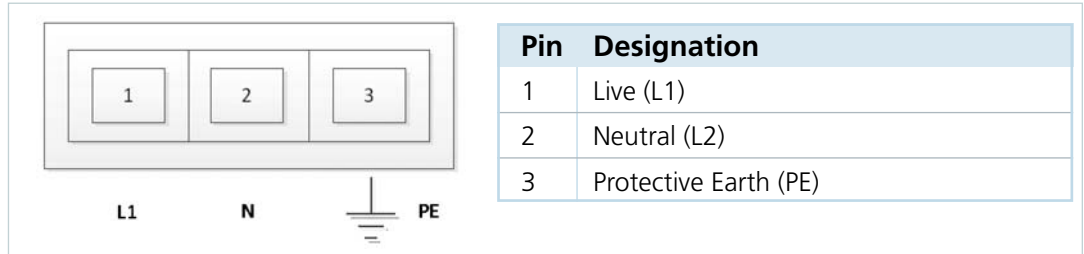
## Field Replacement Unit (Cont.)

### Instructions

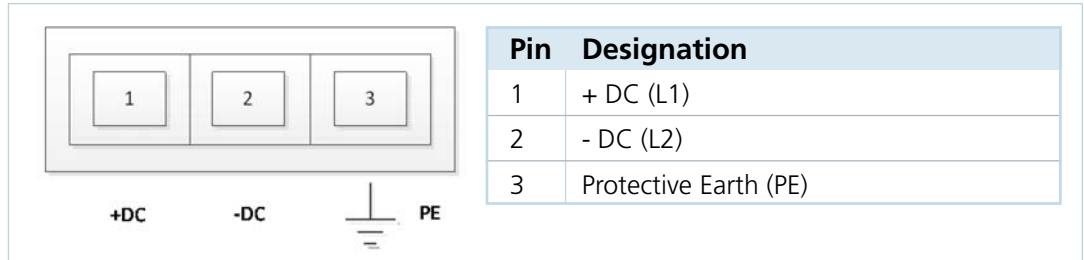
1. Remove input power connector.  
(this should never be attempted with the input power cable inserted)
2. Remove output power connections
3. Remove four screws, from the back panel **(Ref 1)** two either side **(Ref 2)**
4. Remove back panel **(Ref 1)**
5. Pull back the insulating material to gain access to the fan connector **(Ref 7)**
6. Depress the latching point on the fan connector **(Ref 7)**
7. The connector is polarized and removes vertically from the PCB housing
8. Remove four screws **(Ref 4)**. The fan guard and fan are now free from the back panel.
9. Insert new fan, making sure the arrow **(Ref 3)** is pointed in the direction shown.  
(Towards the inside of the MicroPAC)
10. Replace fan guard in the correct orientation **(Ref 5)**
11. Replace 4 screws **(Ref 4)**.  
The torque on these screw should be 5-6 inch-lb. (Friction tight)
12. Insert fan connector **(ref 7)** into the fan housing.  
When inserted correctly you will not be able to remove without depressing the latch
13. Fold the insulating material back
14. Replace the back panel **(ref 1)** making sure the fan wire is routed to the side of the fan.
15. Replace the four screws **(ref 2)**. The torque on these screw is 5-6 inch-lb
16. Never apply power to the MicroPAC until all of the reassembly is complete.

## Customer Interface

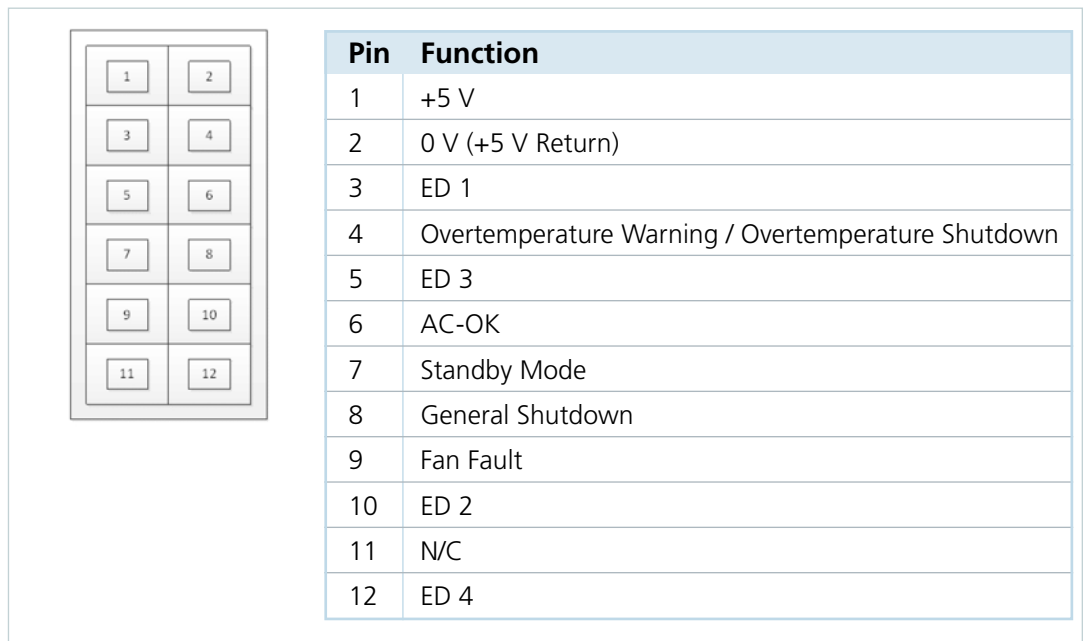
**Figure 7.**  
Input Power  
Connector Pin Designation  
**(AC Use Only)**



**Figure 8.**  
Input Power  
Connector Pin Designation  
**(DC Use Only)**



**Figure 9.**  
Customer Interface  
Pin Designation (J2)



**Table 4.**  
Connector Kit  
(19-130066)  
Material List

Item	QTY	Description	Westcor Part Number	Vendor #	Vendor Part Number
1	1	CONN HOUSING 12 POS MINITEK	63-00168-12	FCI	90311-012LF
2	12	TERM FEM CRIMP 26-30 AWG	63-00167-01	FCI	77138-101LF
		CRIMP TOOL FOR ITEM 2	-----	FCI	HT-151/RCY21151
3	1	CONN HOUSING 3 POS W/LATCH	63-00084-03	MOLEX	39-01-4030
4	3	TERM FEM CRIMP 16 AWG	63-000125-01	MOLEX	45750-3211
		CRIMP TOOL FOR ITEM 4	-----	MOLEX	11-01-0199

---

## J2 Customer Interface Signals

**Note:** All customer interface signals are referenced to the auxiliary +5 V return (**Pin 2**)

### Auxiliary Supply

- Pin 1** An auxiliary +5 V supply output is available with a maximum output of 500 mA (2.5 W).
- Pin 2** 0 V; this is the return for the above +5 V.

### ED/1 Enable/Disable Output Channel One

- Pin 3 ED/1:** This pin is normally at +5 V potential, this enables output channel one. To disable output one this pin should be shorted to **Pin 2**. If the output is disabled LED 1 will illuminate on the LED display until the output is enabled.

### Overtemperature Warning (Non Latching)

- Pin 4** This pin is normally held at +5 V potential when referenced to **Pin 2**. When running at 100% load at approximately 50°C ambient temperature the overtemperature warning signal will be pulled low, the fault LED indicator will illuminate solid yellow. This is just a warning that you are approximately +5°C away from the maximum operating temperature of the MicroPAC at full load.

### Overtemperature Shutdown (Latching)

- Pin 4** The same pin is used as the overtemperature warning.  
At approximately +56°C if running at 100% load the overtemperature shutdown is triggered. The fault LED previously illuminated a solid yellow due to the overtemperature warning will now begin to flash at approximately 2 Hz. All outputs of the MicroPAC will be automatically disabled. The power supply will go into a shutdown mode; however the fan will be left running to cool the unit, the MicroPAC will remain in shutdown mode until the temperature reaches an acceptable level and the power is recycled.

### ED/3 Enable/Disable Output Channel Three

- Pin 5 ED/3:** This pin is normally at +5 V potential, this enables output channel three. To disable channel three this pin should be shorted to **Pin 2**. If the output is disabled LED 3 will illuminate on the LED display until the output is enabled.

### Power

- Pin 6** If the AC or DC power input is present the pin is normally at +5 V potential when referenced to **Pin 2**. The blue power LED will illuminate. If the AC or DC input is lost **Pin 6** will fall to logic level zero and the blue power LED will turn off. This will allow a minimum 10 mS power loss warning to the customer.

---

## J2 Customer Interface Signals (Cont.)

### Standby Mode

**Pin 7** This pin is normally at +5 V potential when referenced to **Pin 2**. If this pin is shorted to **Pin 2** the MicroPAC will enter a low power standby mode. In this mode all outputs will be disabled, the main PFC power supply will be shut-down along with the fan. The blue power LED will change to an amber color. When the short is removed the power supply will return to normal operation and the power LED will turn to blue.

### General Shut Down (GSD)

**Pin 8** This pin is normally at +5V potential when referenced to **Pin 2**. If this pin is shorted to **Pin 2** all the channels will be disabled and all four of the GSD LED's (1-4) will illuminate.

### Fan Fault (Latching)

**Pin 9** This pin is normally at +5V potential when referenced to pin 2. In the event of the fan failing the detection circuit will shut the MicroPAC down, and illuminate the fault LED red. **Pin 9**; will go from logic high to logic low level during this event. The MicroPAC will be latched in this condition until power is removed for 30 seconds, upon reapplying power if the fault is still persist the power supply will latch in the shut-down mode until the fault has been cleared.

### Ed/2 Enable / Disable Output Channel Two

**Pin 10** This pin is normally at +5V potential, this enables output channel two. To disable channel two this pin should be shorted to **Pin 2**. If the output is disabled LED 2 will illuminate on the LED display until the output is enabled

### Not Connected

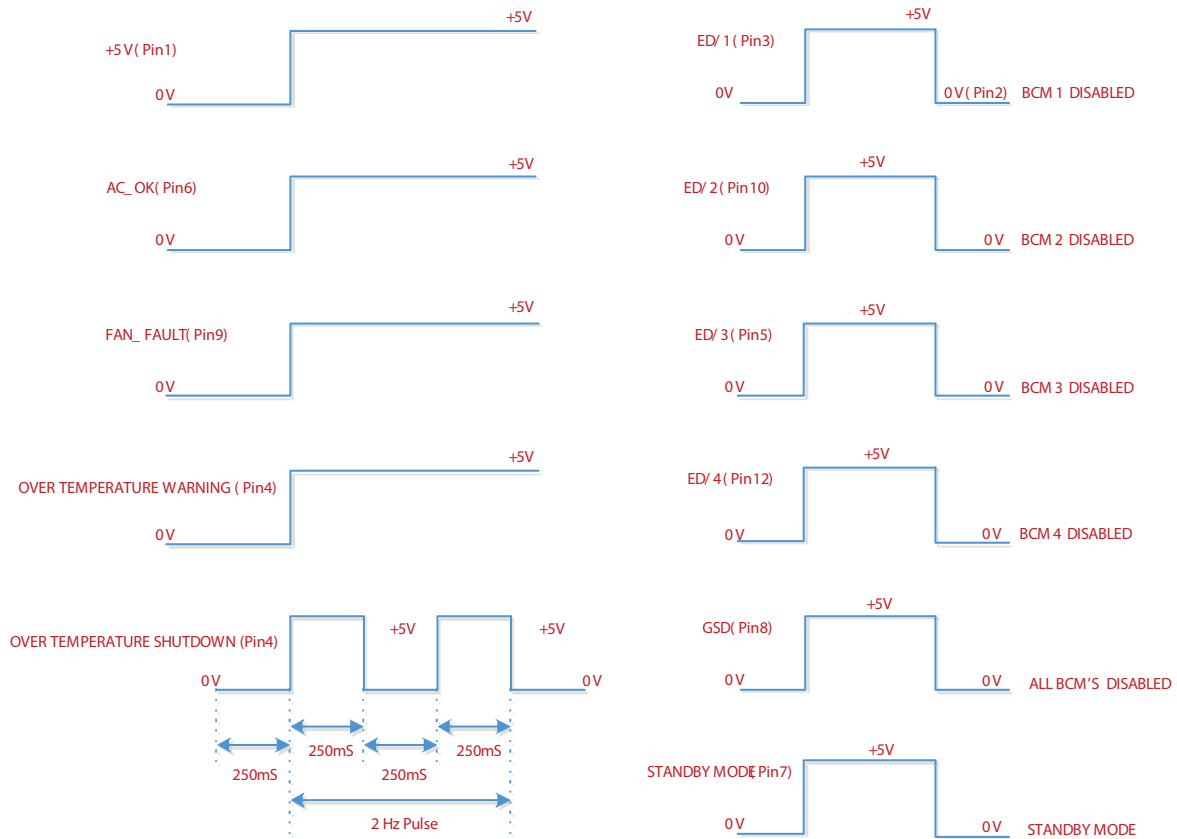
**Pin 11** **Pin 11** is not used

### Ed/4 Enable/Disable Output Channel Four

**Pin 12** This pin is normally at +5 V potential, this enables output channel four. To disable channel four this pin should be shorted to **Pin 2**. If the output is disabled LED 4 will illuminate on the LED display until the output is enabled.

## J2 Customer Interface Signals (Cont.)

Figure 10.  
Output TTL logic Signals



## Mechanical

### Physical Weight

2.15 Lbs.

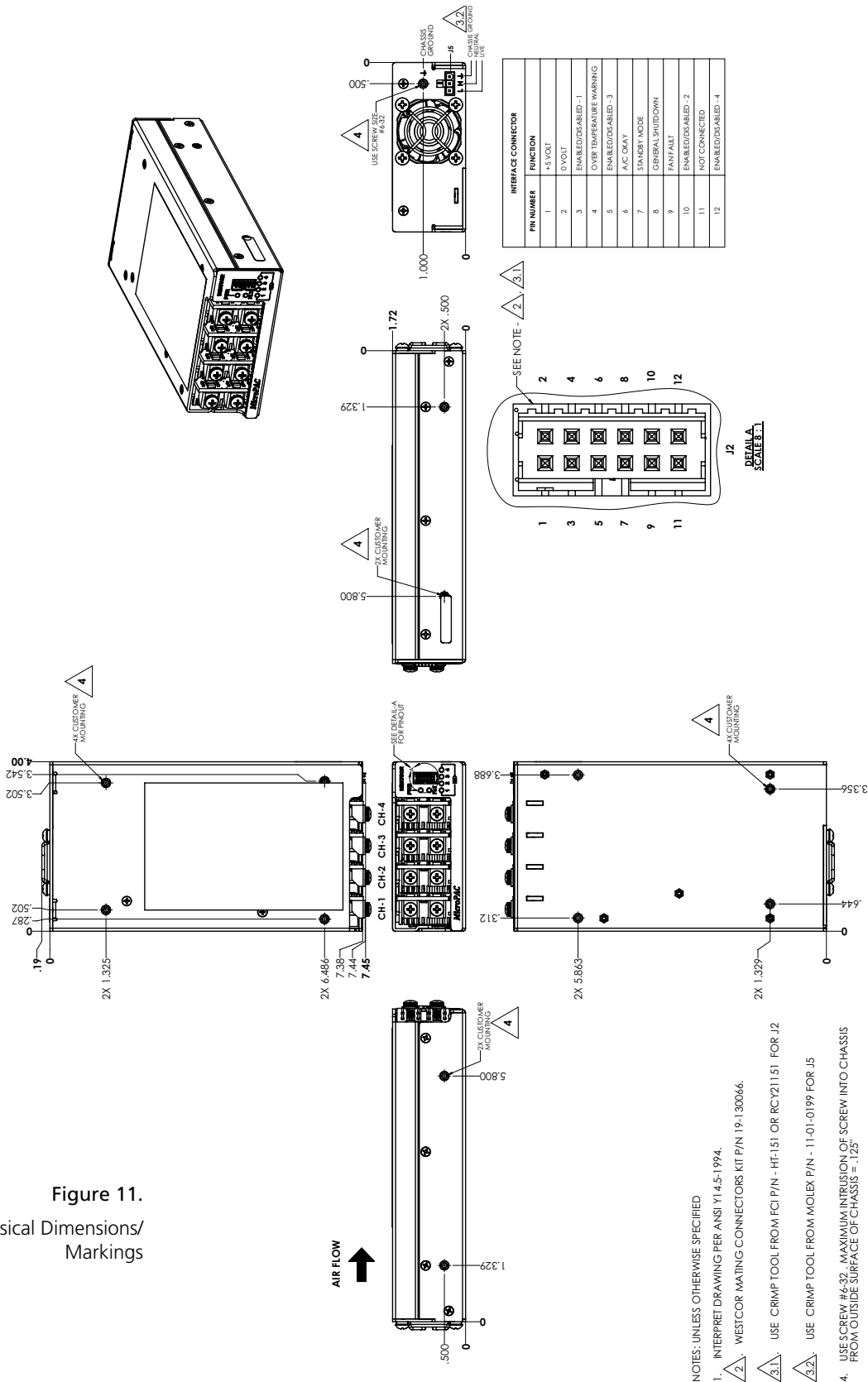


Figure 11.  
Physical Dimensions/  
Markings



## Front Panel

Figure 12.  
LED Indicator Panel

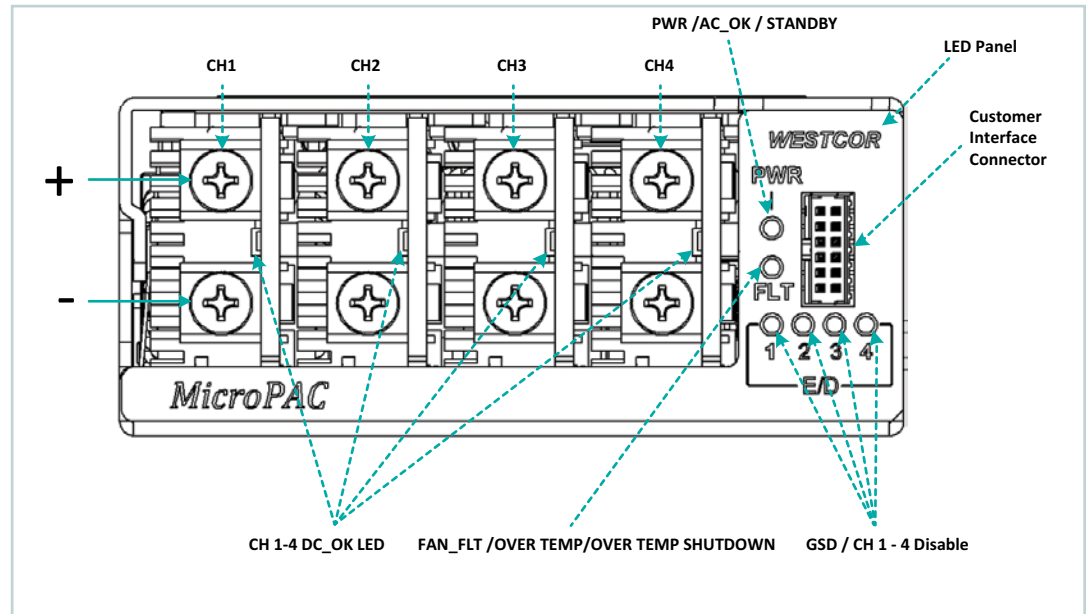


Table 5.  
LED Function

LED #	Function 1	Color	Function 2	Color
1	ED 1	Orange	GSD (General Shutdown)	Yellow/Green
2	ED 2	Orange	GSD	Yellow/Green
3	ED 3	Orange	GSD	Yellow/Green
4	ED 4	Orange	GSD	Yellow/Green
FLT	Fan Fault	Red	Overtemperature warning	Yellow
			Overtemperature shut down	2 Hz Flashing Yellow
PWR	AC-OK	Blue	Standby	Amber

## Model Numbering Scheme

**Model Number:**      **UPa - bbbb - cde**

Where

**a** = number of outputs from 1 to 4

**b** = equals a character denoting output 1 voltage and power

**b** = equals a character denoting output 2 voltage and power

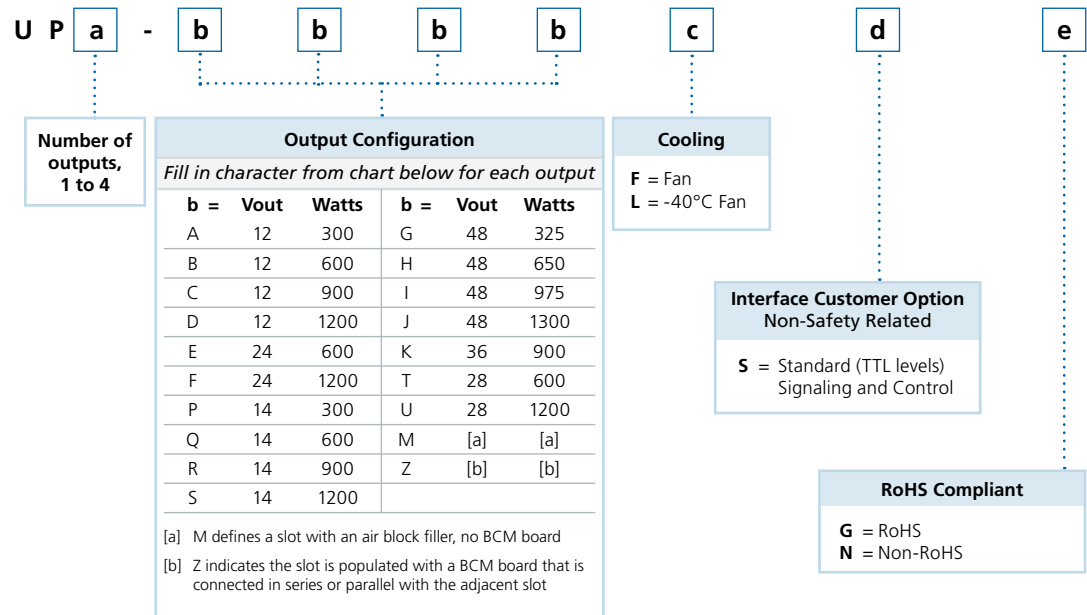
**b** = equals a character denoting output 3 voltage and power

**b** = equals a character denoting output 4 voltage and power

One character will denote a null for an output

**c, d, e** will be characters denoting box level options such as fan cooling, conduction cooling, convection cooling, interfacing scheme, and RoHS status.

Output Voltage and Voltage Table (bbbb)					
Character	Vout	Watts	Character	Vout	Watts
A	12	300	G	48	325
B	12	600	H	48	650
C	12	900	I	48	975
D	12	1200	J	48	1300
E	24	600	K	36	900
F	24	1200	T	28	600
P	14	300	U	28	1200
Q	14	600	Z	NULL	NULL
R	14	900			
S	14	1200			



Examples

**UP1-FZZZ-FSG** Denotes a single output of 24 V 1200 W with a standard fan, standard TTL signaling and control, RoHS compliant

**UP4-AAAA-LSN** Denotes 4 output unit, each output is 12 V 300 W. The fan is a -40°C capable unit, standard TTL signaling, and the unit is non-RoHS

## Specifications

<b>Input</b>			
Input Voltage	85 – 264 Vac		DC Rating: 120 Vdc – 300 Vdc
External Fuse	(¼" x 1¼") Cooper Bussmann, ABC-15, rated 15 A Littelfuse, 505 series, rated 16 A/500 Vac		(5 x 20 mm) Littelfuse, 216 series, rated 16 A (¼" x 1¼") Littelfuse, 505 series, rated 16 A/500 Vdc
Frequency	47 ~ 400 Hz		
Inrush Current	30 A Peak		
Efficiency	≥92% @ Full load @ 25°C ambient 48 V output		≥91% @ Full load @ 25°C ambient 12 V output
Power factor (115 – 230 Vrms)	0.99/0.96 typical; Meets EN61000-3-2		
Turn-on time	AC on: 1 sec typical; 1.5 sec maximum		
Conducted EMI	EN55022 Class B Information technology equipment — Radio disturbances characteristics — Limits and methods of measurement BS EN55022:1998; CISPR 22:1997, incorporating corrigendum		
Harmonic distortion	Meets IEC 61000-3-2		
Isolation	Meets IEC 60950		
Leakage current	<3.5 mA @ 264 Vac @ 63 Hz		
Hold up time	20 mS typical		
Warranty	2 Years		
<b>Output</b>			
Number of outputs	1 to 4		
Normal output voltages	12 V, 14 V, 24 V, 28 V, 36 V and 48 V (contact factory for details)		
Maximum output current	100 A @ 12 V	85.7 A @ 14 V	[27 A @ 48 V]
Auxiliary output	5 V @ 0.5 A 50 mV p-p		
Voltage regulation	12 V ± 3% typical	14 V ± 3% typical	48 V ± 2% typical
Ripple and noise (20 MHz bandwidth) (Full load)	12 V output (150 mV – 300 mV p-p) typical 14 V output (150 mV – 300 mV p-p) typical 48 V output (600 mV – 900 mV p-p) typical		
Current sharing accuracy	5 to 10%		
Short circuit protection	"Fold-Back" Technique		
Over voltage protection	12 V output set point 12.5 V typical	48 V modules 50 V typical	
Thermal protection	All outputs disabled when internal temperature exceeds safe operating		
Maximum load	12 V up to 1200 W		
Maximum load	48 V up to 1300 W		
Maximum load	5.0 V Aux up to 2.5 W		
Maximum load capacitance	1000 µF per 12 V output		100 µF per 48 V output

## Specifications (Cont.)

<b>Environmental</b>	
Storage temperature	-40°C ~ +85°C
Operating temperature	-20°C ~ +55°C (-20°C to +65°C @50% load) (Extended temperature range is available; -40°C to +55°C) (+65°C @50% load)
Functional shock	MIL-STD 810F Method 516.5 procedure 1, terminal peak saw-tooth wave, 40G 11 mS
Vibration	MIL-STD 810G for minimum integrity vibration
Humidity	95% non condensing
Cooling	Fan cooled (field replaceable) temperature speed control
<b>Electromagnetic Compatibility</b>	
	EN61000-6-1n European General EMC Immunity
IEC 61000-4-11 [50 Hz]	Voltage Dips 30% for 0.5 prd, pc C Voltage Interrupts (pc C)
IEC 61000-4-4 [TRANSIENT]	EFT/Burst ± 1 kV AC leads ± 500 V DC leads. 5/50 nsec 5 kHz rep rate (pc B)
IEC 61000-4-5 [SURGE]	Power line Surge AC in ± 2 kV CM ± 1 kV DM DC in ± 500 V CM & DM 1.2/μSec (pc B)
EN 61000-4-6 [0.15 to 80 MHz]	RF Common Mode Input leads, AC & DC leads, CDN 150 kHz to 80 MHz, 3 Vrms with 80% AM @1 kHz (pa A)
EN 61000-4-2 [ELECTROSTATIC]	Electrostatic Discharge ± 4 kV Contact ± 8 kV Discharge (pc B)
EN 61000-4-3	RF E-Field 80 MHz to 1 GHz 3 V/m with 80% AM @ 1 kHz (pc A)
EN 61000-4-8	Power Freq H-Field 3A/M @ 50 Hz (pa A)
<b>Reliability</b>	
FIT	3,449 FITS, 50% duty cycle at 25°C ambient; 45% RH ± 10%, 90% total output load; any specified input voltage; sea level operation.
Service life	5 Years
<b>Safety &amp; Regulatory</b>	
UL	UL 60950-1:2007 CAN C22.2 No. 60950-1-07
CSA	CSA*60950 3rd Edition (CB Report to include all national deviations)
EN	EN 60950-1/A12:2011
IEC	60950-1-2005 2 Ed. +A1:2009

**Vicor's comprehensive line of power solutions includes high density AC-DC and DC-DC modules and accessory components, fully configurable AC-DC and DC-DC power supplies, and complete custom power systems.**

Information furnished by Vicor is believed to be accurate and reliable. However, no responsibility is assumed by Vicor for its use. Vicor makes no representations or warranties with respect to the accuracy or completeness of the contents of this publication. Vicor reserves the right to make changes to any products, specifications, and product descriptions at any time without notice. Information published by Vicor has been checked and is believed to be accurate at the time it was printed; however, Vicor assumes no responsibility for inaccuracies. Testing and other quality controls are used to the extent Vicor deems necessary to support Vicor's product warranty. Except where mandated by government requirements, testing of all parameters of each product is not necessarily performed. Specifications are subject to change without notice.

**Vicor's Standard Terms and Conditions**

All sales are subject to Vicor's Standard Terms and Conditions of Sale, which are available on Vicor's webpage or upon request.

**Product Warranty**

In Vicor's standard terms and conditions of sale, Vicor warrants that its products are free from non-conformity to its Standard Specifications (the "Express Limited Warranty"). This warranty is extended only to the original Buyer for the period expiring two (2) years after the date of shipment and is not transferable.

UNLESS OTHERWISE EXPRESSLY STATED IN A WRITTEN SALES AGREEMENT SIGNED BY A DULY AUTHORIZED VICOR SIGNATORY, VICOR DISCLAIMS ALL REPRESENTATIONS, LIABILITIES, AND WARRANTIES OF ANY KIND (WHETHER ARISING BY IMPLICATION OR BY OPERATION OF LAW) WITH RESPECT TO THE PRODUCTS, INCLUDING, WITHOUT LIMITATION, ANY WARRANTIES OR REPRESENTATIONS AS TO MERCHANTABILITY, FITNESS FOR PARTICULAR PURPOSE, INFRINGEMENT OF ANY PATENT, COPYRIGHT, OR OTHER INTELLECTUAL PROPERTY RIGHT, OR ANY OTHER MATTER.

This warranty does not extend to products subjected to misuse, accident, or improper application, maintenance, or storage. Vicor shall not be liable for collateral or consequential damage. Vicor disclaims any and all liability arising out of the application or use of any product or circuit and assumes no liability for applications assistance or buyer product design. Buyers are responsible for their products and applications using Vicor products and components. Prior to using or distributing any products that include Vicor components, buyers should provide adequate design, testing and operating safeguards.

Vicor will repair or replace defective products in accordance with its own best judgment. For service under this warranty, the buyer must contact Vicor to obtain a Return Material Authorization (RMA) number and shipping instructions. Products returned without prior authorization will be returned to the buyer. The buyer will pay all charges incurred in returning the product to the factory. Vicor will pay all reshipment charges if the product was defective within the terms of this warranty.

**Life Support Policy**

VICOR'S PRODUCTS ARE NOT AUTHORIZED FOR USE AS CRITICAL COMPONENTS IN LIFE SUPPORT DEVICES OR SYSTEMS WITHOUT THE EXPRESS PRIOR WRITTEN APPROVAL OF THE CHIEF EXECUTIVE OFFICER AND GENERAL COUNSEL OF VICOR CORPORATION. As used herein, life support devices or systems are devices which (a) are intended for surgical implant into the body, or (b) support or sustain life and whose failure to perform when properly used in accordance with instructions for use provided in the labeling can be reasonably expected to result in a significant injury to the user. A critical component is any component in a life support device or system whose failure to perform can be reasonably expected to cause the failure of the life support device or system or to affect its safety or effectiveness. Per Vicor Terms and Conditions of Sale, the user of Vicor products and components in life support applications assumes all risks of such use and indemnifies Vicor against all liability and damages.

**Intellectual Property Notice**

Vicor and its subsidiaries own Intellectual Property (including issued U.S. and Foreign Patents and pending patent applications) relating to the products described in this data sheet. No license, whether express, implied, or arising by estoppel or otherwise, to any intellectual property rights is granted by this document. Interested parties should contact Vicor's Intellectual Property Department.

**Vicor Corporation**

25 Frontage Road  
Andover, MA, USA 01810  
Tel: 800-735-6200  
Fax: 978-475-6715

*The Power Behind Performance*

**Email**

Customer Service: [custserv@vicorpower.com](mailto:custserv@vicorpower.com)  
Technical Support: [apps@vicorpower.com](mailto:apps@vicorpower.com)