

NO.	MATERIAL	FINISH . REMARKS	NO.	MATERIAL	FINISH . REMARKS
2	PHOSPHOR BRONZE	CONTACT AREA: Au 0.05 μm MIN SMT LEAD: Au 0.05 μm MIN UNDERPLATING: NICKEL 1 μm MIN	6	PS	CLEAR, REINFORCEMENT COLLAR
			5	PS	BLACK, PLASTIC REEL
			4	POLYESTER	CLEAR, COVER TAPE
1	LCP	BLACK, UL94V-0	3	PS	CLEAR, EMBOSSED CARRIER TAPE

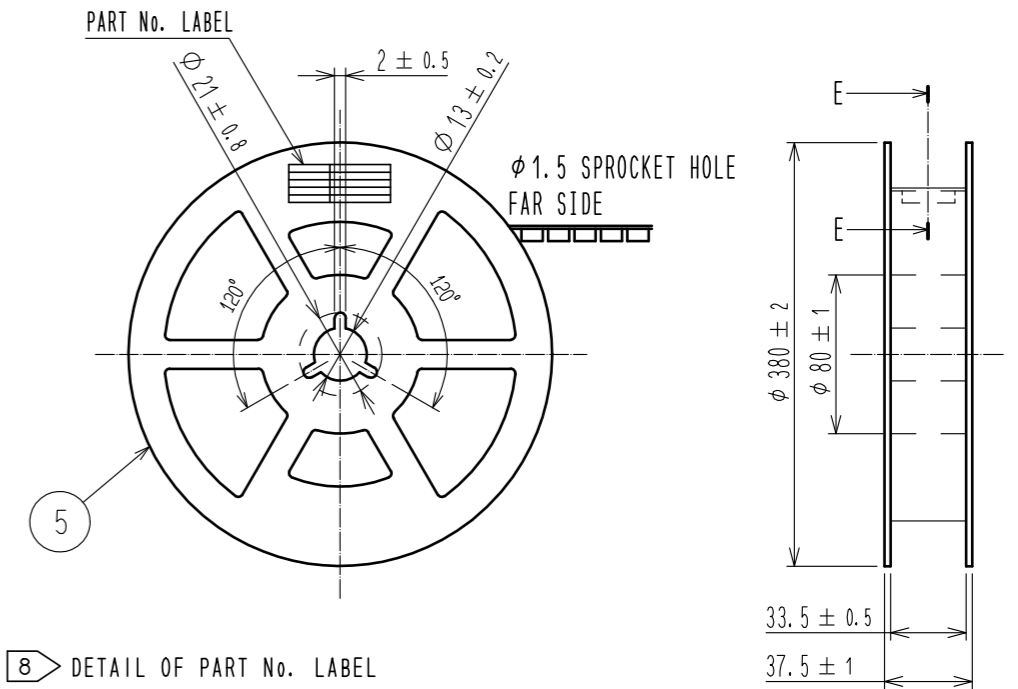
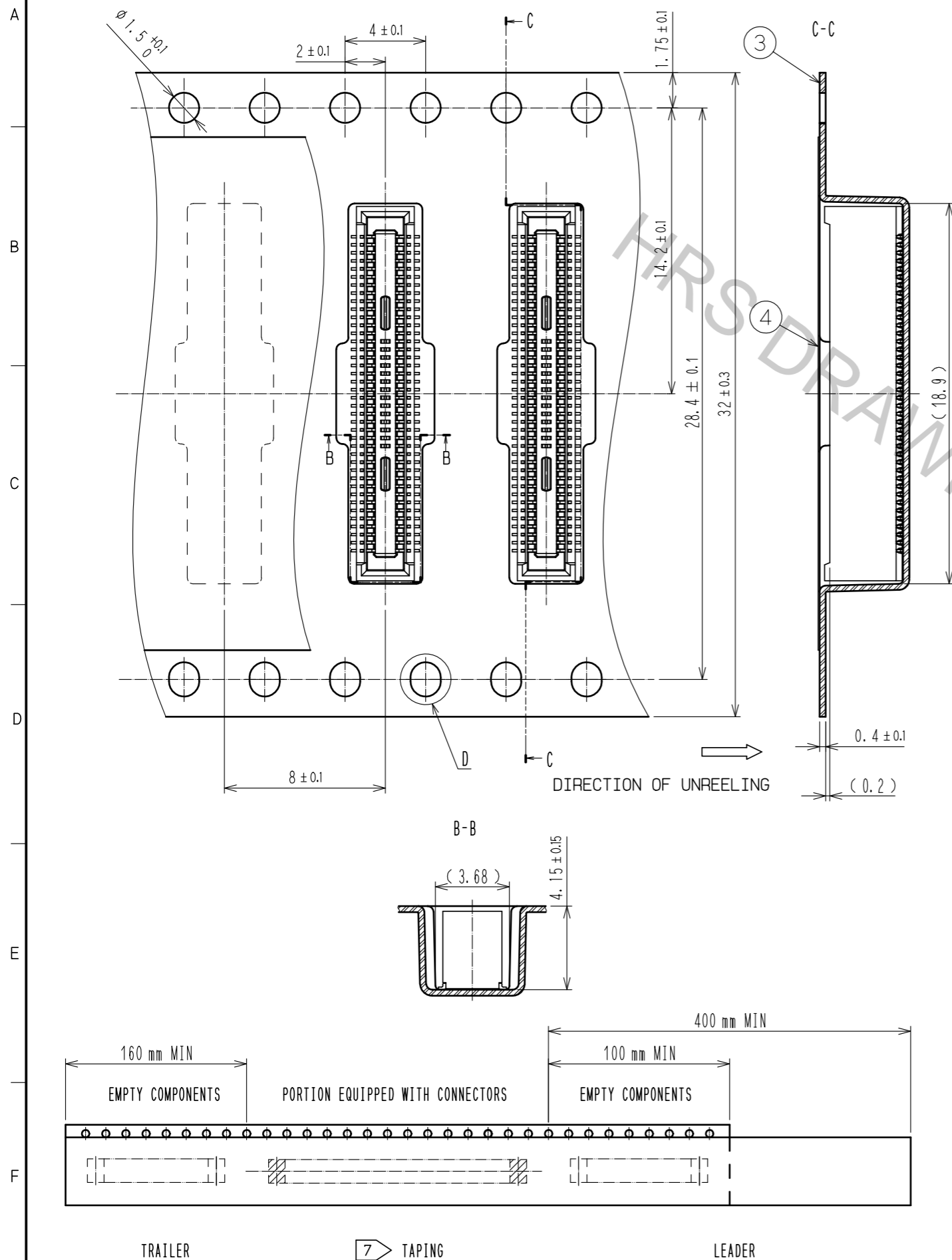
UNITS	SCALE	COUNT	DESCRIPTION OF REVISIONS	DESIGNED	CHECKED	DATE
mm	10 : 1	△	APPROVED : MO. ISHIDA 15.11.27			
			CHECKED : TS. MIYAZAKI 15.11.27			
			DESIGNED : SH. HOSODA 15.11.27			
			DRAWN : KR. AJITO 15.11.27			

DRAWING NO.	EDC-325389-58-01
PART NO.	DF40HC(4.0)-80DS-0.4V(58)
CODE NO.	CL684-4140-4-58

EMBOSSED CARRIER TAPE PACKING(FREE)

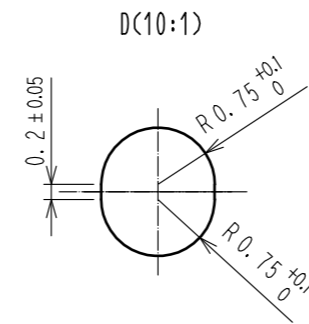
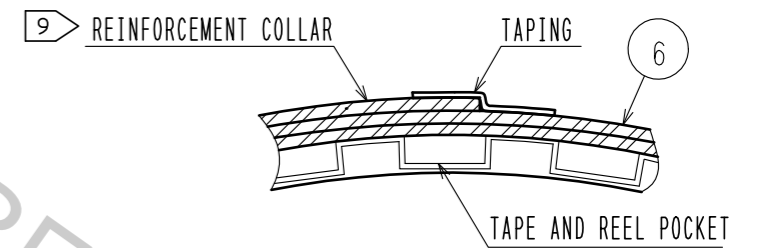
STYLE AND DIMENSION OF REEL(FREE)



8) DETAIL OF PART No. LABEL

製造年月日	** ** *
製品コード	CL684-4140-4-58
製品名	DF40HC(4.0)-80DS-0.4V(58)
数量	1000
納入者	ヒロセ電機(株)

E-E(FREE)



- NOTES
- PER REEL 1000 CONNECTORS.
  - THE DIMENSIONS IN PARENTHESES ARE FOR REFERENCE.
  - REFER TO JIS C 0806, IEC 60286-3 (PACKING OF COMPONENTS FOR AUTOMATIC HANDLING)
  - DETAIL OF PART No. LABEL IS WRITTEN IN JAPANESE. PART No. LABEL DESCRIBES THE FOLLOWING INFORMATION FROM TOP.  
 PRODUCTION DATE:  
 PRODUCT CODE: CL684-4140-4-58  
 PART NUMBER: DF40HC(4.0)-80DS-0.4V(58)  
 NUMBER OF PIECES: 1000 PIECES  
 SUPPLIER NAME: HIROSE ELECTRIC CO., LTD.
  - AFTER PACKAGING, ROLL 2 METERS OF THE REINFORCEMENT COLLAR TO OUTER CIRCUMFERENCE OF TAPE AND REEL POCKET, AND TAPE DOWN AT THE END THE COLLAR.

<b>HRS</b>	DRAWING NO.	EDC-325389-58-01
	PART NO.	DF40HC(4.0)-80DS-0.4V(58)
	CODE NO.	CL684-4140-4-58
		$\triangle$ 2/2