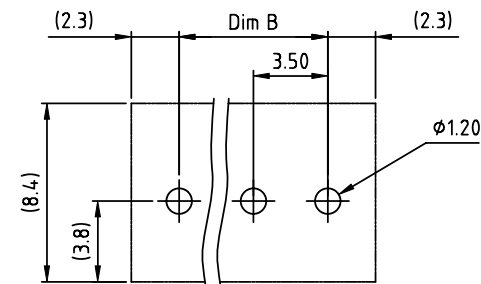
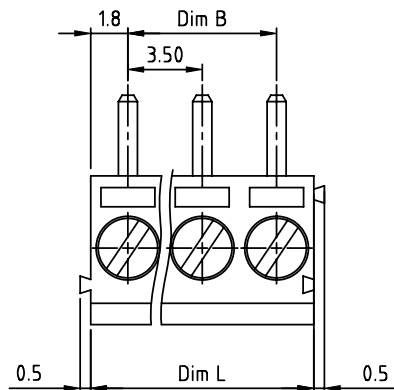


PRODUCT NUMBER	PITCH
TFxx01xx00J0G	3.50 mm



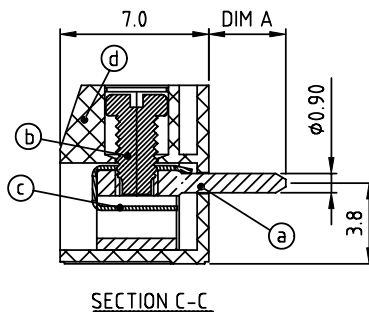
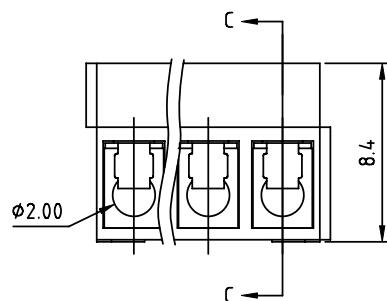
RECOMMENDED P.C.B LAYOUT  
TOP VIEW

Material:

- Item ① Terminal body(metal housing): Brass(CuZn),Tin plated
- Item ② Terminal screw: Steel Zinc plating "-" slot type
- Item ③ Wire guard :stainless steel
- Item ④ Insulator (housing): Thermoplastic (UL94V-0)

Electrical UL / CSA

- Voltage rating: 125V/125V
- Current rating: 10A/10A
- Wire range:
  - Solid wire(AWG): 16-26
  - Stranded wire(AWG): 16-26
- Torque: 1.7Lb-In/4kgf.cm
- Screw: M2
- Wire strip length: 5-6mm
- Withstanding Voltage: 1.25KV/1.25KV
- Operating temperature: -40°C to +115°C
- Soldering temperature: 260°C±5°C/5 Sec
- Safety Approval:



SECTION C-C

N = Number of poles  
Dim L=Nx3.5  
Dim B=(N-1)x3.5  
N=Number of Poles

Poles	Tolerance
2p-5p	±0.15
6p-10p	±0.20
11p-15p	±0.25
16p-20p	±0.35
21p-24p	±0.40

PART NO.: TF xx 01 x x 00J0 G

	Body Color	DIM A Length	RoHS compliant
End stackable	0 Black (RAL9005)	0 4.4mm	(lead-4%)
No. of poles	2 Red (RAL3001/D)	1 3.8mm	In copper Alloy
02 2 poles	3 Orange(RAL2011/P)	2 3.5mm	
03 3 poles	4 Yellow(RAL1018/A)		
...	5 Green(RAL6018/T)		
24 24 poles	6 Blue (RAL5015/A)		
	8 Grey(RAL7035/D)		
	9 White(RAL1102)		
	C Green(RAL6018/U)		

mat'l. code		surface ASME Y14.5	tolerance ASME Y14.5	projection	product family TERMINAL BLOCK
ltr	ecn no	dr	date	 MM scale	title TERMINAL BLOCK WIRE PROTECTOR,90D WIRE INLET
angles $X^{\circ}\pm 1'$					$X.\pm 0.5$ $X.X\pm 0.3$ $X.XX\pm 0.1$
dr	ENGR	ENGR	chr	appd	 type CUSTOMER Drawing
EVIN ZHONG	033114	EVIN ZHONG	HANKE FENG	SHI JUN	
033114	033114	033114	033114	033114	
sheet index	revision	A	sheet	1	