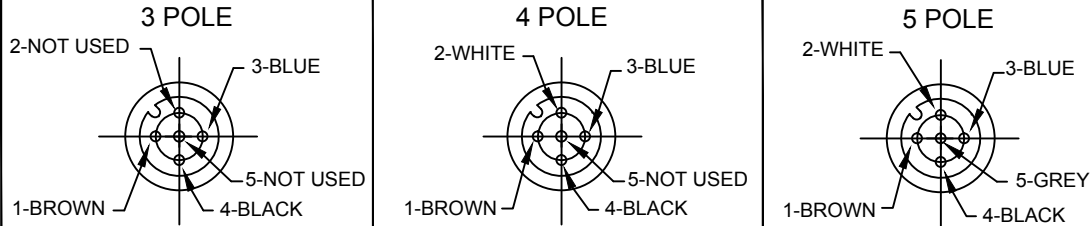
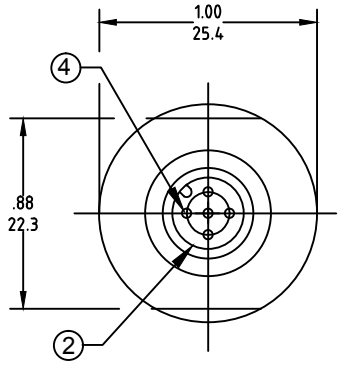


10 9 8 7 6 5 4 3 2 1

**FRONT VIEW  
FEMALE INSERT CONFIGURATION CHART**

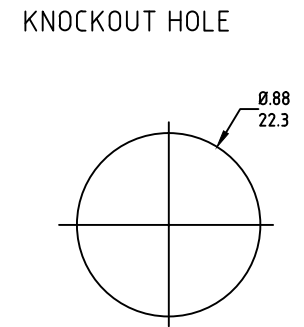
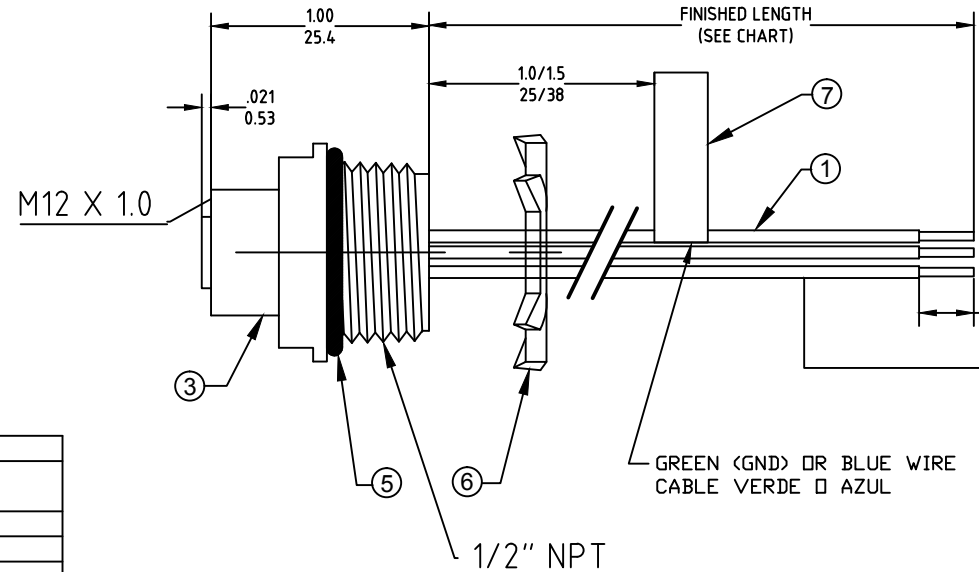


POLE	MATERIAL NO.	ENGINEERING NO.	FINISHED LENGTH
3	120070	8R3000A16A120	12.0" +.75"-0 (.3M +19mm-0)
4	1200700170	8R4000A16M020	6'7"+3.50"-0 (2M +88.9mm-0)
5	1200700246	8R5000A16M010	3'3"+2.19"-0 (1M +55.6mm-0)



**CONNECTOR SPECIFICATION:**

VOLTAGE RATING 3 - 4 PIN	250V per IEC 60664
VOLTAGE RATING 5 PIN	60V per IEC 60664 250V per UL 2238
AMPERAGE RATING	4 AMPS
PROTECTION	IP67
OPERATING TEMPERATURE	-20°C TO 80°C
UL CERTIFICATIONS	UL LISTED, FILE NO. E152210
CSA CERTIFICATIONS	CSA CERTIFIED, FILE NO. LR6837



PVC WIRE, 0.34mm  
(SEE TABLE FOR COLOURS)

GREEN (GND) OR BLUE WIRE  
CABLE VERDE O AZUL

ITEM	COMPONENT	MATERIAL	FINISH
7	LABEL	MYLAR	BLACK/YELLOW
6	LOCKNUT	STEEL	ZINC PLATED
5	O-RING	VITON	BLACK
4	CONTACT SOCKET	COPPER ALLOY	GOLD OVER NICKEL
3	SHELL FM M12x1	DIE CAST ZINC	NICKEL PLATED
2	MALE INSERT	NYLON	BLACK
1	CONDUCTOR- 18 AWG 3-5 CONDUCTOR 300V	PVC	SEE WIRING DIAGRAMM

NEW SALES DOC  
EC NO: IPG2017-0318  
DRWN: BBRAUCH 2016/09/21  
CHKD: RSILLER 2016/09/21  
APPR: RSILLER 2013/02/07

QUALITY SYMBOLS  
▽=0  
▽=0

	GENERAL TOLERANCES (UNLESS SPECIFIED)	
	mm	INCH
4 PLACES	±.---	±.---
3 PLACES	±.---	±.---
2 PLACES	±.---	±.01
1 PLACE	±0.3	±.---
ANGULAR ±2°		
DRAFT WHERE APPLICABLE MUST REMAIN WITHIN DIMENSIONS		

DIMENSION STYLE	
INCH	MM
DRAWN BY	DATE
RSTONE	2012/11/05
CHECKED BY	DATE
K JOZWIK	2012/11/28
APPROVED BY	DATE
JFMURPHY	2013/02/07
MATERIAL NO.	DOCUMENT NO.
SEE CHART	SD-120070-043

SCALE	DESIGN UNITS	THIRD ANGLE PROJECTION
4:1	INCH	☉
<b>MICRO CHANGE RECEPTACLE 3-5 POLE FEMALE #18/3-5 AWG PVC WIRING</b>		
<b>MOLEX INCORPORATED</b>		
SHEET NO.		1 OF 1

THIS DRAWING CONTAINS INFORMATION THAT IS PROPRIETARY TO MOLEX INCORPORATED AND SHOULD NOT BE USED WITHOUT WRITTEN PERMISSION

10 9 8 7 6 5 4 3 2 1