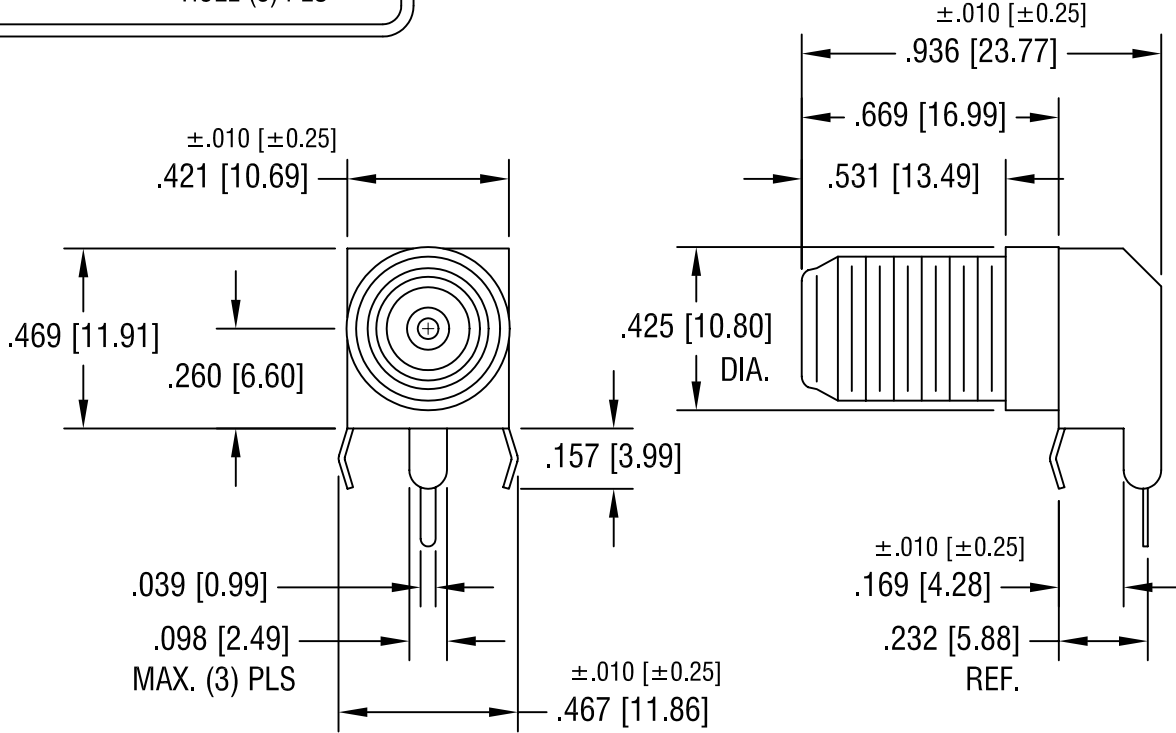
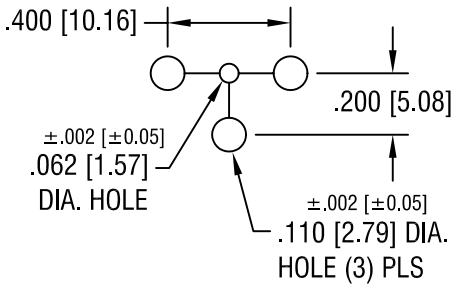


THIS DOCUMENT IS THE PROPERTY OF
KEYSTONE ELECTRONICS CORP. AND
SHALL NOT BE REPRODUCED, DISTRIBUTED
OR USED AS A BASIS FOR MANUFACTURE
WITHOUT PRIOR WRITTEN PERMISSION
FROM KEYSTONE ELECTRONICS CORP.

MOUNTING DETAIL



NOTES:

1. BRACKET:
MAT'L - STEEL, TIN PLATE
- CONTACT:
MAT'L - BRASS, TIN PLATE
- THREADED BODY: 3/8-32 TH'D
MAT'L - BRASS, NICKEL PLATE
- INSULATOR:
MAT'L - POLYPROPELENE
2. ONE (1) NUT & ONE (1)
FLATWAHER SUPPLIED.

KEYSTONE ELECTRONICS CORP.			
ASTORIA, N.Y. 11105-2017			
PART NAME			
RIGHT ANGLE PC 'F' CONNECTOR			
MATERIAL			
AS NOTED			
FINISH		DRN BY	DATE
AS NOTED		BOONE	1.7.97
		APPD	SCALE
		LN	2X
TOLERANCES	INCH	[MM]	CODE
DECIMAL	± .005	[± 0.15]	C/M
ANGULAR	± 1°		
UNLESS OTHERWISE SPECIFIED			DWG NO.
			911

DATE	DESCRIPTION	REV.