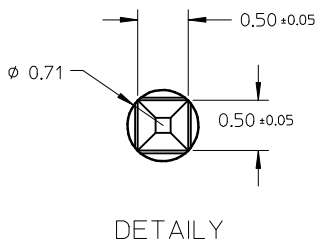
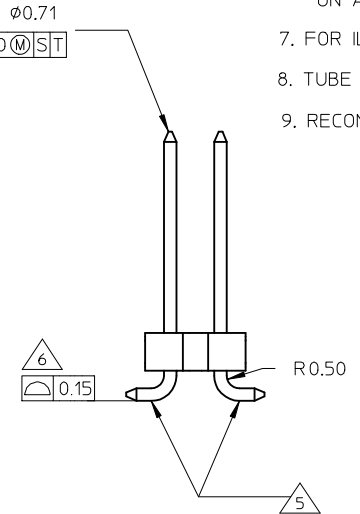
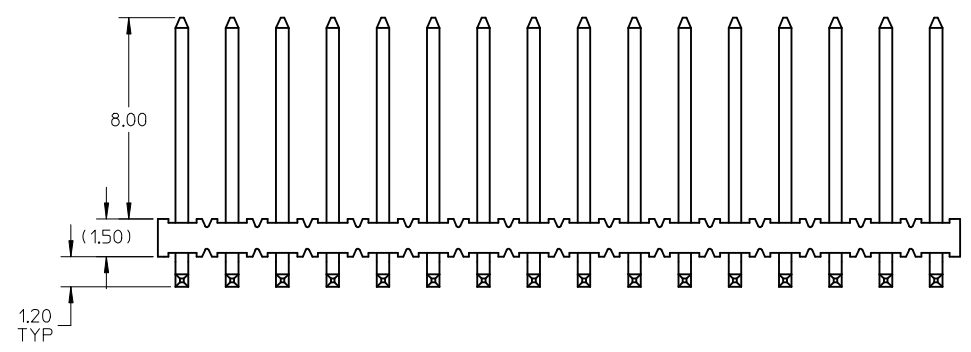
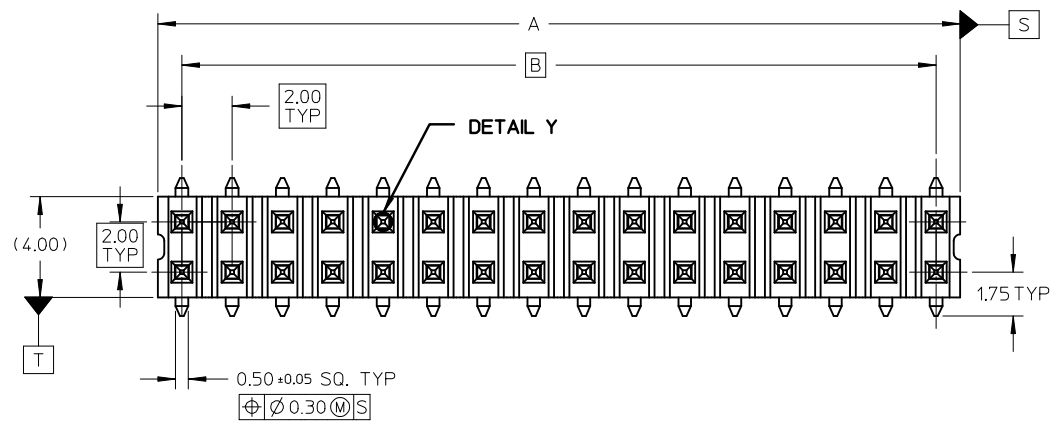


10 9 8 7 6 5 4 3 2 1

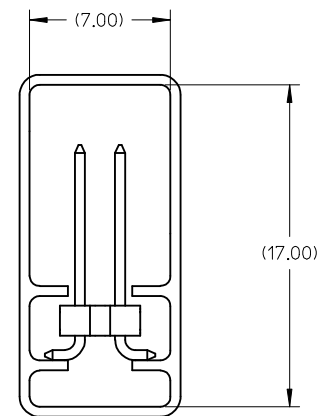
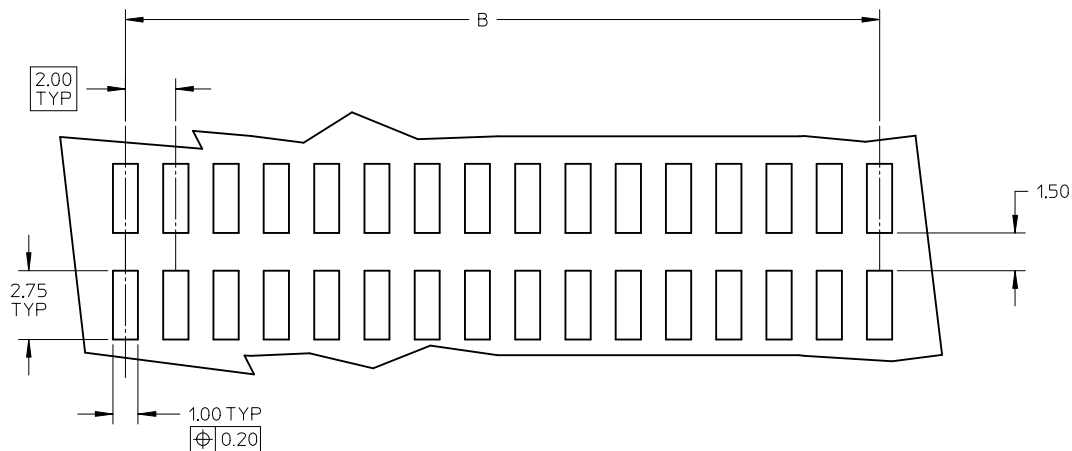


- NOTE:
- MATERIAL:
HSG & CAP - HIGH TEMPERATURE THERMOPLASTIC, UL 94V-0, COLOUR BLACK
PIN - 0.50 SQ PHOSPHOR BRONZE
 - PLATING:
0.38um MIN GOLD PLATE AT CONTACT AREA,
TIN PLATE AT SOLDER AREA,
BOTH OVER NICKEL UNDERPLATE
 - PIN PUSHOUT FORCE: 1KG MIN IN EITHER DIRECTION
 - PRODUCT SPEC PS-87761-100 APPLIES.
 - BEND DEPRESSION IS ACCEPTABLE SO LONG AS IT DOES NOT AFFECT THE OVERALL COPLANARITY OF TAIL.
 - COPLANARITY IS TO BE MEASURED BY RESTING THE SOLDER TAIL ON A FLAT SURFACE.
 - FOR ILLUSTRATION PURPOSES, 32CKT IS SHOWN
 - TUBE LENGTH IS 560MM REF STANDARD.
 - RECOMMENDED PCB BOARD THK IS 1.60±0.10 MM.

9 8 7 6 5 4 3 2 1

REVISED TUBE SPEC EC NO: S2007-0829 DRWN:SKL IM01 2007/04/10 CHKD:GWLAM 2007/04/12 APPR:KNLEE 2007/04/17	QUALITY SYMBOLS ▽=0 ∇=0	GENERAL TOLERANCES (UNLESS SPECIFIED)		DIMENSION STYLE	SCALE	DESIGN UNITS	THIRD ANGLE PROJECTION
				MM ONLY	NTS	METRIC	
				DRAWN BY	DATE	TITLE	
				CHECKED BY	DATE		
B	REV	4 PLACES	± ---	± ---	KSEE	2004/04/20	CUSTOM HEADER MGRID 2MM HEADER SMT
		3 PLACES	± ---	± ---	PTLIM	2004/04/22	
		2 PLACES	± 0.2	± ---	APPROVED BY	DATE	MOLEX INCORPORATED
		1 PLACE	± ---	± ---	SCLOW	2004/04/27	
		ANGULAR ± 3 °		MATERIAL NO.		DOCUMENT NO.	SHEET NO. 1 OF 2
		DRAFT WHERE APPLICABLE MUST REMAIN WITHIN DIMENSIONS		SEE TABLE		SD-87759-157	
				THIS DRAWING CONTAINS INFORMATION THAT IS PROPRIETARY TO MOLEX INCORPORATED AND SHOULD NOT BE USED WITHOUT WRITTEN PERMISSION			

PART NUMBER WITHOUT CAP IN TUBE	CKT SIZE	A	B
87759-0010	32	31.90	30.00
87759-0012	40	39.90	38.00



**PART IN TUBE
ORIENTATION**

REVISED TUBE SPEC EC NO: S2007-0829 DRWNSKL IM01 2007/04/10 CHKD:CWLAM 2007/04/12 APPR:KMLEE 2007/04/17	DESCRIPTION REV	QUALITY SYMBOLS ▽=0 ◻=0	GENERAL TOLERANCES (UNLESS SPECIFIED)		DIMENSION STYLE MM ONLY		SCALE NTS	DESIGN UNITS METRIC	THIRD ANGLE PROJECTION																								
			<table border="1"> <thead> <tr> <th></th> <th>mm</th> <th>INCH</th> </tr> </thead> <tbody> <tr> <td>4 PLACES</td> <td>± ---</td> <td>± ---</td> </tr> <tr> <td>3 PLACES</td> <td>± ---</td> <td>± ---</td> </tr> <tr> <td>2 PLACES</td> <td>± 0.2</td> <td>± ---</td> </tr> <tr> <td>1 PLACE</td> <td>± ---</td> <td>± ---</td> </tr> </tbody> </table>		mm	INCH	4 PLACES	± ---	± ---	3 PLACES	± ---	± ---	2 PLACES	± 0.2	± ---	1 PLACE	± ---	± ---	<table border="1"> <thead> <tr> <th>DRAWN BY</th> <th>DATE</th> </tr> </thead> <tbody> <tr> <td>KSEE</td> <td>2004/04/20</td> </tr> <tr> <th>CHECKED BY</th> <th>DATE</th> </tr> <tr> <td>PTLIM</td> <td>2004/04/22</td> </tr> <tr> <th>APPROVED BY</th> <th>DATE</th> </tr> <tr> <td>SCLOW</td> <td>2004/04/27</td> </tr> </tbody> </table>	DRAWN BY	DATE	KSEE	2004/04/20	CHECKED BY	DATE	PTLIM	2004/04/22	APPROVED BY	DATE	SCLOW	2004/04/27	TITLE CUSTOM HEADER MGRID 2MM HEADER SMT	
			mm	INCH																													
		4 PLACES	± ---	± ---																													
3 PLACES	± ---	± ---																															
2 PLACES	± 0.2	± ---																															
1 PLACE	± ---	± ---																															
DRAWN BY	DATE																																
KSEE	2004/04/20																																
CHECKED BY	DATE																																
PTLIM	2004/04/22																																
APPROVED BY	DATE																																
SCLOW	2004/04/27																																
DRAFT WHERE APPLICABLE MUST REMAIN WITHIN DIMENSIONS	MATERIAL NO. SEE TABLE	MOLEX INCORPORATED DOCUMENT NO. SD-87759-157		SHEET NO. 2 OF 2																													
	SIZE A3	THIS DRAWING CONTAINS INFORMATION THAT IS PROPRIETARY TO MOLEX INCORPORATED AND SHOULD NOT BE USED WITHOUT WRITTEN PERMISSION																															