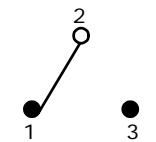


SWITCH FUNCTION		
POS. 1	POS. 2	POS. 3
ON	NONE	(ON)
2-3	N/A	2-1

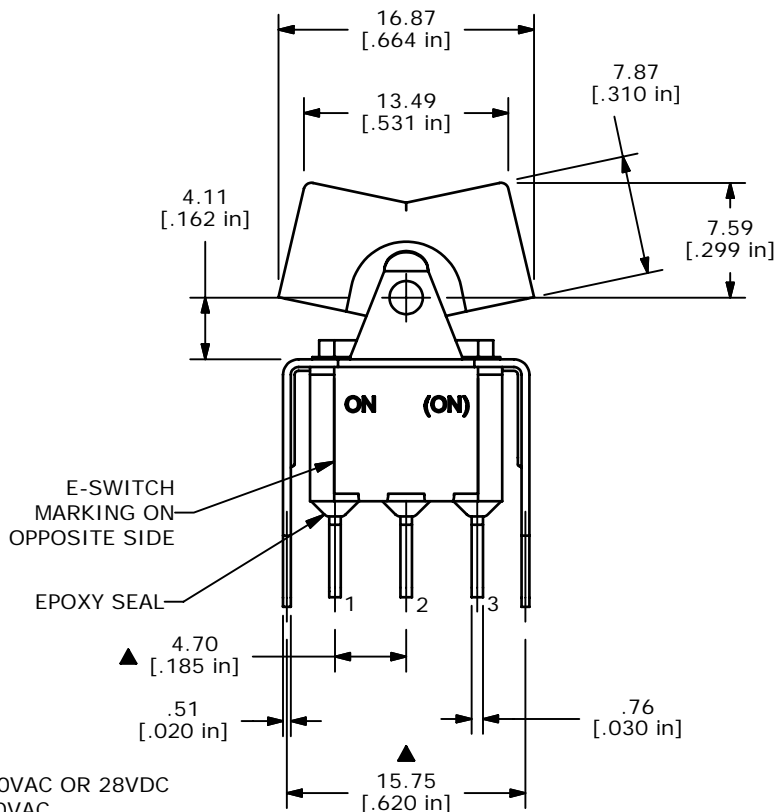
(ON)=MOMENTARY



CIRCUI: SPDT

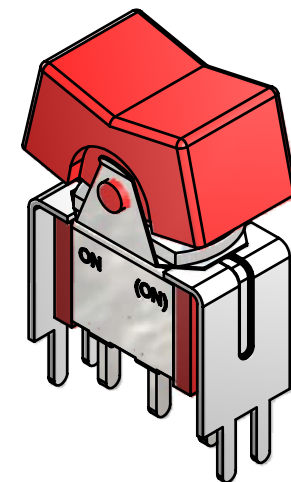
NOTE:

- ALL DIMENSIONS IN MM [INCH]
- GENERAL TOLERANCE: X.X=±0.4
X.XX=±0.25
- TERMINAL NUMBERS FOR REF ONLY
- ▲ PLATING MATERIAL: SILVER
- RATING: 5 AMPS W/RESISTIVE LOAD @ 120VAC OR 28VDC
2 AMPS W/RESISTIVE LOAD @ 250VAC
- ELECTRIC LIFE: 40,000 make-and-break cycles at full load.
- INSULATION RESISTANCE: 1,000 Mega-ohm min.
- DIELECTRIC STRENGTH: 1,000 V RMS @sea level.
- OPERATING TEMP.: -30°C to 85°C
- ▲ DENOTES CRITICAL PARAMETER.
- 2002/95/EC (ROHS) COMPLIANT

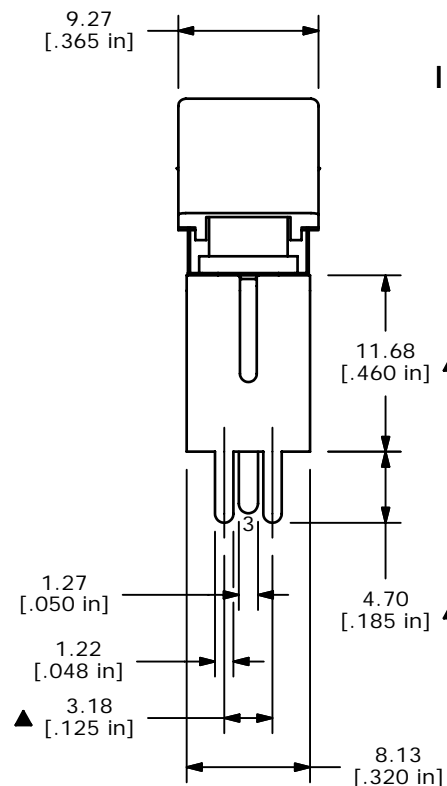


E-SWITCH MARKING ON OPPOSITE SIDE

EPOXY SEAL



ISOMETRIC



E-SWITCH®

TITLE 300SP2J1REDVS2QE

A	16745	RELEASED FOR PRODUCTION	12/12/06	TN
REV	PCR NO	DESCRIPTION	DATE	BY

THE INFORMATION CONTAINED IN THIS DOCUMENT IS PROPRIETARY TO E-SWITCH AND IS NOT TO BE COPIED OR TRANSFERRED

SCALE	DATE	DR	DWG	REV
2:1	12/12/2006	TN	T312023	A