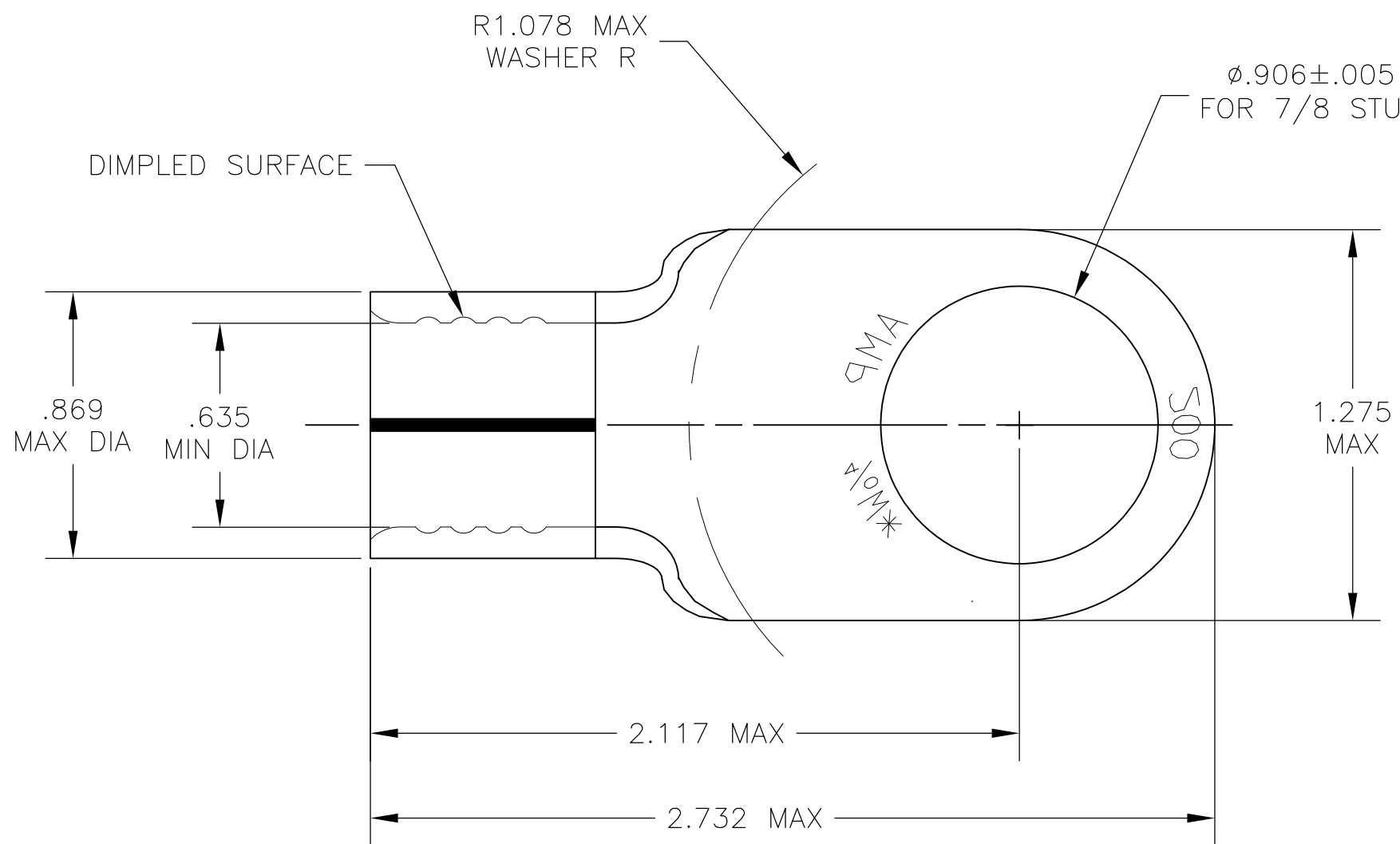


THIS DRAWING IS UNPUBLISHED. RELEASED FOR PUBLICATION
© COPYRIGHT BY TYCO ELECTRONICS CORPORATION. ALL INTERNATIONAL RIGHTS RESERVED.

LOC	DIST	REVISIONS					
G	14	P	LTR	DESCRIPTION	DATE	DWN	APVD
		C1		REV PER ECR 09-026553	08DEC09	JR	TM



- △1 .102±.003 THK COPPER PER ASTM B-152
- △2 TIN PLATE PER ASTM B-545, ANNEALED
- △3 MEETS MS20659-137, CLASS 2

△3 321625-0
PART NO

THIS DRAWING IS A CONTROLLED DOCUMENT.		DWN JR RUTH 17NOV03	Tyco Electronics Corporation Harrisburg, PA 17105-3608																
DIMENSIONS: INCHES		CHK MJ SPICER 17NOV03	NAME WIRE TERMINAL, SOLISTRAND RING TONGUE, WIRE SIZE: 4/0																
TOLERANCES UNLESS OTHERWISE SPECIFIED:		APVD MJ SPICER 17NOV03	PRODUCT SPEC —																
<table border="0"> <tr><td>0 PLC</td><td>± -</td></tr> <tr><td>1 PLC</td><td>± -</td></tr> <tr><td>2 PLC</td><td>± -</td></tr> <tr><td>3 PLC</td><td>± .008</td></tr> <tr><td>4 PLC</td><td>± -</td></tr> <tr><td>ANGLES</td><td>± 1°</td></tr> </table>		0 PLC	± -	1 PLC	± -	2 PLC	± -	3 PLC	± .008	4 PLC	± -	ANGLES	± 1°	APPLICATION SPEC —		SIZE	CAGE CODE	DRAWING NO	RESTRICTED TO
0 PLC	± -																		
1 PLC	± -																		
2 PLC	± -																		
3 PLC	± .008																		
4 PLC	± -																		
ANGLES	± 1°																		
MATERIAL - △1		FINISH - △2		A3 00779		C-321625	—												
CUSTOMER DRAWING				SCALE	SHEET	REV													
				2:1	1 OF 1	C1													