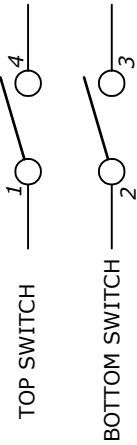


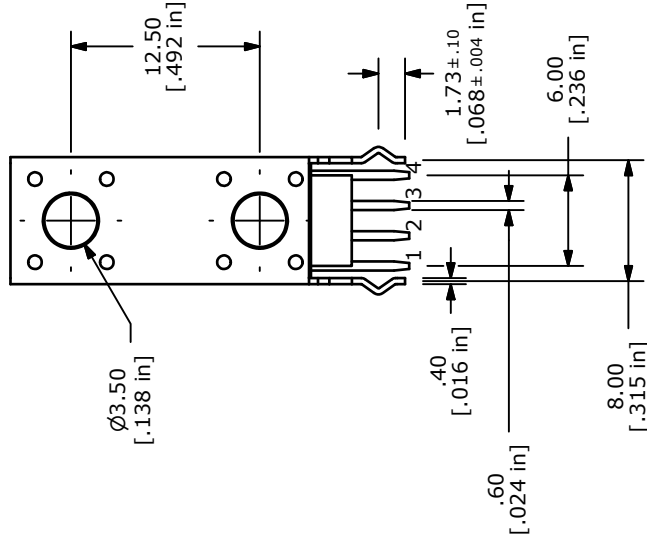
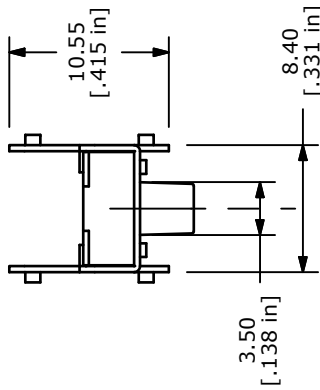
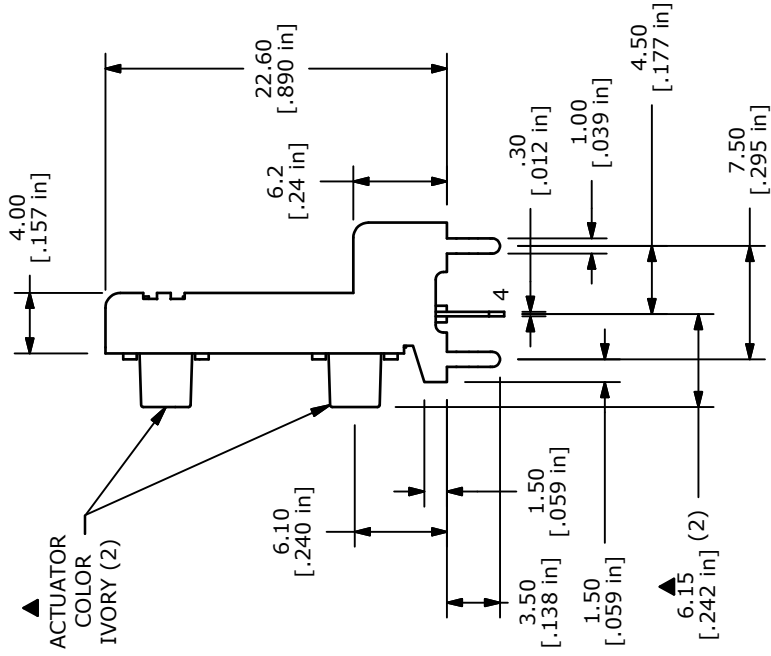
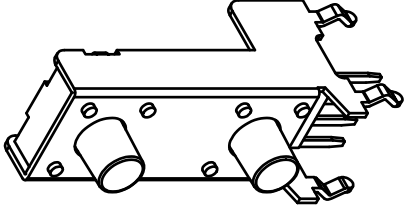
RECOMMENDED PCB LAYOUT



▲ SCHEMATIC

- NOTES:
1. ALL DIMENSIONS IN MM
 2. GENERAL TOLERANCE: X.X=±0.4
X.XX=±0.25
 3. TERM. NOS. FOR REFERENCE ONLY.
 4. CONTACT RATING: 50mA @12VDC
 5. TRAVEL: 0.25 +0.2/-0.1mm
 6. CONTACT RESISTANCE: 100 Milli-Ohms Max.
 7. OPERATING FORCE: 160 ± 50gf
 - ▲ 8. CONTACT MATERIAL: SILVER
 - ▲ 9. DENOTES CRITICAL PARAMETER.
 - ▲ 10. PACKAGE: TRAY/ 200 PIECES PER
 11. 2002/95/EC (ROHS) COMPLIANT

ISOMETRIC



TITLE TL53CF160Q

B	19576	DRAWING UPDATES / CLEAN-UP	1/11/11	BGL
REV	PCR NO	DESCRIPTION	DATE	BY

THE INFORMATION CONTAINED IN THIS DOCUMENT IS PROPRIETARY TO E-SWITCH AND IS NOT TO BE COPIED OR TRANSFERRED

SCALE 2:1

DATE 1/11/2011

DR BGL

DWG

P010605

REV B