

MU27P CONNECTOR SERIES

TRAINLINE WIRE CONNECTORS FOR CONTROL AND COMMUNICATIONS

The Multiple Unit (MU) connectors include a 27 pin receptacle, plug and “dummy” receptacle that are used to convey the locomotive functions between units. 27 point trainline connectors allow a single point in the train to issue up to 27 commands to all or some of the vehicles simultaneously. TE’s MU27P connectors are used to convey control & indication signals such as door controls and indications, public address, brake applied/released indications as well as audio and other passenger rail functions.

Designed to accept three 10 AWG lead with all other leads being 12 AWG or 14 AWG allows the connectors to be completely interchangeable and intermateable with other brands adhering to the AAR-S-512 specification, and are key in preventing intermating of different wiring configurations.

Technical Information	
Electrical Data	
Rated Current	30 A
Service Voltage	600 V DC
Material Data	
Shell	Aluminum
Crimp Contacts	Silver Plated
Environmental Data	
Salt Spray	250 hours
Temperature Range	-40°C - 110°C (-40°F - 230°F)
Mechanical Data	
27 pole arrangement	
10, 12 or 14 AWG wires	
Mechanical coding	
Intermateable with other major brands	
Manufactured to conform to:	
AAR S-512	
APTA RP-E-017-99	
APTA RP-E-019-99	
Standards	
Tested against NF F 61-030 selected criteria	

Jumper assemblies are available on request. Please contact your TE representative.

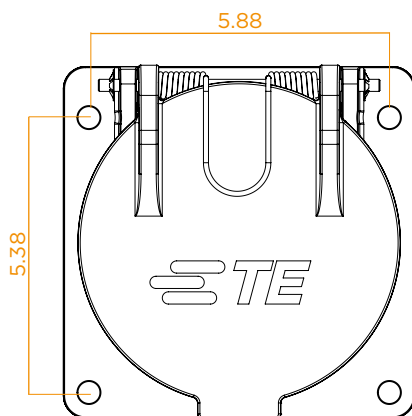
MU27P CONNECTOR SERIES

Trainline Wire Connectors For Control and Communications

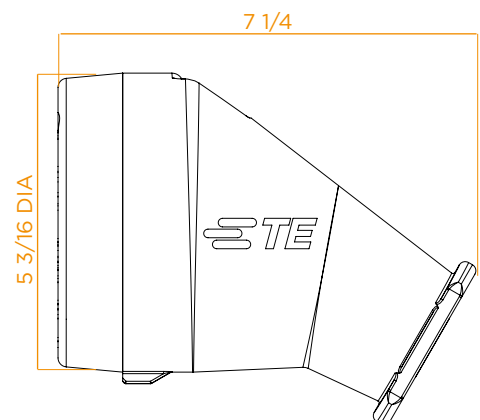
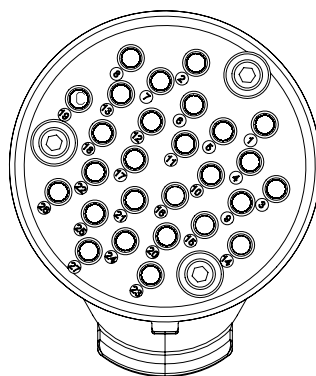
Available Colors



Part Number	Description	Color
27P-REC-1-01	RECEPTACLE, MU, CONTROL	Black
27P-REC-2-01	RECEPTACLE, COMMUNICATION	Blue
27P-REC-3-01	RECEPTACLE, TYPICAL OF AEM-7	White
27P-REC-4-01	RECEPTACLE, COMM. COMMUTER	Red
27P-PLU-1-01	PLUG, MU, CONTROL	Black
27P-PLU-2-01	PLUG, COMMUNICATION	Blue
27P-PLU-3-01	PLUG, TYPICAL AEM-7	White
27P-PLU-4-01	PLUG, COMMUNICATION COMMUTER	Red
27P-DUM-Y	DUMMY RECEPTACLE	Yellow
27P-DUM-W	DUMMY RECEPTACLE	White
27P-KITCON-24P12-3P10	CONTACTS KIT FOR RECEPTACLE	
27P-KITCON-24S12-3S10	CONTACTS FOR PLUG	



*Holes are 7/16 DIA (4x)



Note: All dimensions are in Inches

© 2018 TE Connectivity. All Rights Reserved.

TE, TE Connectivity, and the TE connectivity (logo) are trademarks of the TE Connectivity. Other logos, product and company names mentioned herein may be trademarks of their respective owners.

While TE has made every reasonable effort to ensure the accuracy of the information in this brochure, TE does not guarantee that it is error-free, nor does TE make any other representation, warranty or guarantee that the information is accurate, correct, reliable or current. TE reserves the right to make any adjustments to the information contained herein at any time without notice. TE expressly disclaims all implied warranties regarding the information contained herein, including, but not limited to, any implied warranties of merchantability or fitness for a particular purpose. The dimensions in this catalog are for reference purposes only and are subject to change without notice. Specifications are subject to change without notice. Consult TE for the latest dimensions and design specifications.

1-1773930-6 CC 05/2018