

13 12 11 10 9 8 7 6 5 4 3 2 1

MATERIALS AND FINISHES

BODY, COUPLING NUT ZINC ALLOY
PLATED NICKEL

CONTACT (PLUG) BRASS
CONTACT (JACK) PHOSPHOR BRONZE
PLATED GOLD

INSULATOR (PLUG & JACK) POLYPROPYLENE

OUTER CONTACT BRASS
PLATED NICKEL

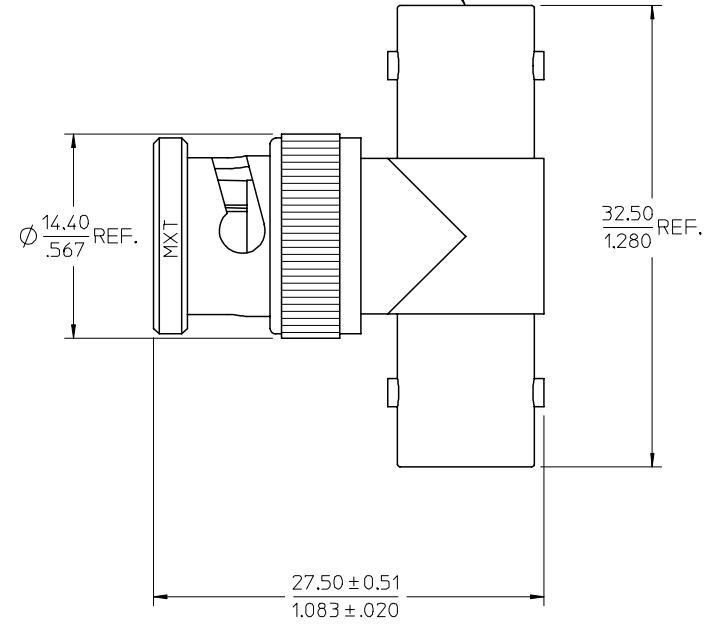
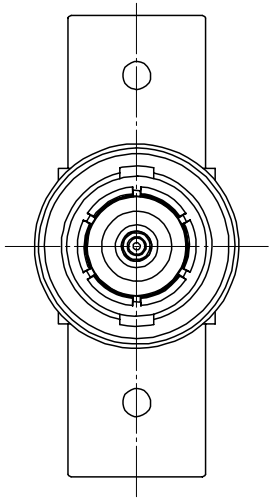
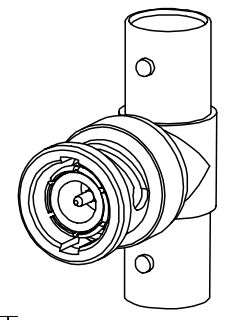
GASKET SILICONE RUBBER

RETAINING RING BRASS
PLATED NICKEL

WASHER BRASS
PLATED NICKEL

SPRING WASHER BERYLLIUM COPPER

CONNECTOR INTERFACE PER
MOLEX ENGINEERING STANDARD
ES-73599-0000 (3 PLACES)



PART # 73148-5003

PS-73598-0016	PRODUCT SPECIFICATION
ES-73599-0000-001	BNC PLUG INTERFACE
ES-73599-0000-000	BNC JACK INTERFACE
SPECIFICATION	DESCRIPTION

ADDITIONAL PACKAGING EC NO: URF2007-0510 DRAWN BY: DRW:WJL 2007/06/15 CHKD: 2007/06/21 APPR: MJIUANG 2007/06/21 D1	QUALITY SYMBOLS =0 =0	GENERAL TOLERANCES (UNLESS SPECIFIED)		DIMENSION STYLE MM/IN	SCALE	DESIGN UNITS METRIC	THIRD ANGLE PROJECTION	
		4 PLACES ± --- ± --- 3 PLACES ± --- ± --- 2 PLACES ± --- ± --- 1 PLACE ± --- ± --- ANGULAR ± 2 °	DRAWN BY DATE IRIS 1991/01/21 CHECKED BY DATE -- 1991/01/21 APPROVED BY DATE -- 1991/01/21	TITLE 50 OHM BNC TEE ADAPTOR (J-P-J) BNC-ADP/JPJ		MOLEX INCORPORATED		SHEET NO. 1 OF 2
DRAFT WHERE APPLICABLE MUST REMAIN WITHIN DIMENSIONS				MATERIAL NO. 731485003	DOCUMENT NO. SD-73148-5003		THIS DRAWING CONTAINS INFORMATION THAT IS PROPRIETARY TO MOLEX INCORPORATED AND SHOULD NOT BE USED WITHOUT WRITTEN PERMISSION	

12 11 10 9 8 7 6 5 4 3 2 1

13 12 11 10 9 8 7 6 5 4 3 2 1

J

I

H

G

F

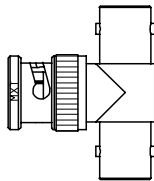
E

D

C

B

A



PART NO. 73148-5003

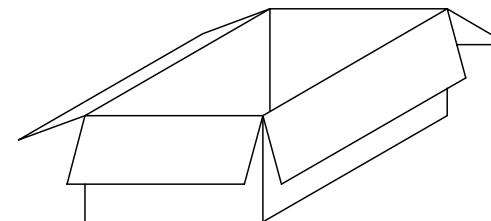
90 mm REF. * 102 mm REF.



1 SET PER BAG
(WITH MOLEX LOGO AND PART NO.)



50 SET PER BAG



500 SET PER CARTON BOX

SEE SHEET 1 FC NO: URF2007-0510 DRAWN BY: DRW:NELIN CHKD: APPR:MHUANG DATE: 2007/06/15 DATE: 2007/06/21 DATE: 2007/06/21	QUALITY SYMBOLS ▽=0 ▽=0	GENERAL TOLERANCES (UNLESS SPECIFIED)		DIMENSION STYLE		SCALE	DESIGN UNITS	THIRD ANGLE PROJECTION			
			mm	INCH	MM/IN			METRIC			
		4 PLACES	±	----	±	----	DRAWN BY	DATE	TITLE		
		3 PLACES	±	----	±	----	IRIS	1991/01/21	50 OHM BNC TEE ADAPTOR (J-P-J)		
2 PLACES	±	----	±	----	CHECKED BY	DATE	BNC-ADP/JPJ				
1 PLACE	±	----	±	----	APPROVED BY	DATE	MOLEX INCORPORATED				
		ANGULAR ± 2 °									
DRAFT WHERE APPLICABLE MUST REMAIN WITHIN DIMENSIONS		SEE SHEET 1		MATERIAL NO.		DOCUMENT NO.		SHEET NO.			
				SIZE		SD-73148-5003		2 OF 2			
D1				C		THIS DRAWING CONTAINS INFORMATION THAT IS PROPRIETARY TO MOLEX INCORPORATED AND SHOULD NOT BE USED WITHOUT WRITTEN PERMISSION					

12 11 10 9 8 7 6 5 4 3 2 1