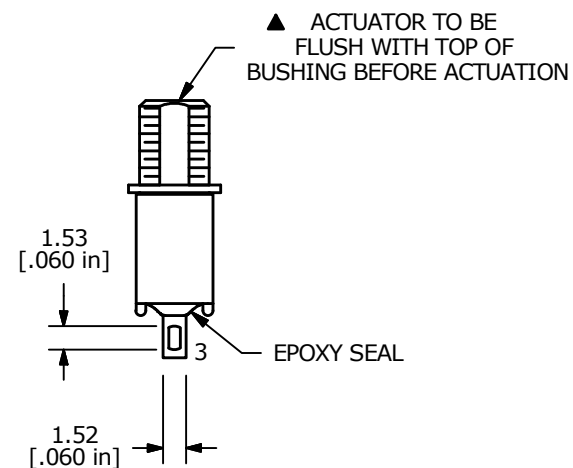
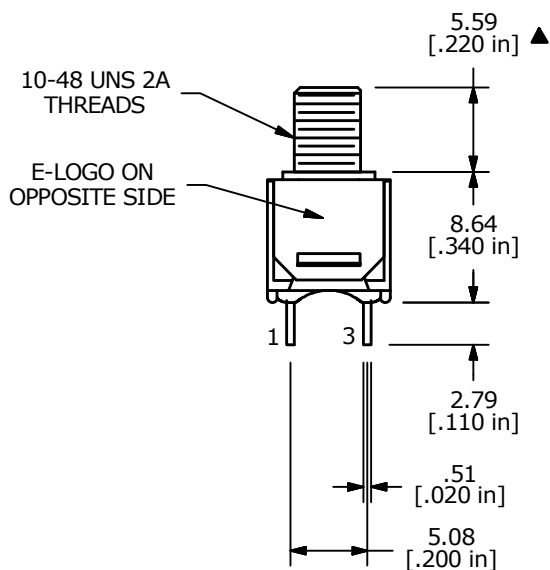
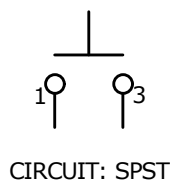


SWITCH FUNCTION	
POS. 1	POS. 2
OFF	(ON)
OPEN	1-3

(ON)=MOMENTARY



NOTE:

- ALL DIMENSIONS IN MM [INCH]
- GENERAL TOLERANCE: X.X=±0.4
X.XX=±0.25
- TERMINAL NUMBERS FOR REF ONLY
- CONTACT MATERIAL: SILVER
- RATING: 1A @ 250 VAC
3A @ 120 VAC OR 28 VDC
- MECHANICAL LIFE: 50,000 MAKE-AND-BREAK CYCLES
- CONTACT RESISTANCE: 20 mΩ MAX. INITIAL @ 2-4VDC
100mA FOR BOTH GOLD AND SILVER CONTACTS
- INSULATION RESISTANCE: 1,000 MEGA-OHM MIN.
- DIELECTRIC STRENGTH: 1,000 V RMS @SEA LEVEL.
- OPERATING TEMP.: -30°C to 85°C
- ▲ DENOTES CRITICAL PARAMETER.
- 2002/95/EC (ROHS) COMPLIANT

REV	PCR NO	DESCRIPTION	DATE	BY
D	21901	PANEL MNT. DIM. TO 4.55 x Ø 4.95	7/14/15	MW
C	20026	CORRECT PANEL MOUNT DETAIL	06/23/11	BMA
B	19997	UPDATE DRAWING	06/14/11	BMA
A	19809	NEW PART RELEASE	4/1/11	BGL



TITLE 800SP9B5M1QE (FLUSH ACTUATOR)

SCALE	DATE	DR	DWG	REV
2:1	4/1/2011	BGL	T811073	D

THE INFORMATION CONTAINED IN THIS DOCUMENT IS PROPRIETARY TO E-SWITCH AND IS NOT TO BE COPIED OR TRANSFERRED