

POWER ENTRY MODULES]

General Purpose Combination



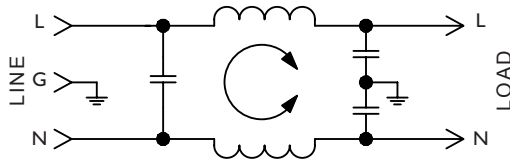
F2100/F2200 RFI Filters



Features:

- General Purpose Filters — Designed for Common Mode Emissions or Susceptibility Applications
- Integral IEC Connector in Space-Efficient Package
- Ideal for Linear Power Supplies in Digital Equipment

F2100/F2200 Simplified Schematic



Specifications:

Rated Voltage: 250VAC Maximum - 50/60 Hz

Rated Current:	115VAC	250VAC
	1A	1A
	3A	3A
	6A	6A
	10A	8A

Current Overload: 6X for 8 seconds

Hi-Pot Test (1 min):

Line to Ground	1500VAC
Line to Line	1768VDC

Insulation Resistance: $9 \times 10^9 \Omega$ at 100VDC

Ambient Temperature: 40°C Max. at rated current

Humidity Range: 0% to 95% R.H.

Termination:

- A: QC – Quick Connect
- C: IEC Receptacle

Maximum Leakage Current:

Each Line to Ground	F2100/F2200
115VAC, 60Hz:	0.25mA
250VAC, 50Hz:	0.40mA

Agency Approvals:



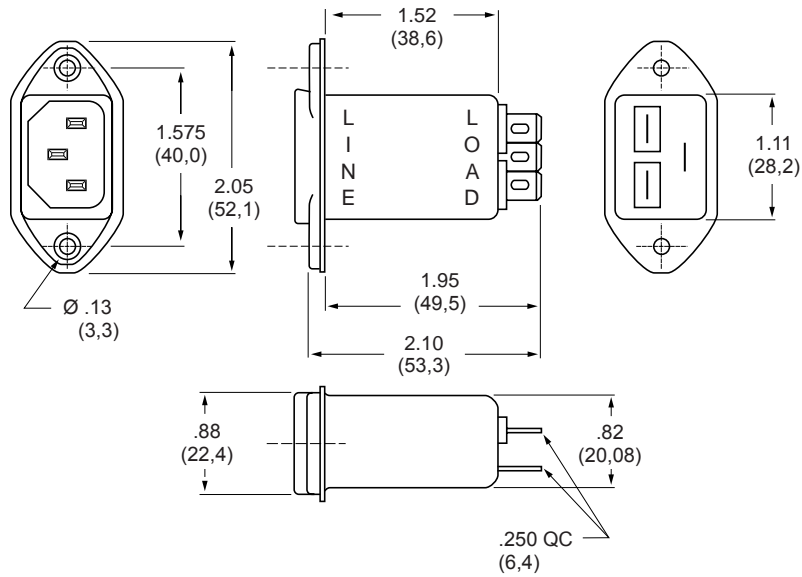
Nominal Current Rating	Part Number	Termination Line/Load	MINIMUM INSERTION LOSS - dB (50 ohm Circuit)						
			MODE	Frequency - MHz					
				.15	.50	1.0	5.0	10	30
1A	F2100CA01 F2200CA01	IEC/QC IEC/QC	Common	22	35	40	46	50	50
			Differential	—	2	3	35	40	40
3A	F2100CA03 F2200CA03	IEC/QC IEC/QC	Common	15	25	30	45	50	50
			Differential	—	2	3	35	40	40
6A	F2100CA06 F2200CA06	IEC/QC IEC/QC	Common	10	20	29	43	45	50
			Differential	—	2	7	28	46	57
10A	F2100CA10	IEC/QC	Common	9	17	23	39	45	45
			Differential	—	2	7	12	37	60

NOTE: Other combinations of terminals may be specified on special order.



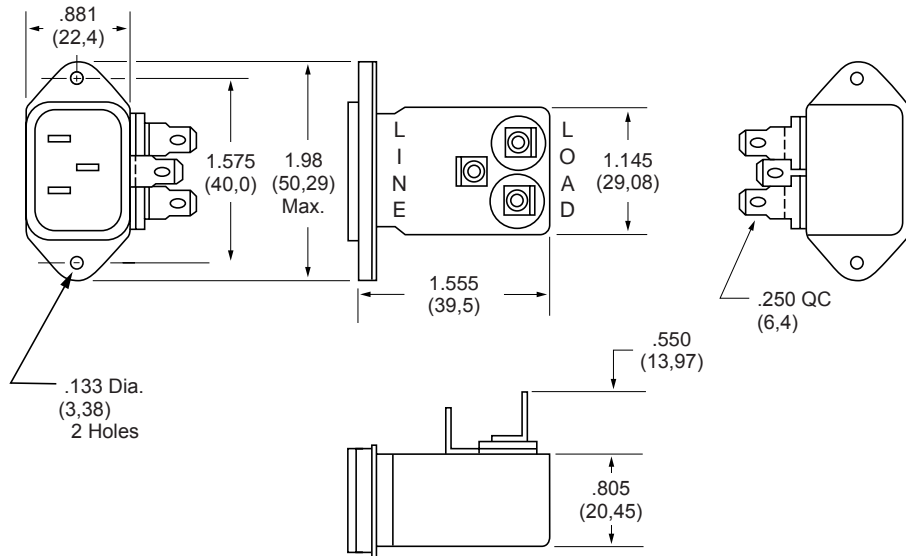
F2100CA
(1, 3 and 6Amp)
Dimensions

Refer to Page 62
for Standard
Mounting Cutouts



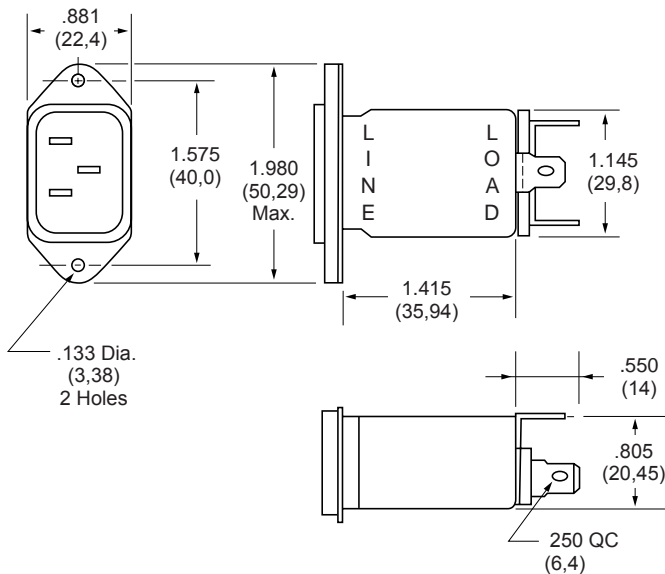
F2200CA
(1, 3 and 6Amp)
Dimensions

Refer to Page 62
for Standard
Mounting Cutouts



F2100CA10
(10Amp)
Dimensions

Refer to Page 62
for Standard
Mounting Cutouts



Dimensions are in inches and millimeters
unless otherwise specified.
Values in parentheses are metric equivalents.



F2300 RFI Filters



Features:

- Effective Protection from Pulsed, Intermittent or Continuous RFI for FCC "A" Applications
- High-Performance Low-Leakage Filter in Low Profile Package with Integral IEC Connector
- Increased Inductance and Line-to-Line Capacitance Provide Enhanced Common Mode and Differential Mode Attenuation

Specifications:

Rated Voltage: 250VAC Maximum - 50/60 Hz

Rated Current: 115VAC 250VAC
6A 6A

Current Overload: 6X for 8 seconds

Hi-Pot Test (1 min):

Line to Ground 1500VAC
Line to Line 1768VDC

Insulation Resistance: $9 \times 10^9 \Omega$ at 100VDC

Ambient Temperature: 40°C Max at rated current

Humidity Range: 0% to 95% R.H.

Termination:

A: QC – Quick Connect

C: IEC Receptacle

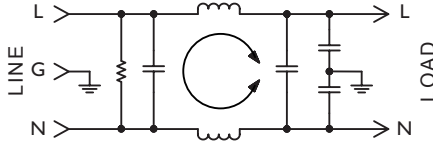
Maximum Leakage Current:

Each Line to Ground **F2300**
115VAC, 60Hz: 0.25mA
250VAC, 50Hz: 0.40mA

Agency Approvals:

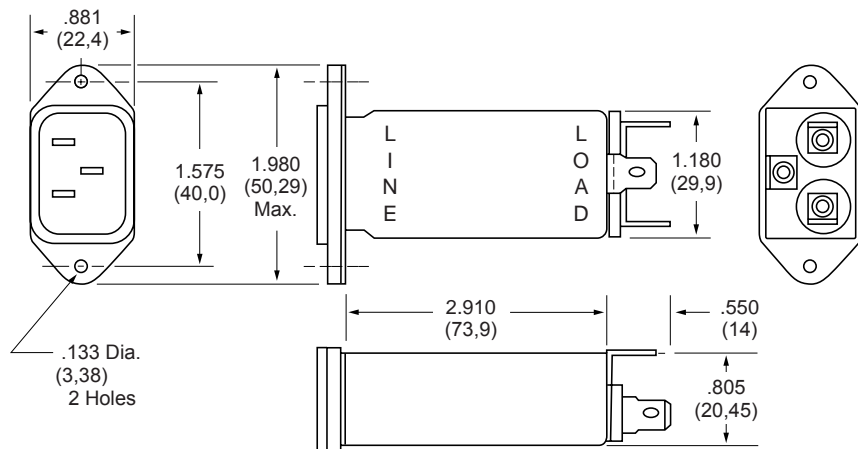


F2300CA Simplified Schematic



F2300CA (6Amp) Dimensions

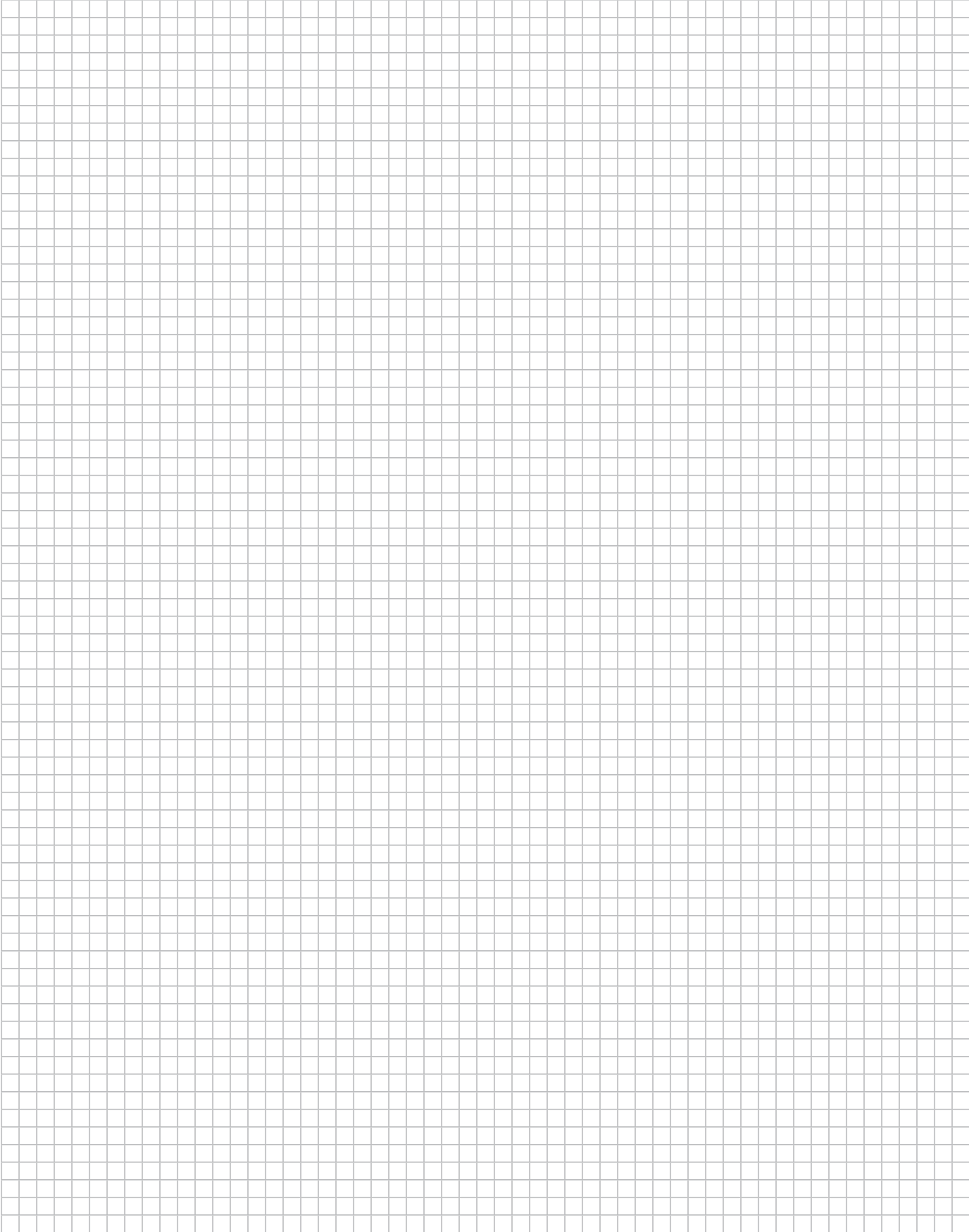
Refer to Page 62 for Standard Mounting Cutouts



Nominal Current Rating	Part Number	Termination Line/Load	MINIMUM INSERTION LOSS - dB (50 ohm Circuit)						
			MODE	Frequency - MHz					
				.15	.50	1.0	5.0	10	30
6A	F2300CA06	IEC/QC	Common	25	37	45	45	45	45
			Differential	12	30	50	65	65	60

NOTE: Other combinations of terminals may be specified on special order.





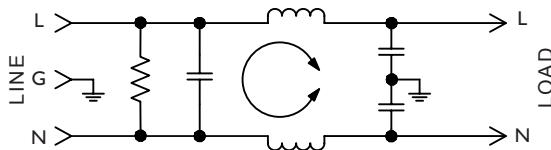
F2400/2500 RFI Filters



Features:

- Higher Performance Filters Designed for Common Mode and Differential Mode Applications
- 4X Greater Differential Mode Insertion Loss at 1 MHz than F2100/F2200 Series with No Increase in Physical Size
- Especially Suited for Use with Linear Power Supplies and FCC "A" Applications

F2400/2500 Simplified Schematic



Specifications:

Rated Voltage: 250VAC Maximum - 50/60 Hz

Rated Current:	115VAC	250VAC
	3A	1.5A
	6A	3A
	10A	10A
	15A	10A

Current Overload: 6X for 8 seconds

Hi-Pot Test (1 min):

Line to Ground	1500VAC
Line to Line	1768VDC

Insulation Resistance: $9 \times 10^9 \Omega$ at 100VDC

Ambient Temperature: 40°C Max. at rated current

Humidity Range: 0% to 95% R.H.

Termination:

A: QC – Quick Connect
C: IEC Receptacle

Maximum Leakage Current:

Each Line to Ground	F2400/F2500
115VAC, 60Hz:	0.25mA
250VAC, 50Hz:	0.40mA

Agency Approvals:

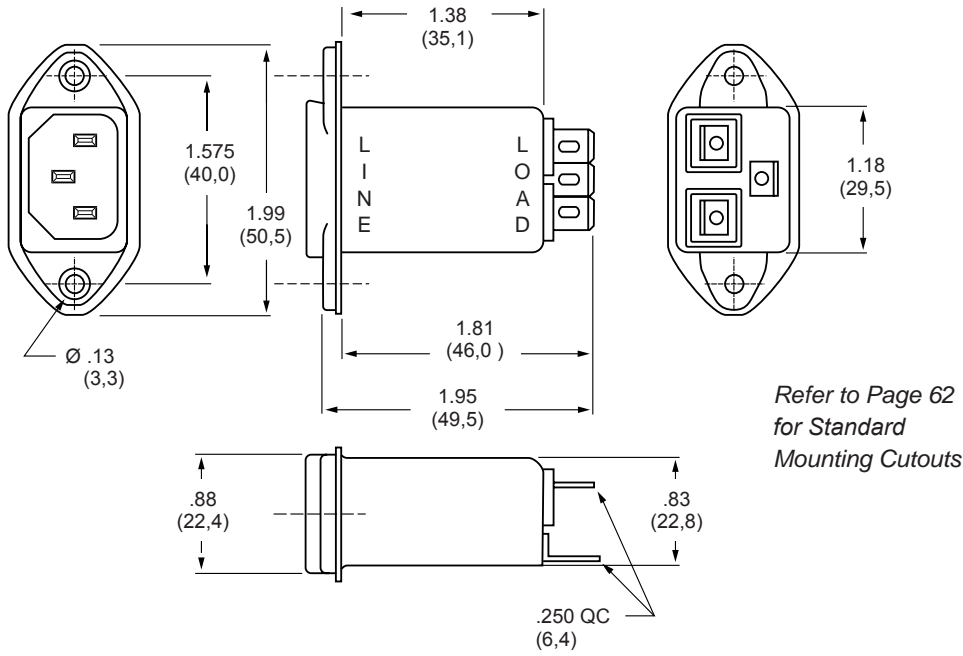


Nominal Current Rating	Part Number	Termination Line/Load	MINIMUM INSERTION LOSS - dB (50 ohm Circuit)						
			MODE	Frequency - MHz					
				.15	.50	1.0	5.0	10	30
3A	F2400CA03 F2500CA03	IEC/QC IEC/QC	Common	22	35	40	46	50	50
			Differential	8	18	24	40	50	40
6A	F2400CA06 F2500CA06	IEC/QC IEC/QC	Common	15	24	31	42	45	50
			Differential	8	18	24	40	50	40
10/15A	F2400CA10 F2400CA15	IEC/QC IEC/QC	Common	4	10	13	28	35	40
			Differential	2	8	15	30	35	35

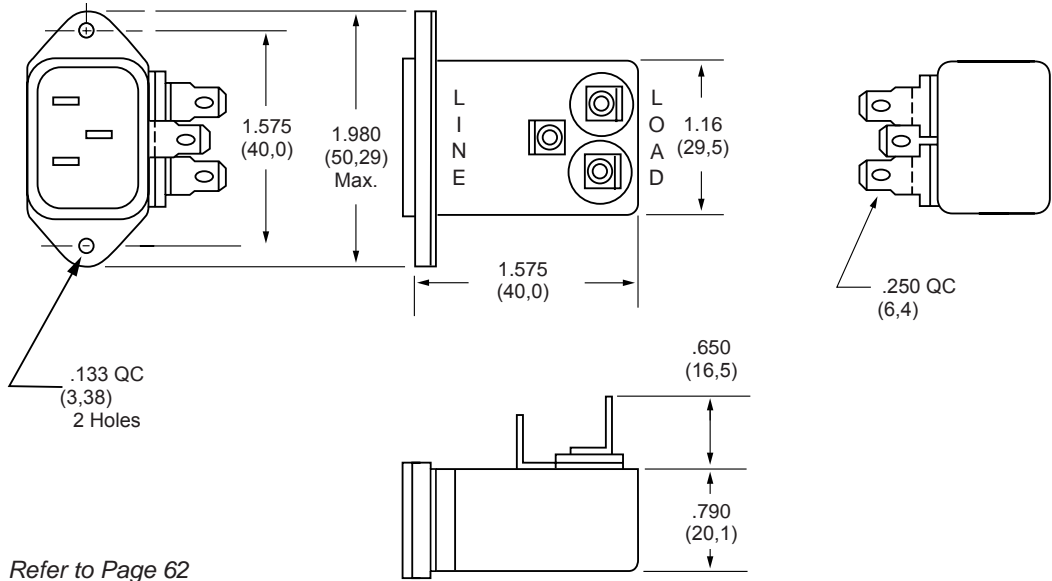
NOTE: Other combinations of terminals may be specified on special order.



F2400CA (3, 6, 10 and 15Amp) Dimensions



F2500CA (3 and 6Amp) Dimensions



Refer to Page 62 for Standard Mounting Cutouts

Dimensions are in inches and millimeters unless otherwise specified. Values in parentheses are metric equivalents.

F2600 RFI Filters



Features:

- General Purpose “L-Type” Circuit Effective in Reducing Both Incoming and Outgoing Powerline Noise Levels in FCC “A” Applications
- Integral 5 X 20mm Single or Dual Fused IEC Connector
- Optional SST Switched IEC Connector
- All Series Available in Labor-Saving PC Mounted Case Style

Specifications:

Rated Voltage: 250VAC Maximum - 50/60 Hz

Rated Current: 115VAC 250VAC
 3A 3A
 6A 6A

Current Overload: 6X for 8 seconds

Hi-Pot Test (1 min):

Line to Ground 1500VAC
 Line to Line 1768VDC

Insulation Resistance: $9 \times 10^9 \Omega$ at 100VDC

Ambient Temperature: 40°C Max at rated current

Humidity Range: 0% to 95% R.H.

Termination:

- A: QC – Quick Connect
- F: Fused IEC
- J: Switched IEC
- P: PC – P.C. Board
- W: Dual Fused IEC

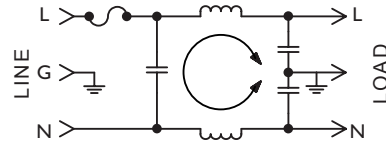
Maximum Leakage Current:

Each Line to Ground **F2600**
 115VAC, 60Hz: 0.25mA
 250VAC, 50Hz: 0.40mA

Agency Approvals:



F2600F Simplified Schematic

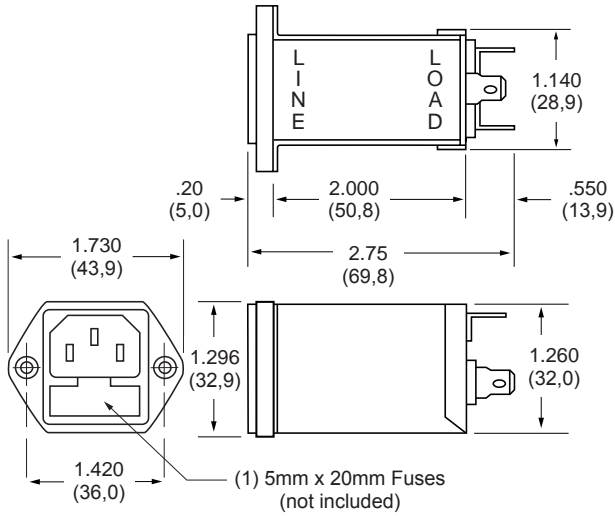


Nominal Current Rating	Part Number	Termination Line/Load	MINIMUM INSERTION LOSS - dB (50 ohm Circuit)						
			MODE	Frequency - MHz					
				.15	.50	1.0	5.0	10	30
3A	F2600FA03 F2600FP03	Fused IEC/QC Fused IEC/PC	Common	21	35	41	50	50	50
			Differential	8	18	24	40	50	40
6A	F2600FA06 F2600FP06	Fused IEC/QC Fused IEC/PC	Common	18	34	41	45	45	45
			Differential	8	18	24	40	50	50
3A	F2600WA03 F2600WP03	Dual Fused IEC/QC Dual Fused IEC/PC	Common	21	35	41	45	45	50
			Differential	8	18	24	40	50	40
6A	F2600WA06 F2600WP06	Dual Fused IEC/QC Dual Fused IEC/PC	Common	18	34	41	40	40	45
			Differential	8	18	24	40	50	50
3A	F2600JA03 F2600JP03	Switched IEC/QC Switched IEC/PC	Common	21	35	41	45	45	50
			Differential	8	18	24	40	50	40
6A	F2600JA06 F2600JP06	Switched IEC/QC Switched IEC/PC	Common	18	34	41	40	40	45
			Differential	8	18	24	40	50	50

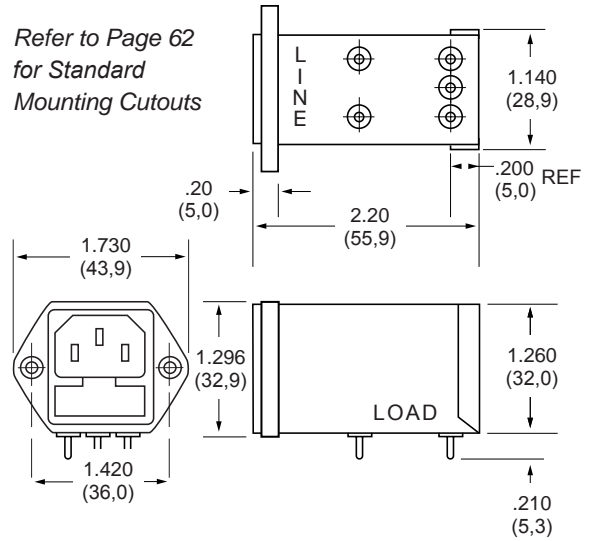
NOTE: Other combinations of terminals may be specified on special order.



F2600FA (3 and 6Amp) Dimensions

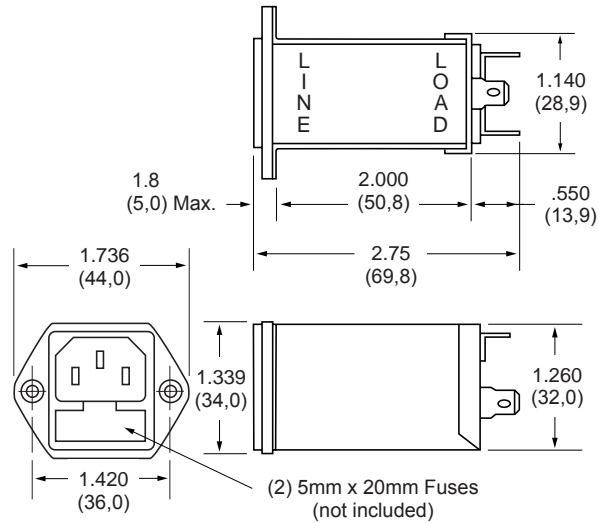
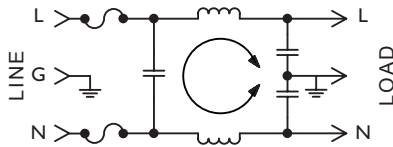


F2600FP (3 and 6Amp) Dimensions



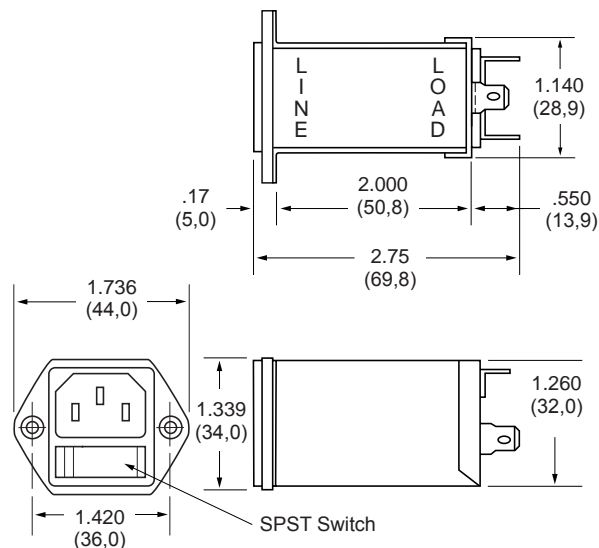
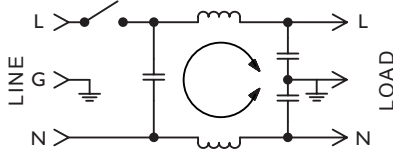
F2600WA (3 and 6Amp) Dimensions

F2600W Simplified Schematic



F2600JA (3 and 6Amp) Dimensions

F2600J Simplified Schematic



F2700 RFI Filters



Features:

- Designed for FCC "B" and VDE "B" Switching Power Supply Applications
- Very High Inductance Design with Differential Mode Choke to Provide Improved Performance Below 100KHz
- Compact, Space-Efficient Package Available in 3 and 6Amp Ratings
- Also Available with Integral Fused IEC Connector and "ON/OFF" Power Switch

Specifications:

Rated Voltage: 250VAC Maximum - 50/60 Hz

Rated Current:

115VAC	250VAC
3A	2A
6A	4A

Current Overload: 6X for 8 seconds

Hi-Pot Test (1 min):

Line to Ground	1500VAC
Line to Line	1768VDC

Insulation Resistance: $9 \times 10^9 \Omega$ at 100VDC

Ambient Temperature: 40°C Max. at rated current

Humidity Range: 0% to 95% R.H.

Termination:

- A: QC – Quick Connect
- B: Wire
- C: IEC Receptacle
- F: Fused IEC

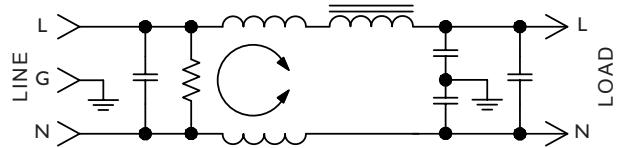
Maximum Leakage Current:

Each Line to Ground	F2700
115VAC, 60Hz:	0.25mA
250VAC, 50Hz:	0.40mA

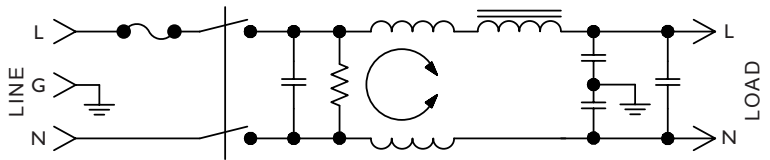
Agency Approvals:



F2700 Without Switch Simplified Schematic



F2700 Without Switch Simplified Schematic (3Amp Only)

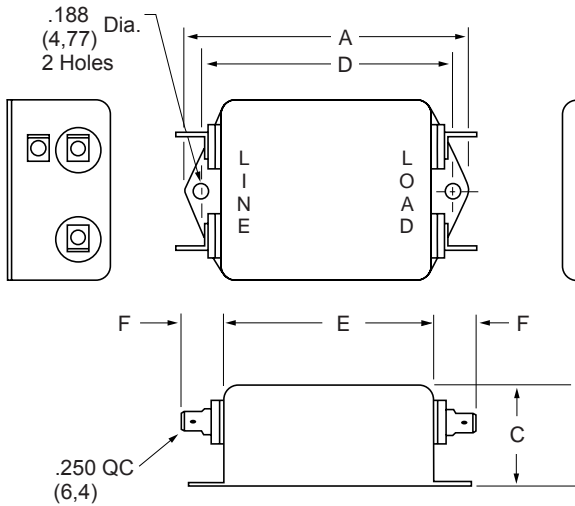


Nominal Current Rating	Part Number	Termination Line/Load	MINIMUM INSERTION LOSS - dB (50 ohm Circuit)										
			MODE	Frequency - MHz									
				.01	.02	.05	.15	.50	1.0	5.0	10	30	
3A	F2700AA03	QC/QC	Common	20	27	36	45	42	42	42	40	38	
	Differential	5	27	52	70	70	70	70	70	60	58		
3A	F2700CA03 F2700FB03	IEC/QC Fused IEC/Wire	Common	20	27	36	45	42	42	42	40	38	
	Differential	5	27	52	70	70	70	70	70	60	58		
6A	F2700AA06	QC/QC	Common	10	18	28	39	42	45	45	45	45	
	Differential	5	20	48	70	70	70	70	70	70	65		

NOTE: Other combinations of terminals may be specified on special order.

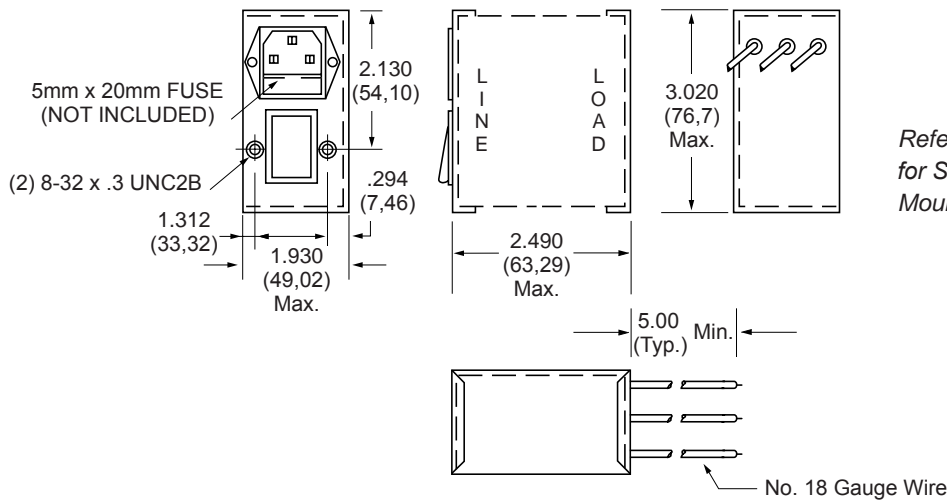


F2700AA (3 and 6Amp) Dimensions



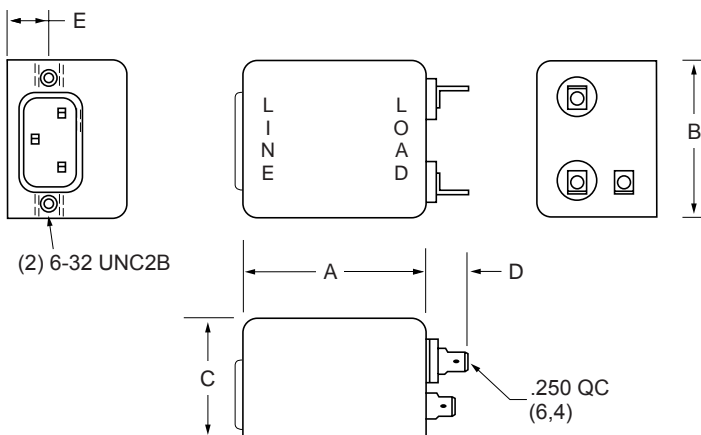
Amps	A	B	C	D	E	F
3A	3.315 (84,2)	2.000 (50,8)	1.500 (38,1)	2.940 (74,7)	2.500 (63,5)	.550 (14,0)
6A	4.440 (112,8)	2.250 (57,2)	1.750 (44,5)	4.063 (103,2)	3.620 (91,9)	.550 (14,0)

F2700FB03 (3Amp) Dimensions



Refer to Page 62
for Standard
Mounting Cutouts

F2700CA (3 and 6Amp) Dimensions



Refer to Page 62
for Standard
Mounting Cutouts

Amps	A	B	C	D	E
3A	2.880 (73,2)	2.125 (54,0)	1.719 (43,6)	.550 (14,0)	.575 (14,6)
6A	3.750 (95,2)	2.250 (57,1)	1.750 (44,4)	.550 (14,0)	.640 (16,29)



F3000/3100/3200/3400/3500 RFI Filters

General Purpose Filtered Modules

POWER ENTRY MODULES



Specifications:

Rated Voltage: 250VAC Maximum - 50/60 Hz

Rated Current: 115VAC 250VAC
3A 3A
6A 6A

Current Overload: 6X for 8 seconds

Hi-Pot Test (1 min):

Line to Ground 1500VAC
Line to Line 1768VDC

Insulation Resistance: $9 \times 10^9 \Omega$ at 100VDC

Ambient Temperature: 40°C Max at rated current

Humidity Range: 0% to 95% R.H.

Termination:

A: QC – Quick Connect
C: IEC Receptacle

Maximum Leakage Current:

Each Line to Ground **F3000 Series**
115VAC, 60Hz: 2 μ A
250VAC, 50Hz: 5 μ A

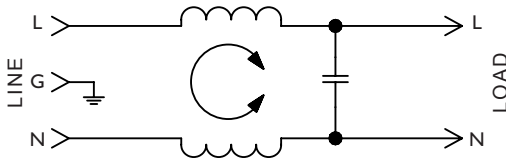
Agency Approvals:



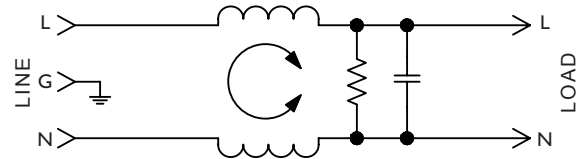
Features:

- Designed to Meet UL544 Specification for Medical and Dental Equipment. Available to UL/IEC 60601 Standard
- F3400/F3500 Have Enhanced Differential Mode Performance
- Effective in Other Low-Leakage Current Applications

**F3000/F3100/F3200 Series
Simplified Schematic**



**F3400/F3500 Series
Simplified Schematic**



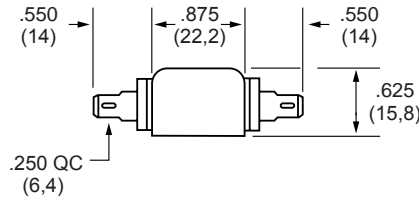
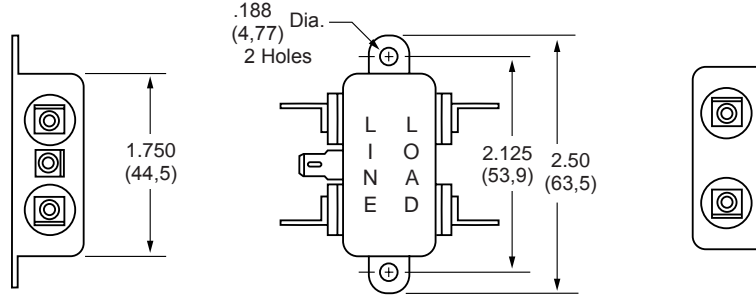
Nominal Current Rating	Part Number	Termination Line/Load	MINIMUM INSERTION LOSS - dB (50 ohm Circuit)												
			MODE	Frequency - MHz											
				.15	.50	1.0	5.0	10	30						
3A	F3400CA03	IEC/QC	Common	22	32	35	30	25	20						
	F3500CA03	IEC/QC		Differential	8	18	24	35	35	35					
6A	F3000AA06	QC/QC	Common	10	20	23	25	23	15						
	F3100CA06	IEC/QC								Differential	2	8	32	34	23
	F3200CA06	IEC/QC													
	F3400CA06	IEC/QC	Common	15	21	24	24	22	26						
	F3500CA06	IEC/QC								Differential	8	18	24	35	35

NOTE: Other combinations of terminals may be specified on special order.



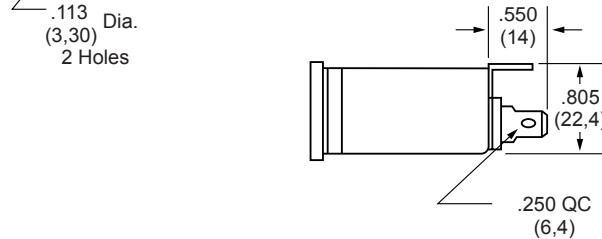
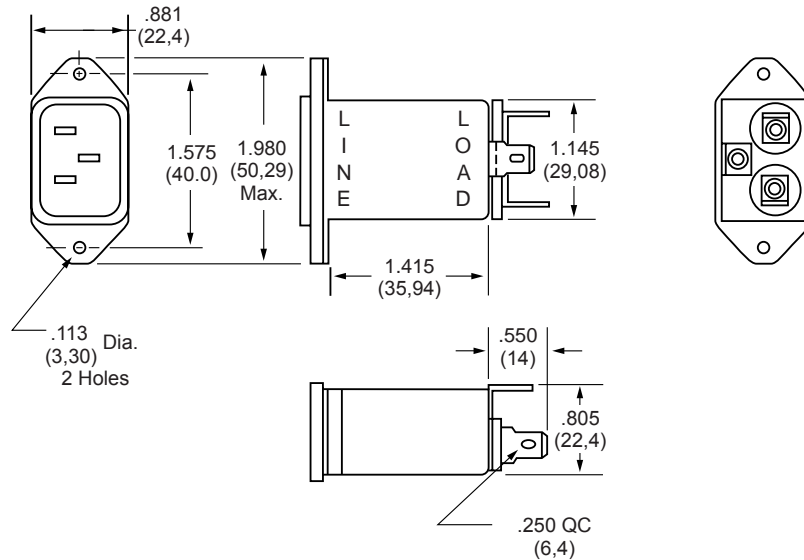


F3000AA
(6Amp)
Dimensions



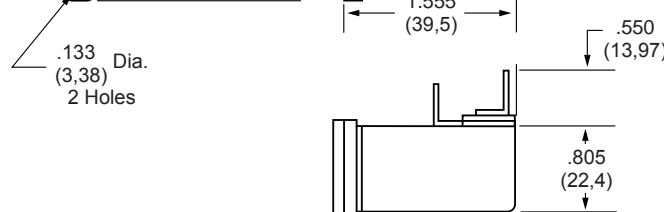
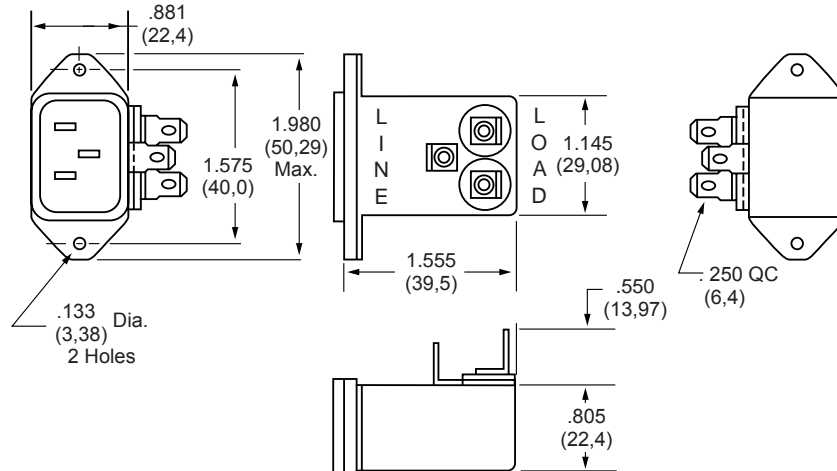
F3100CA
(6Amp)
F3400CA
(3 and 6Amp)
Dimensions

Refer to Page 62
for Standard
Mounting Cutouts



F3200CA
(6Amp)
F3500CA
(3 and 6Amp)
Dimensions

Refer to Page 62
for Standard
Mounting Cutouts



F3300 RFI Filters



Features:

- General Purpose “L-Type” Circuit Effective in Reducing Both Incoming and Outgoing Powerline Noise Levels in FCC “A” Applications
- Integral 5 X 20mm Single or Dual Fused IEC Connector
- Optional SST Switched IEC Connector
- Low-Leakage
- Available to UL/IEC 60601 Standard and Meets UL 544 Specification for Medical and Dental Applications
- Available in Labor-Saving PC Mounted Case Style

Specifications:

Rated Voltage: 250VAC Maximum - 50/60 Hz

Rated Current: 115VAC 250VAC
 3A 3A
 6A 6A

Current Overload: 6X for 8 seconds

Hi-Pot Test (1 min):

Line to Ground 1500VAC
Line to Line 1768VDC

Insulation Resistance: 9 x 10⁹ Ω at 100VDC

Ambient Temperature: 40°C Max. at Rated Current

Humidity Range: 0% to 95% R.H.

Termination:

- A: QC – Quick Connect
- F: Fused IEC
- J: Switched IEC
- P: PC – P.C. Board
- W: Dual Fused IEC

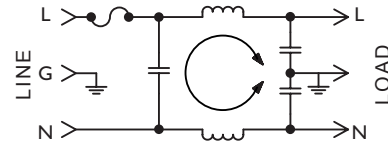
Maximum Leakage Current:

Each Line to Ground **F3300**
115VAC, 60Hz: .015mA
250VAC, 50Hz: .025mA

Agency Approvals:



F3300F Simplified Schematic



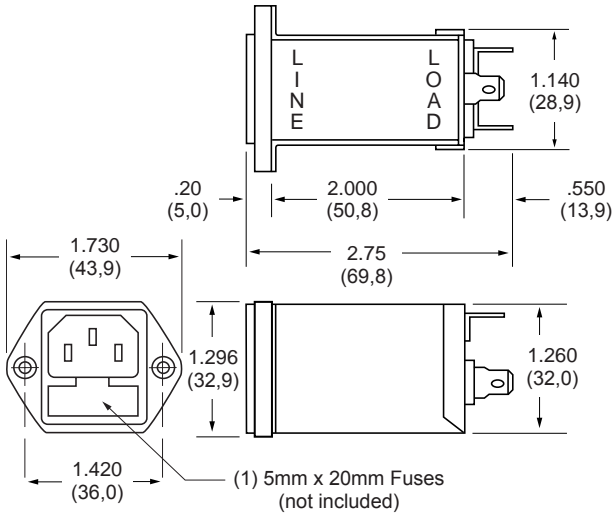
Nominal Current Rating	Part Number	Termination Line/Load	MINIMUM INSERTION LOSS - dB (50 ohm Circuit)						
			MODE	Frequency - MHz					
				.15	.50	1.0	5.0	10	30
3A	F3300FA03 F3300FP03	Fused IEC/QC Fused IEC/PC	Common	21	32	36	30	28	28
			Differential	8	18	24	35	35	35
6A	F3300FA06 F3300FP06	Fused IEC/QC Fused IEC/PC	Common	18	30	34	26	25	25
			Differential	8	18	24	35	35	35
3A	F3300WA03 F3300WP03	Dual Fused IEC/QC Dual Fused IEC/PC	Common	21	32	36	30	28	28
			Differential	8	18	24	35	35	35
6A	F3300WA06 F3300WP06	Dual Fused IEC/QC Dual Fused IEC/PC	Common	18	30	34	26	25	25
			Differential	8	18	24	35	35	35
3A	F3300JA03 F3300JP03	Switched IEC/QC Switched IEC/PC	Common	21	32	36	30	28	28
			Differential	8	18	24	35	35	35
6A	F3300JA06 F3300JP06	Switched IEC/QC Switched IEC/PC	Common	18	30	34	26	25	25
			Differential	8	18	24	35	35	35

NOTE: Other combinations of terminals may be specified on special order.

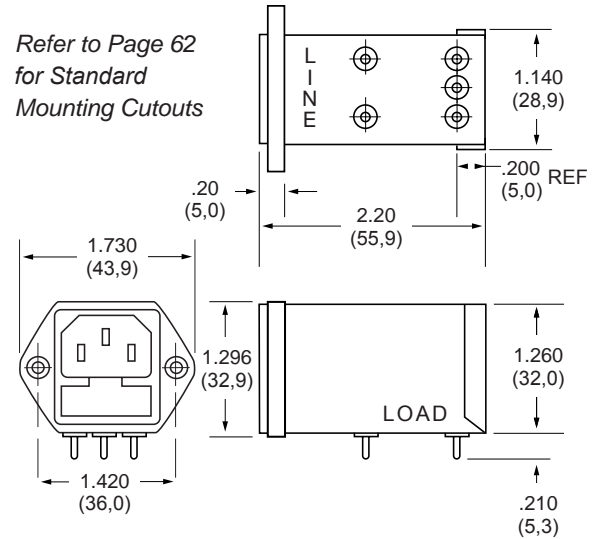




F3300FA (3 and 6Amp) Dimensions

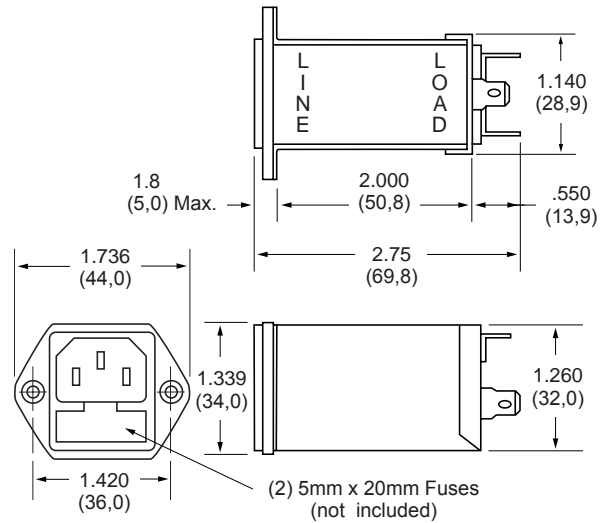
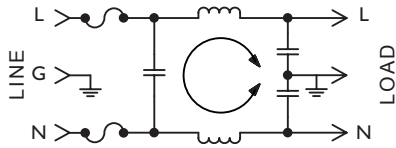


F3300FP (3 and 6Amp) Dimensions



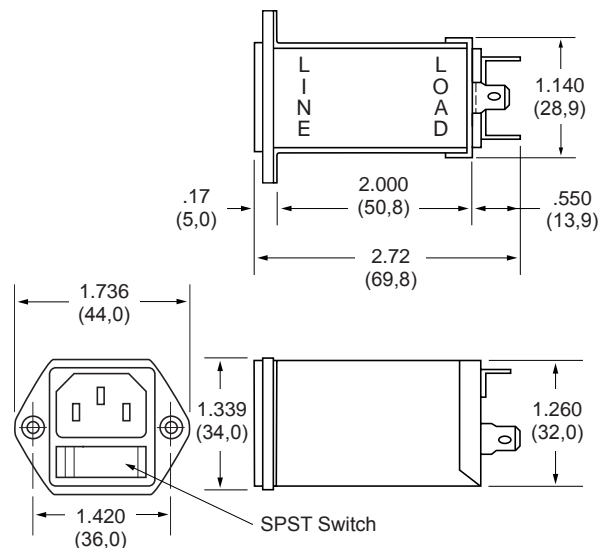
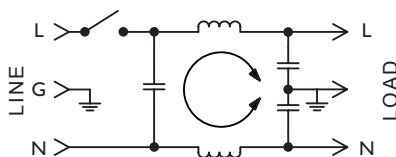
F3300WA (3 and 6Amp) Dimensions

F3300W Simplified Schematic



F3300JA (3 and 6Amp) Dimensions

F3300J Simplified Schematic



Dimensions are in inches and millimeters unless otherwise specified. Values in parentheses are metric equivalents.



PE7/PM7 Series

Combination

POWER ENTRY MODULES



Features:

- RFI Filter Module Combines IEC Connector, Fusing, and Voltage Select Features in One Unit
- PE7 Series Filters Provide 20% More Differential Mode Attenuation Than Comparable Units
- Accepts Either U.S. or European Standard Fuse Sizes
- Available to UL/IEC 60601 Standard and Meets UL 544 Specification for Medical and Dental Applications

Specifications:

Rated Voltage: 250VAC Maximum - 50/60 Hz

Rated Current: 115VAC 250VAC
3A 3A
6A 6A

Current Overload: 6X for 8 Seconds

Hi-Pot Test (1 min):

Line to Ground 1500VAC
Line to Line 1768VDC

Insulation Resistance: $9 \times 10^9 \Omega$ at 100VDC

Ambient Temperature: 40°C Max. at Rated Current

Humidity Range: 0% to 95% R.H.

Termination:

- IEC Receptacle
- Wire Wrap/Solder

Maximum Leakage Current:

Each Line to Ground	PE7	PM7
115VAC, 60Hz:	0.25mA	0.002mA
250VAC, 50Hz:	0.40mA	0.005mA

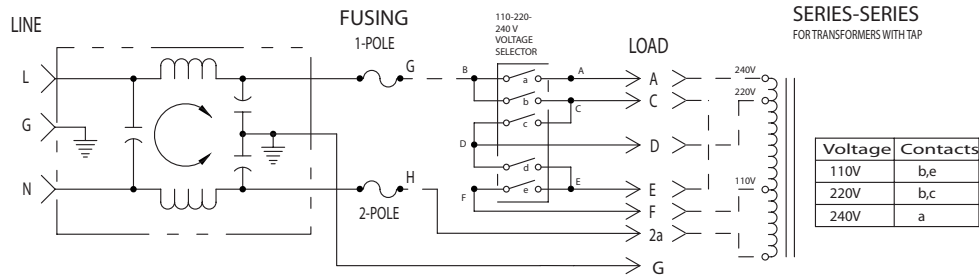
Voltage Select Card: Installed in 120VAC position unless otherwise specified

Agency Approvals:



Refer to Page 59 for Ordering Instructions

PE7/PM7 Series Simplified Schematic

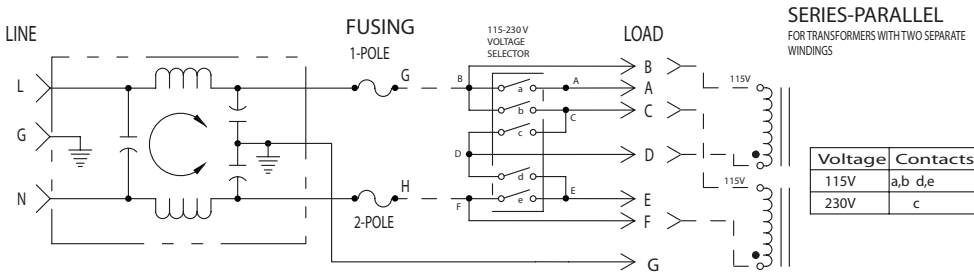
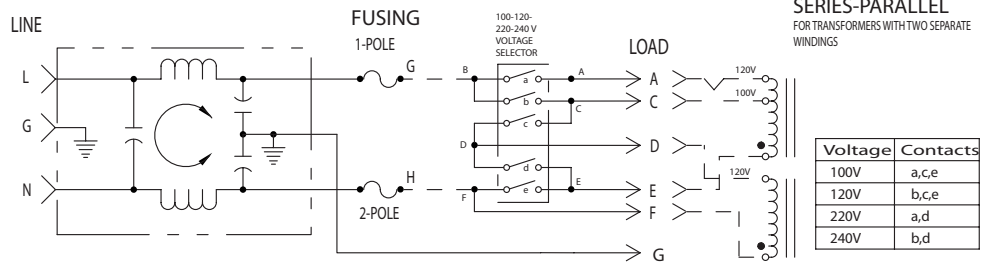


Nominal Current Rating	Part Number	Termination Line/Load	MINIMUM INSERTION LOSS - dB (50 ohm Circuit)						
			MODE	Frequency - MHz					
				.15	.50	1.0	5.0	10	30
3A	PE7XXX03	IEC/Solder Tabs	Common Differential	18 8	24 18	30 24	45 46	45 50	50 40
	PM7XXX03	IEC/Solder Tabs	Common Differential	14 8	20 18	22 24	24 32	22 30	15 30
6A	PE7XXX06	IEC/Solder Tabs	Common Differential	10 8	19 18	24 24	39 39	44 40	50 40
	PM7XXX0	IEC/Solder Tabs	Common Differential	10 8	15 18	18 24	18 32	18 28	15 25



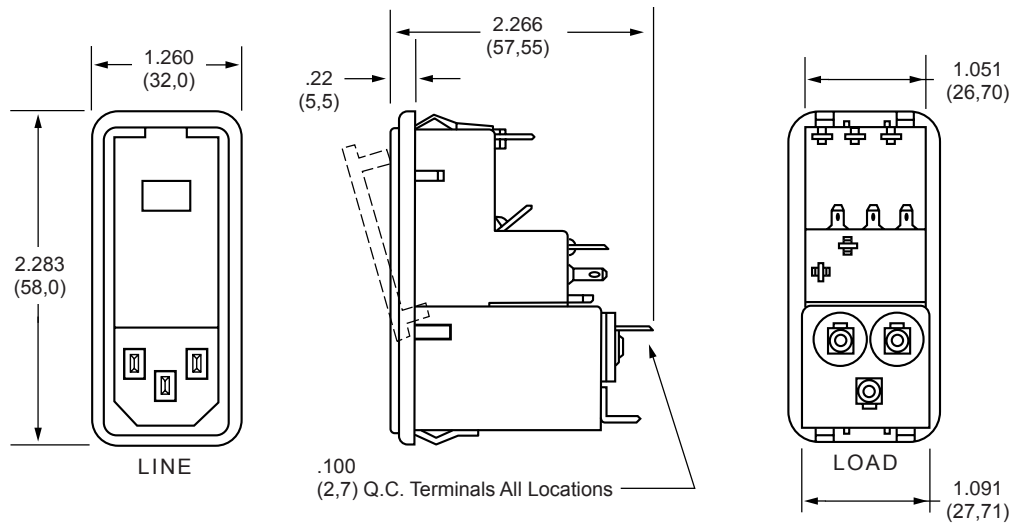


PE7/PM7 Series Simplified Schematic



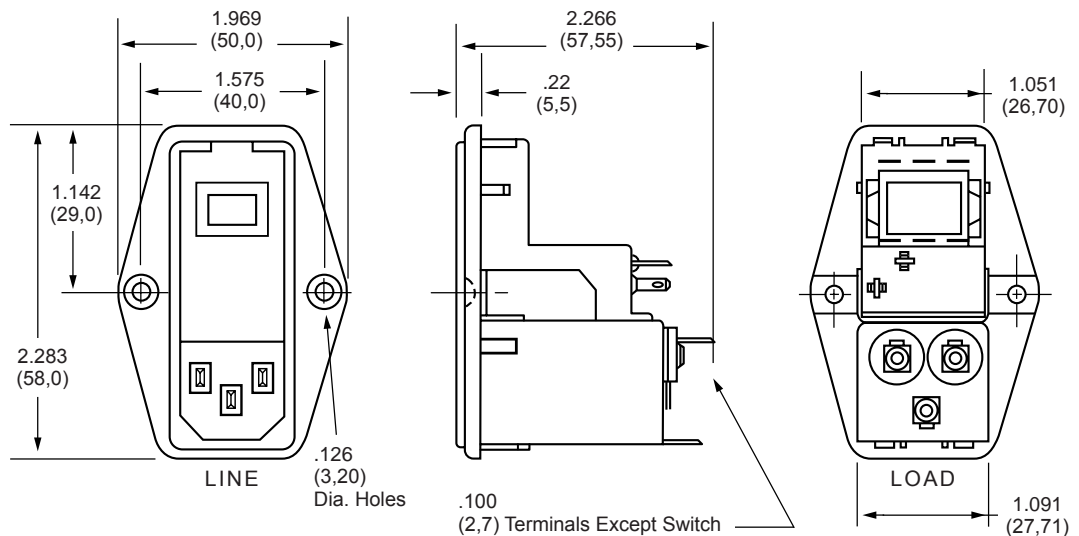
PE7/PM7 Snap-Mount Series (3 and 6Amp) Dimensions

Refer to Page 59 for Standard Mounting Cutouts



PE7/PM7 Screw-Mount Series (3 and 6Amp) Dimensions

Refer to Page 59 for Standard Mounting Cutouts



Dimensions are in inches and millimeters unless otherwise specified. Values in parentheses are metric equivalents.



Curtis Industries
A Division of Powers Holdings, Inc.

1-800-657-0853

PE8/PM8 Series



Features:

- RFI Filter Module Combines IEC Connector, Fusing and On/Off Switch in One Unit
- Accepts Either U.S. or European Standard Fuse Sizes
- PE8 Series Filters Provide 20% More Differential Mode Attenuation than Comparable Units
- Available to UL/IEC 60601 Standard and Meets UL 544 Specification for Medical and Dental Applications

Specifications:

Rated Voltage: 250VAC Maximum - 50/60 Hz

Rated Current: 115VAC 250VAC
3A 3A
6A 6A

Current Overload: 6X for 8 seconds

Hi-Pot Test (1 min):

Line to Ground 1500VAC
Line to Line 1768VDC

Insulation Resistance: $9 \times 10^9 \Omega$ at 100VDC

Ambient Temperature: 40°C Max. at rated current

Humidity Range: 0% to 95% R.H.

Termination:

- IEC Receptacle
- Wire Wrap/Solder

Maximum Leakage Current:

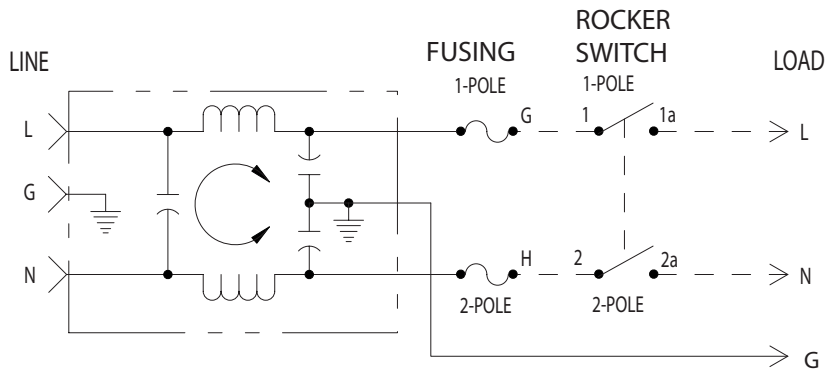
Each Line to Ground	PE8	PM8
115VAC, 60Hz:	0.25mA	0.002mA
250VAC, 50Hz:	0.40mA	0.005mA

Agency Approvals:



Refer to Page 59 for Ordering Instructions

PE8/PM8 Simplified Schematic



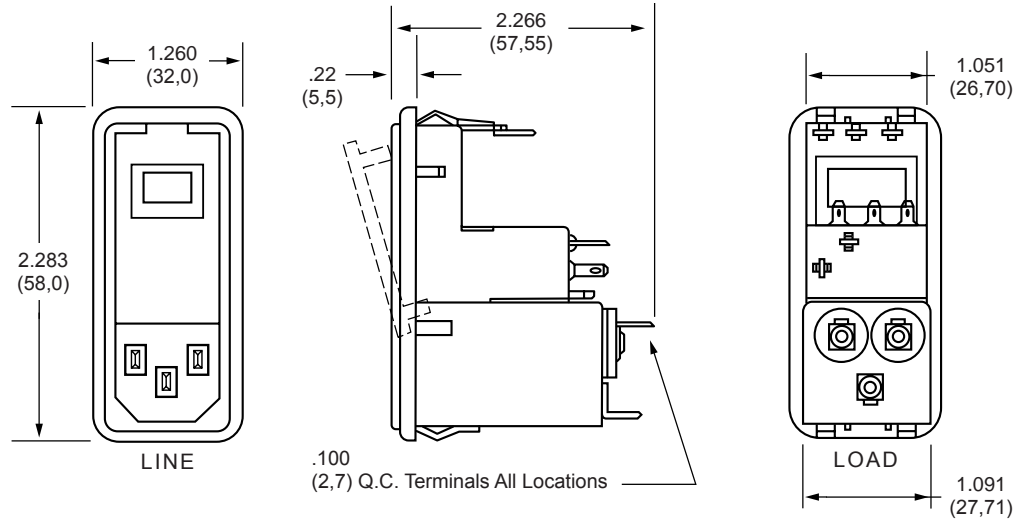
Nominal Current Rating	Part Number	Termination Line/Load	MINIMUM INSERTION LOSS - dB (50 ohm Circuit)						
			MODE	Frequency - MHz					
				.15	.50	1.0	5.0	10	30
3A	PE8XXX03	IEC/Solder Tabs	Common Differential	18 8	24 18	30 24	45 46	45 50	50 40
	PM8XXX03	IEC/Solder Tabs	Common Differential	14 8	20 18	22 24	24 32	22 30	15 30
6A	PE8XXX06	IEC/Solder Tabs	Common Differential	10 8	19 18	24 24	39 39	44 40	50 40
	PM8XXX06	IEC/Solder Tabs	Common Differential	10 8	15 18	18 24	18 32	18 28	15 25





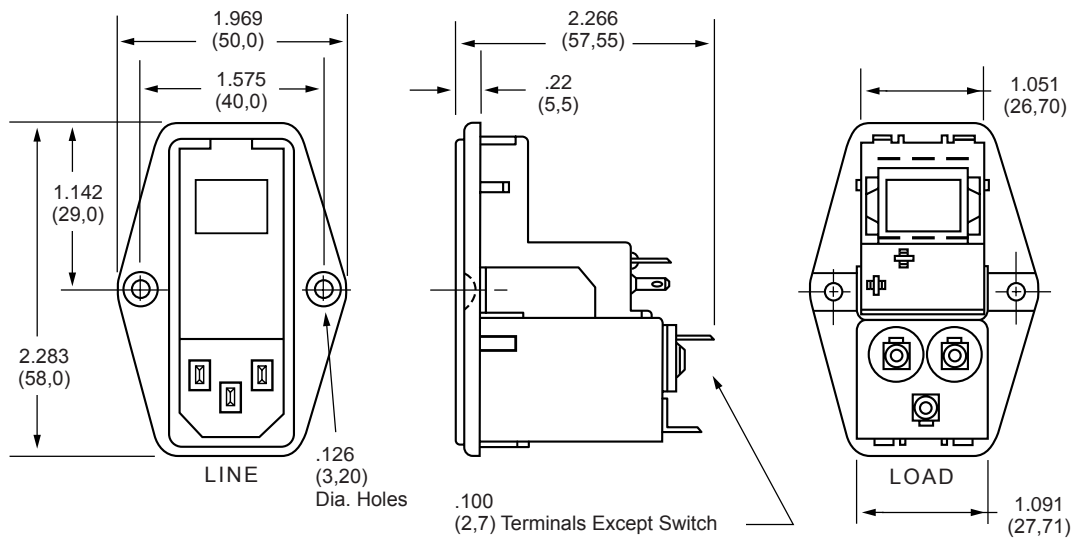
PE8/PM8 Snap-Mount Series (3 and 6Amp) Dimensions

Refer to Page 59
for Standard
Mounting Cutouts



PE8/PM8 Screw-Mount Series (3 and 6Amp) Dimensions

Refer to Page 59
for Standard
Mounting Cutouts



PE9/PM9 Series



Specifications:

Rated Voltage: 250VAC Maximum - 50/60 Hz

Rated Current: 115VAC 250VAC
3A 3A
6A 6A

Current Overload: 6X for 8 seconds

Hi-Pot Test (1 min):

Line to Ground 1500VAC
Line to Line 1768VDC

Insulation Resistance: $9 \times 10^9 \Omega$ at 100VDC

Ambient Temperature: 40°C Max at rated current

Humidity Range: 0% to 95% R.H.

Termination:

- IEC Receptacle
- Wire Wrap/Solder

Maximum Leakage Current:

Each Line to Ground	PE9	PM9
115VAC, 60Hz:	0.25mA	0.002mA
250VAC, 50Hz:	0.40mA	0.005mA

Voltage Select Card: Installed in 120VAC position unless otherwise specified

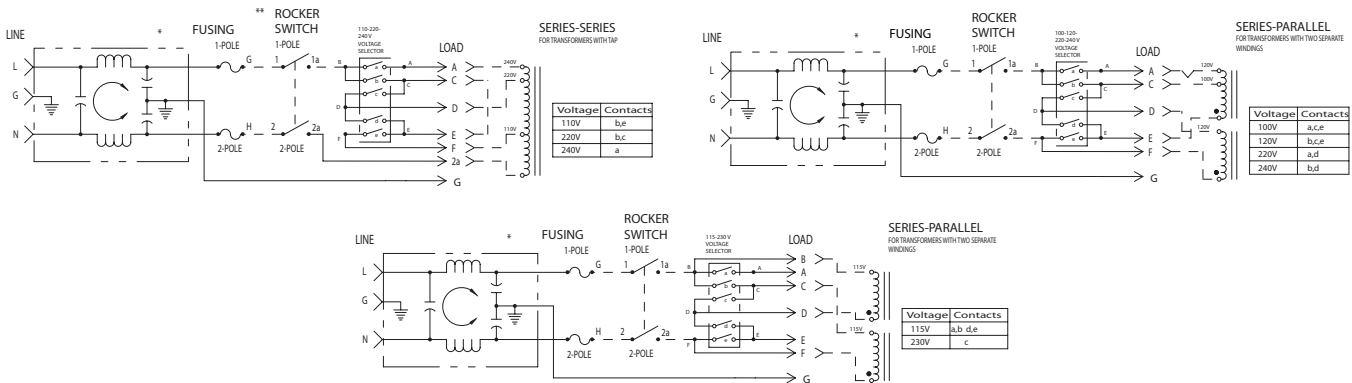
Agency Approvals:



Features:

- RFI Filter Module Combines IEC Connector, Fusing, Voltage Select and On/Off Switch into a Single, Space-Efficient Assembly
- PE90 Series Filters Provide 20% More Differential Mode Attenuation Than Comparable Units
- Accepts Either U.S. or European Standard Fuse Sizes
- Available to UL/IEC 60601 Standard and Meets UL 544 Specification for Medical and Dental Applications

PE9/PM9 Series Simplified Schematic



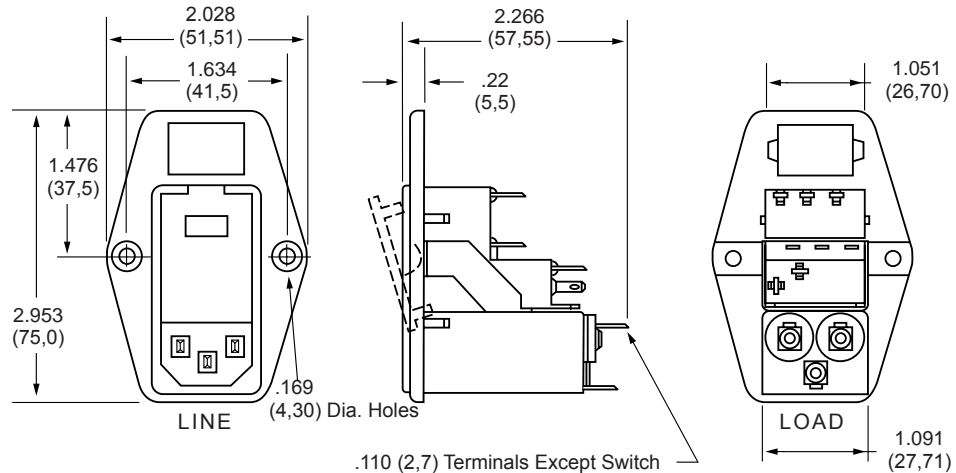
Nominal Current Rating	Part Number	Termination Line/Load	MINIMUM INSERTION LOSS - dB (50 ohm Circuit)						
			MODE	Frequency - MHz					
				.15	.50	1.0	5.0	10	30
3A	PE9XXX03	IEC/Solder Tabs	Common Differential	18 8	24 18	30 24	45 46	45 50	50 40
	PM9XXX03	IEC/Solder Tabs	Common Differential	14 8	20 18	22 24	24 32	22 30	15 30
6A	PE9XXX06	IEC/Solder Tabs	Common Differential	10 8	19 18	24 24	39 39	44 40	50 40
	PM9XXX06	IEC/Solder Tabs	Common Differential	10 8	15 18	18 24	18 32	18 28	15 25





PE9/PM9 (3 and 6Amp) Dimensions

Refer to Standard
Mounting Cutouts
Below



How to Order

	PE7	PE8	PE9	X	X	X	X	X
SERIES								
PE = Power Entry								
PM = Medical Power Entry								
MOUNTING METHOD & FUSING								
0 = Snap Mount Metric Fuse (Except PE90 Series)								
1 = Snap Mount Metric Fuse (Except PE90 Series)								
2 = Snap Mount Metric Fuse (Except PE90 Series)								
3 = Snap Mount Metric Fuse (Except PE90 Series)								
6 = Screw Mount Metric Fuse								
7 = Screw Mount U.S. Fuse								
8 = Screw Mount 2 Metric Fuses								
9 = Screw Mount 2 U.S. Fuses								
OPTIONS (Consult Factory)								
0 = Standard Units								
CURRENT RATING								
3 = 3 AMP								
6 = 6 AMP								
SWITCH								
0 = No Switch								
1 = SPST Rocker Switch w/Q.C.								
2 = DPST Rocker Switch w/Q.C.								
VOLTAGE SELECTOR								
0 = No Selector (PE80 Series)								
1 = 110-220-240 VAC								
2 = 100-120-220-240 VAC								
3 = 115-230 VAC								

INSTALLATION INSTRUCTION IMPORTANT - CHANGING FUSE/VOLTAGE

PE7/PE8/PE9

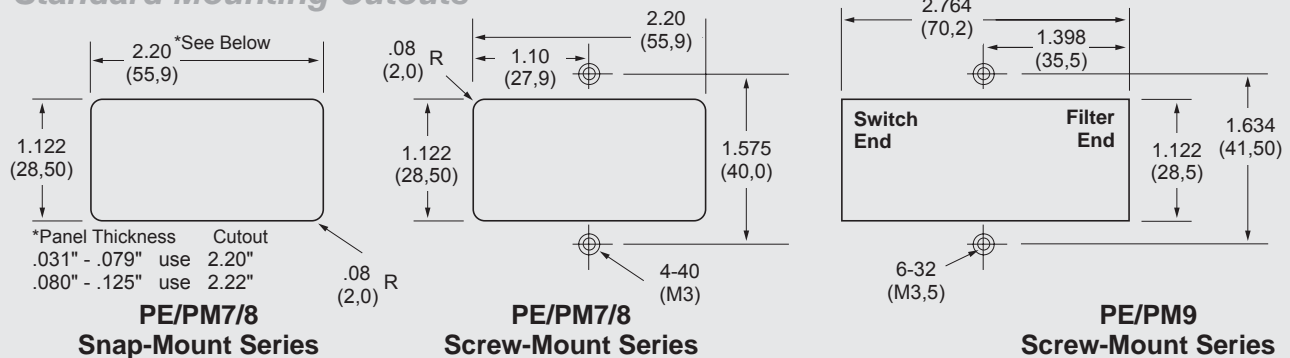
To change fuse, remove power cord and open the front cover on the module. Remove fuse holder and replace fuse. Reinsert fuse holder and close cover.

To change the operating voltage on the PE7/PM7 and PE9/PM9 Series, remove the power cord and open front cover. Rotate voltage select wheel until desired voltage appears in window of cover.

- Filter shipped without fuse.

Always use caution when selecting and changing fuses and voltage requirements. Curtis Industries is not responsible for malfunction due to improper installation/selection of fuse and/or voltage select.

Standard Mounting Cutouts



Dimensions are in inches and millimeters unless otherwise specified. Values in parentheses are metric equivalents.



Curtis Industries
A Division of Powers Holdings, Inc.

1-800-657-0853

59

Combination

POWER ENTRY MODULES

PE1/PM1 Series

Combination



Features:

- RFI Filter Module Combines IEC Connector, Fusing, Optional Voltage Select and On/Off Switch into a Single, Space-Efficient Assembly
- Enhanced Low Frequency Response with No Resonant Peaks
- Fully Shielded for Radiative Noise Control
- Accepts Either U.S. or European Standard Fuse Sizes. Dual or Single Power Line Fusing
- Available to UL/IEC 60601 Standard and Meets UL 544 Specification for Medical and Dental Applications

Specifications:

Rated Voltage: 250VAC Maximum - 50/60 Hz

Rated Current: 115VAC 250VAC
 10A 10A

Current Overload: 6X for 8 seconds

Hi-Pot Test (1 min):

Line to Ground 1500VAC
Line to Line 2250VDC

Insulation Resistance: $9 \times 10^9 \Omega$ at 100VDC

Ambient Temperature: 40°C Max at rated current

Humidity Range: 0% to 95% R.H.

Termination:

- QC – Quick Connect
- IEC Receptacle

Maximum Leakage Current:

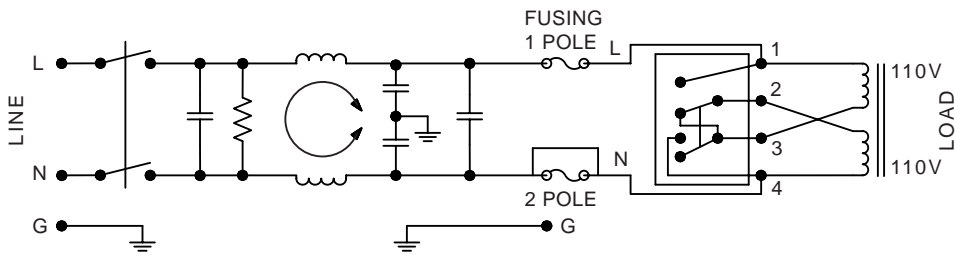
Each Line to Ground	PE1	PM1	PE1-PO	PM1-PO
115VAC, 60Hz:	0.25mA	0.002mA	0.4mA	0.015mA
250VAC, 50Hz:	0.40mA	0.005mA	.75mA	0.025mA

Voltage Select Card: Installed in 120VAC position unless otherwise specified

Agency Approvals:



PE1/PM1 Series Simplified Schematic with Voltage Selector



Nominal Current Rating	Part Number	Termination Line/Load	MINIMUM INSERTION LOSS - dB (50 ohm Circuit)								
			MODE	Frequency - MHz							
				.05	.15	.50	.10	5.0	10	30	
10A	PE1XXX10	IEC/QC	Common Differential	10 10	20 20	30 30	38 35	45 55	50 60	50 55	
	PM1XXX10	IEC/QC	Common Differential	10 10	20 20	30 30	33 33	25 55	20 60	15 55	
	PM1XXXP0	IEC/QC	Common Differential	12 10	23 20	30 30	35 33	25 55	25 60	30 55	
	PE1XXXP0	IEC/QC	Common Differential	13 10	24 20	33 30	38 35	48 65	54 65	54 55	

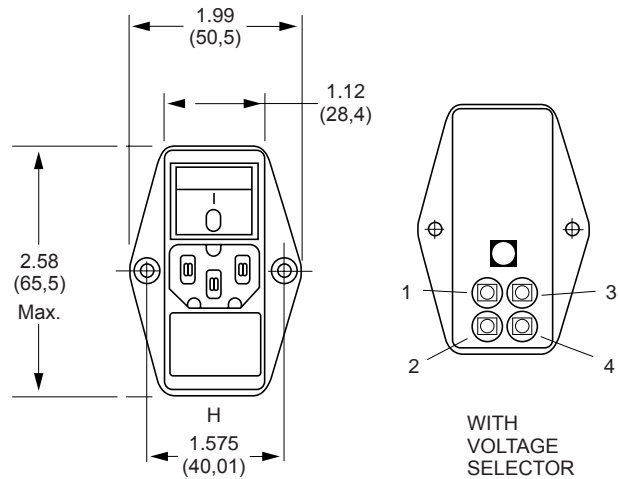
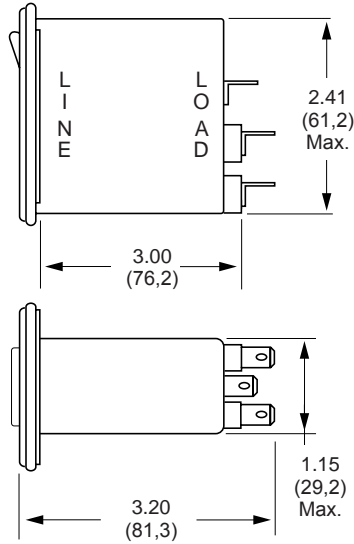
NOTE: Other combinations of terminals may be specified on special order.



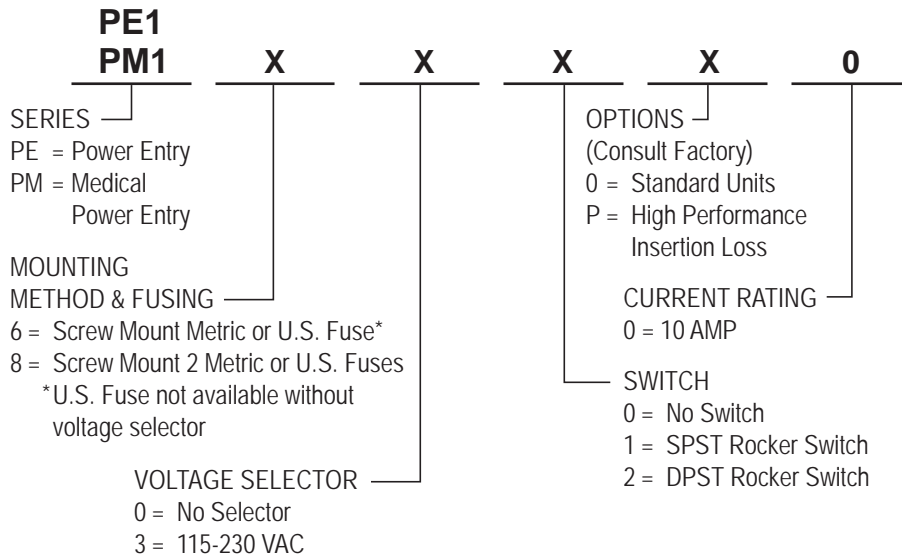


PE1/PM1 (10Amp) Dimensions

Refer to Standard
Mounting Cutouts
Below



How to Order



INSTALLATION INSTRUCTION IMPORTANT – CHANGING FUSE/VOLTAGE

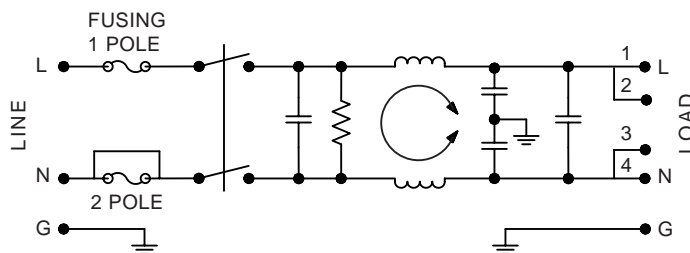
PE1/PM1

To change fuse, remove power cord. Remove voltage selector and replace fuse. Reinsert fuse holder. To change the operating voltage on the PE1/PM1 Series, remove the power cord and rotate fuse holder block until desired voltage aligns with the mark on the module housing.

- Filter shipped without fuse.

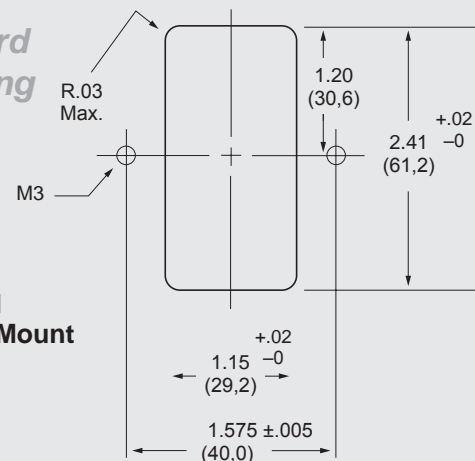
Always use caution when selecting and changing fuses and voltage requirements. Curtis Industries is not responsible for malfunction due to improper installation/selection of fuse and/or voltage select.

PE1/PM1 Series Simplified Schematic without Voltage Selector



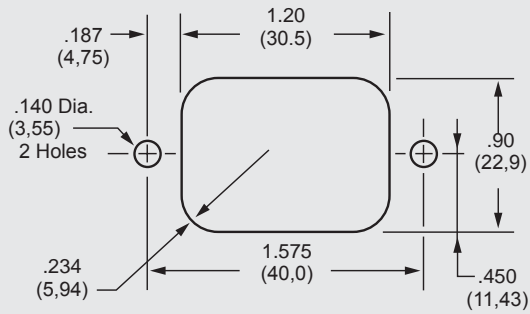
Standard Mounting Cutout

PE/PM1 Screw-Mount Series

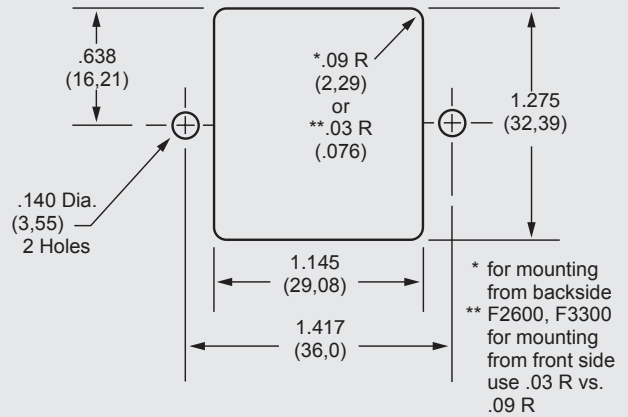


Standard Mounting Cutouts

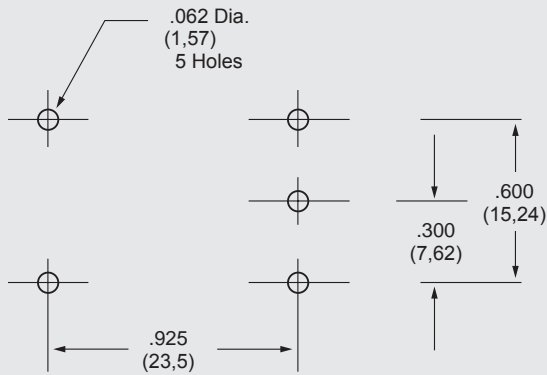
F2200CA, F2300CA, F2500CA, F2700CA, F3200CA, F3500CA



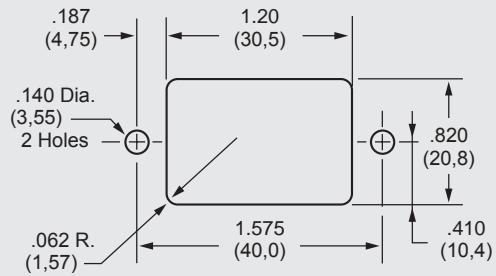
F2600, F3300



F2600FP, F3300FP



F2100CA, F2400CA, F3100CA, F3400CA



F2700FB

