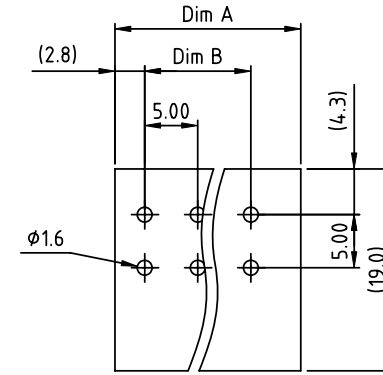
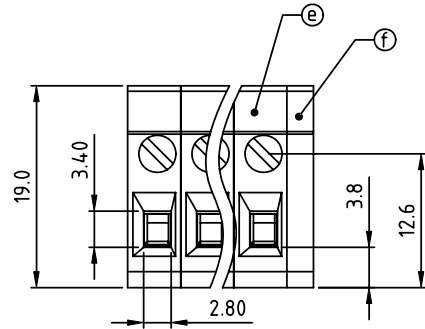


PRODUCT NUMBER	PITCH
TRxx05x000J0G	5.00 mm



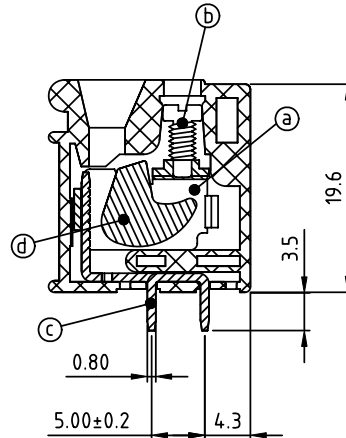
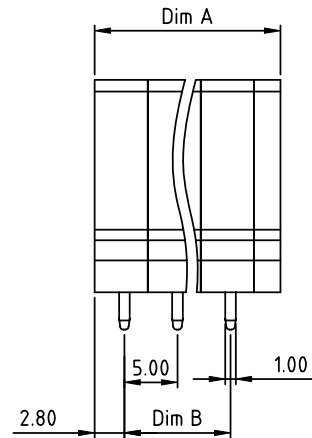
RECOMMENDED P.C.B LAYOUT
TOP VIEW

Material:

- Item (a) Terminal body (metal housing): steel stamping Zinc plating
- Item (b) Terminal screw: Steel Zinc plating "-" slot type
- Item (c) Contacts: Brass, Tin plated
- Item (d) Firm wire chunk: steel Zinc plating
- Item (e) Terminal (housing): Thermoplastic (UL94V-0)
- Item (f) Terminal cover: Thermoplastic (UL94V-0)

Electrical cULus

- Voltage rating: 300VAC
- Current rating: 20A
- Wire range:
- Solid wire (AWG): 12-22
- Stranded wire (AWG): 12-22
- Torque (Lb-In): 2.4
- Screw: M2.5
- Wire strip length: 10-11mm
- Withstanding Voltage: 1.6KV
- Operating temperature: -40°C to +115°C
- Soldering temperature: 260°C ± 5°C / 5 Sec
- Safety Approval: cULus



N = Number of poles
Dim A = N × 5.0 + 2.5
Dim B = (N - 1) × 5.0

Poles	Tolerance
1p	±0.10
2p-6p	±0.20
7p-12p	±0.25
13p-18p	±0.35
19p-24p	±0.40

PART NO.: TR xx 0 5 x 0 00J0 G

	End stackable	No. of poles	Body Color	RoHS compliant
0	0	2	Black (RAL9005)	(lead < 4%)
1	01	1 pole	Red (RAL3001/D)	In copper Alloy
2	02	2 poles	Orange (RAL2011/P)	
3	Yellow (RAL1018/A)	
4	Green (RAL6018/T)	
5	24	24 poles	Blue (RAL5015/A)	
6			Grey (RAL7035/D)	
7			White (RAL1102)	
8			Green (RAL6018/U)	

mat'l. code		surface ASME Y14.5	tolerance ASME Y14.5	projection	product family	
ltr		tolerances unless otherwise specified		MM	TERMINAL BLOCK	
ecn	no	dr	date		title	
		angles	X ± 0.5	scale	TERMINAL BLOCK	
		±	X.X ± 0.3		WIRE PROTECTOR, 90D WIRE INLET	
		X* ± 1*	X.XX ± 0.1	dwg no	sheet 1 of 1	
		dr	EVIN ZHONG 040114	FCI	size	
		enr	EVIN ZHONG 040114		TRxx05x000J0G	A4
		chr	HANKE FENG 040114		type	CUSTOMER Drawing
		appd	SHI JUN 040114			
sheet index	revision	A				
	sheet	1				