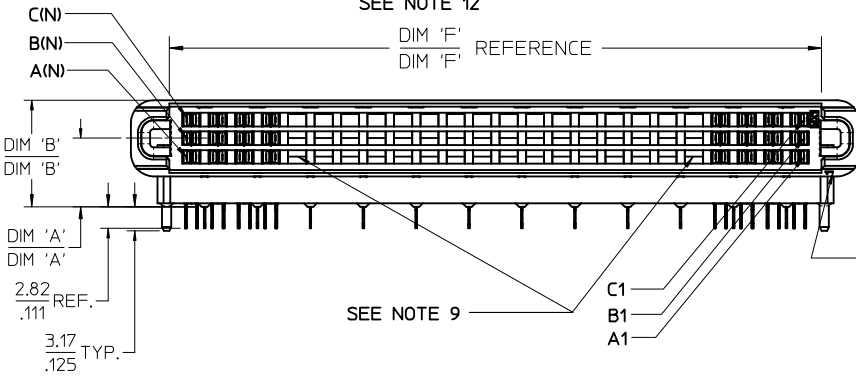


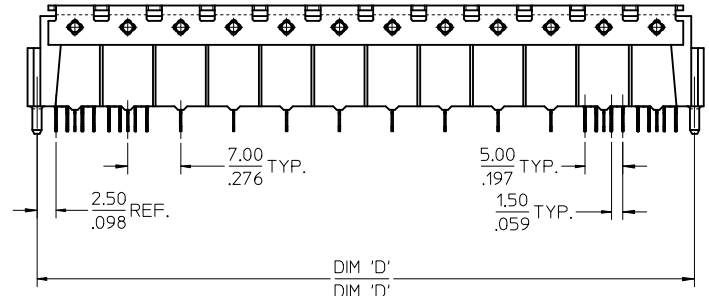
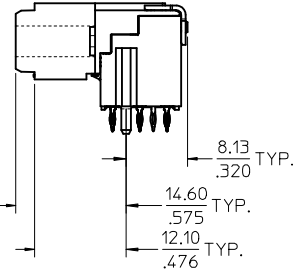
MARKING  
SEE NOTE 12



SEE NOTE 9

C1  
B1  
A1

CIRCUIT  
A1  
IDENTIFIER



CIRCUIT A1  
IDENTIFIER

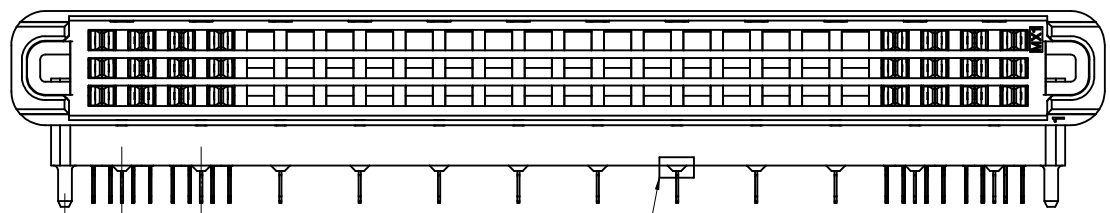
NOTES:

- 1) MATERIALS:  
HOUSING - LIQUID CRYSTAL POLYMER, UL94 V-0  
WAFER DIELECTRIC - LIQUID CRYSTAL POLYMER, UL94 V-0  
CONTACT - COPPER ALLOY
- 2) FINISHES:  
CONTACT INTERFACE  
0.76 MICROMETER MINIMUM SELECT GOLD  
1.27 MICROMETER MINIMUM NICKEL OVERALL  
COMPLIANT INTERFACE  
0.76 MICROMETER MINIMUM SELECT TIN-LEAD OVER  
1.27 MICROMETER MINIMUM NICKEL OVERALL  
HOUSING  
0.10 MICROMETER MAXIMUM IMMERSION GOLD OVER  
3.81 MICROMETER MINIMUM NICKEL OVER  
3.81 MICROMETER MINIMUM COPPER OVERALL
- 3) PRODUCT SPECIFICATION: THIS PART CONFORMS TO MOLEX SPECIFICATION PS-75018-001.
- 4) PACKAGING SPECIFICATION: THIS PART TO BE PACKAGED PER SPECIFICATION PK-75020-010.
- 5) APPLICATION SPECIFICATION: THIS PART TO BE APPLIED PER SPECIFICATION PS-75018-001, APPLICATION TOOL AND INSTRUCTIONS PER AS-75018-001.
- 6) MATING INFORMATION  
THIS PART MATES WITH 75019-XXXX.  
WILL MATE WITH MAXIMUM 1.27mm MIS-ALIGNMENT.  
WILL MATE WITH MAXIMUM 0.5° MIS-ALIGNMENT.
- 7) FOR CIRCUIT DESIGNATION SEE SHEET 3
- 8) FOR PCB INFORMATION SEE SHEET 3
- 9) CIRCUITS IN THIS ZONE HAVE BEEN OMITTED TO SIMPLIFY THE MODEL. ACTUAL PRODUCT IS FULLY LOADED WITH TERMINALS.
- 10) APPLICATION TOOLING KEEP OUT AREA. NO COMPONENTS ALLOWED IN THIS AREA.
- 11) CONFORMS TO MOLEX COSMETIC SPECIFICATION PS-45499-002 AND PS-45499-003, CLASS C.
- 12) MARKING: PART NUMBER, MOLEX LOGO, DATE CODE
- 13) RECOMMENDED DRILL SIZE 0.66±0.03 TO YIELD FINISHED PLATED THROUGH HOLE OF 0.55±0.05

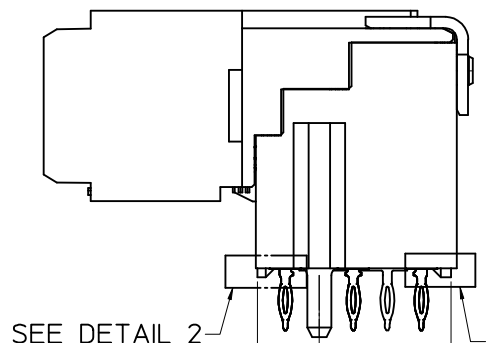
INITIAL RELEASE EC NO: UCP2009-2228 DRWINHIS BARRA 2009/05/22 CHKD:SDANNELLEY 2009/06/05 APPR:SMILLER 2009/06/08	DESCRIPTION A	QUALITY SYMBOLS ▽=0 ▽=0	GENERAL TOLERANCES (UNLESS SPECIFIED)		DIMENSION STYLE	SCALE	DESIGN UNITS	THIRD ANGLE PROJECTION		
			mm	INCH	MM/IN	2:1	METRIC			
			4 PLACES ± --- ± ---	3 PLACES ± --- ± .005	DRAWN BY	DATE	PLATEAU HS DOCK FIXED CONNECTOR NO GROUND FINGER			
			2 PLACES ± 0.13 ± .01	1 PLACE ± 0.25 ± ---	MIBARRA	2009/05/22				
ANGULAR ±1/2°		DRAFT WHERE APPLICABLE MUST REMAIN WITHIN DIMENSIONS		APPROVED BY	DATE	MOLEX MOLEX INCORPORATED DOCUMENT NO. SD-75018-061 SHEET NO. 1 OF 3				
SIZE C		SEE TABLE		SMILLER	2009/05/22					

ITEM NUMBER	CIRCUIT SIZE	NO. OF COLUMNS 'N'	CENTERLINE DIMENSION 'A' mm(in)	O/A HEIGHT DIMENSION 'B' mm(in)	O/A LENGTH DIMENSION 'C' mm(in)	PEG TO PEG DIMENSION 'D' mm(in)	FIRST-LAST DIMENSION 'E' mm(in)	WALL TO WALL DIMENSION 'F' mm(in)
75018-6016	120	40	4.74 (.187)	9.78 (.385)	82.50 (3.248)	73.00 (2.874)	68.00 (2.677)	72.30 (2.846)
75018-6021	144	48	4.74 (.187)	9.78 (.385)	96.50 (3.799)	87.00 (3.425)	82.00 (3.228)	86.32 (3.398)
75018-6022	144	48	5.74 (.226)	10.78 (.424)	96.50 (3.799)	87.00 (3.425)	82.00 (3.228)	86.32 (3.398)
75018-6023	144	48	8.74 (.344)	13.78 (.543)	96.50 (3.799)	87.00 (3.425)	82.00 (3.228)	86.32 (3.398)
75018-6026	120	40	4.74 (.187)	9.78 (.385)	82.50 (3.248)	73.00 (2.874)	68.00 (2.677)	72.30 (2.846)
75018-6024	108	36	4.74 (.187)	9.78 (.385)	75.50 (2.972)	66.00 (2.598)	61.00 (2.402)	65.29 (2.570)
75018-6025	108	36	8.74 (.344)	13.78 (.543)	75.50 (2.972)	66.00 (2.598)	61.00 (2.402)	65.29 (2.570)
75018-6027	108	36	5.74 (.226)	10.78 (.424)	75.50 (2.972)	66.00 (2.598)	61.00 (2.402)	65.29 (2.570)
75018-6029	120	40	5.74 (.226)	10.78 (.424)	82.50 (3.248)	73.00 (2.874)	68.00 (2.677)	72.30 (2.846)

NOTE: THIS ITEM NUMBER HAS ONLY SIGNAL PINS

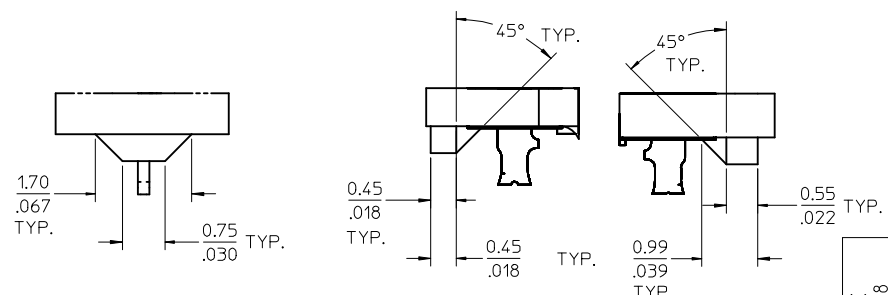


SEE DETAIL 1



SEE DETAIL 2

SEE DETAIL 3

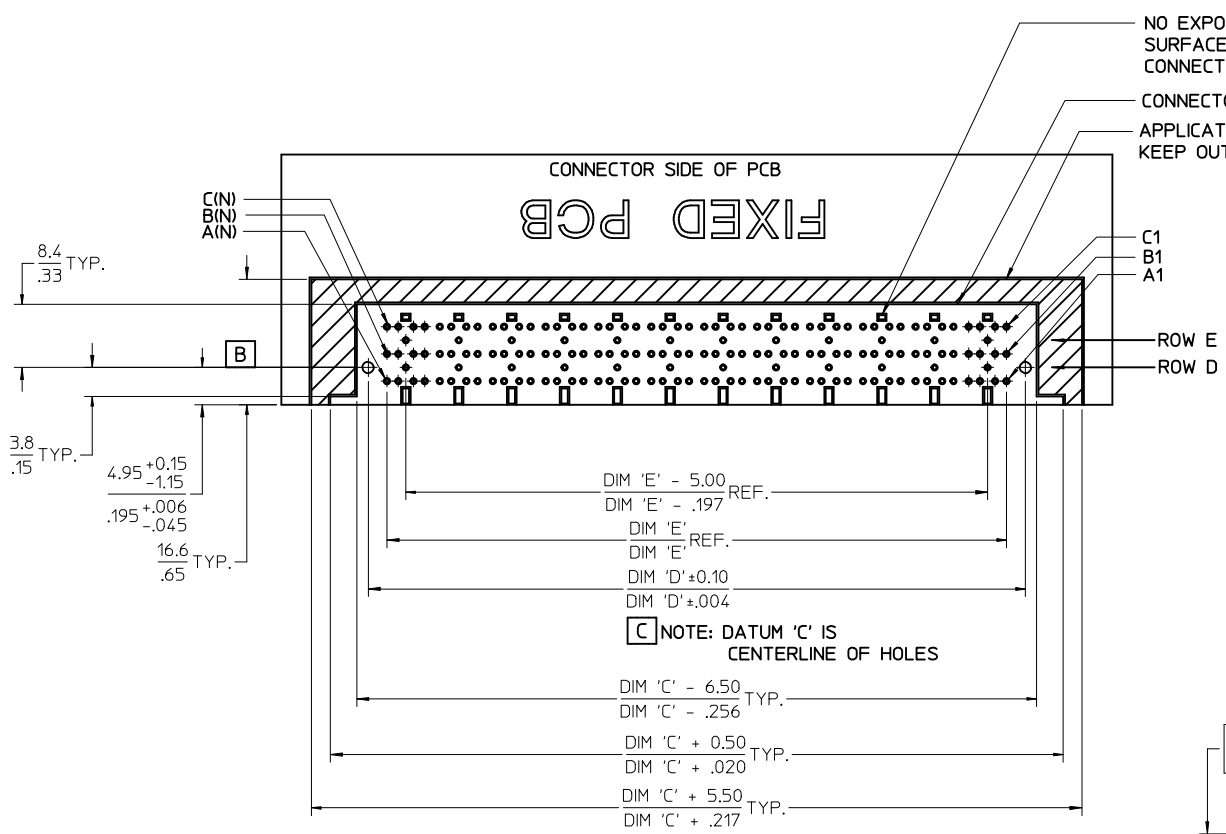


DETAIL 1  
SCALE 15:1

DETAIL 2  
SCALE 15:1

DETAIL 3  
SCALE 15:1

<b>INITIAL RELEASE</b> EC NO: UCP2009-2228 DRWN:MS BARRA 2009/05/22 CHKD:SDANNELLEY 2009/06/05 APPR:SMILLER 2009/06/08	DESCRIPTION REV A	QUALITY SYMBOLS ▽=0 ▽=0	GENERAL TOLERANCES (UNLESS SPECIFIED)		DIMENSION STYLE MM/IN	SCALE 3:1	DESIGN UNITS METRIC	THIRD ANGLE PROJECTION		
		4 PLACES ± --- ± --- 3 PLACES ± --- ± .005 2 PLACES ± 0.13 ± .01 1 PLACE ± 0.25 ± ---	mm INCH ± --- ± --- ± .005 ± .01 ± 0.25 ± ---	DRAWN BY MIBARRA	DATE 2009/05/22	TITLE <b>PLATEAU HS DOCK FIXED CONNECTOR NO GROUND FINGER</b>				
		ANGULAR ±1/2°		CHECKED BY SDANNELLEY	DATE 2009/05/22	APPROVED BY SMILLER				
		DRAFT WHERE APPLICABLE MUST REMAIN WITHIN DIMENSIONS		MATERIAL NO. <b>SEE TABLE</b>	DATE 2009/05/22	MOLEX INCORPORATED DOCUMENT NO. <b>SD-75018-061</b>				
				SIZE C	THIS DRAWING CONTAINS INFORMATION THAT IS PROPRIETARY TO MOLEX INCORPORATED AND SHOULD NOT BE USED WITHOUT WRITTEN PERMISSION					

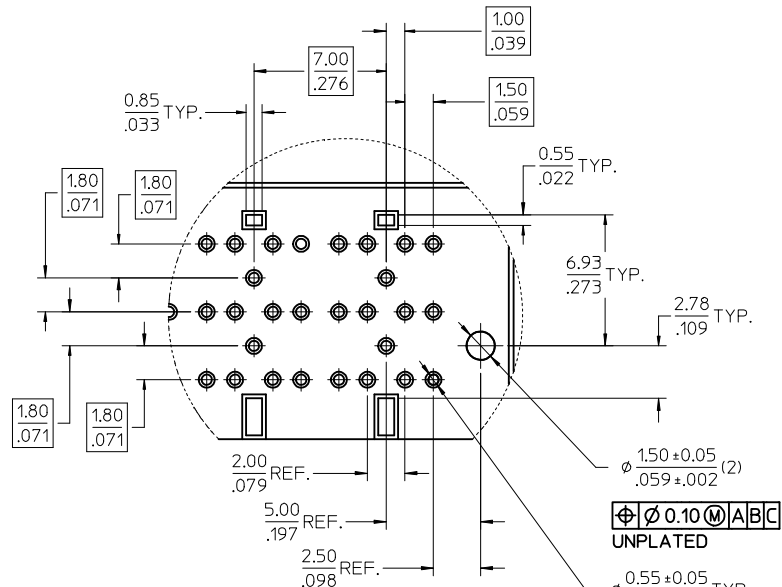


**CIRCUIT DESIGNATION**

FIRST MATE: HOUSING - SIGNAL GROUND  
 SECOND MATE: A1, C1, A(N), C(N) (FOR POWER RETURN)  
 THIRD MATE: A2, B2, C2, A(N-1), B(N-1), C(N-1) & ALL OTHERS (A2, C2, A(N-1) & C(N-1) FOR POWER) (ALL OTHERS SIGNAL)  
 LAST MATE: B1, B(N) (FOR CARD DETECT)

ALL COLUMNS FROM 3 THROUGH (N-2) ARE SUITABLE FOR DIFFERENTIAL PAIRS  
 EG: A3-A4, B3-B4, C3-C4, A(N-2)-A(N-3), B(N-2)-B(N-3)

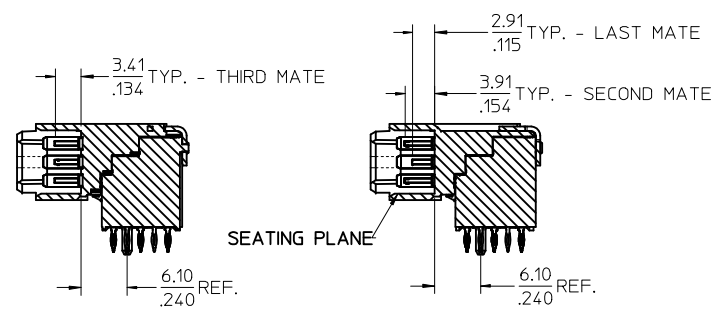
SIGNAL GROUND: ROWS D & E



**DETAIL X  
SCALE 5:1**

NOMINAL WIPE - FULL SEATED

FIRST MATE: 5.2mm  
 SECOND MATE: 2.7mm  
 THIRD MATE: 2.2mm  
 LAST MATE: 1.7mm



**SECTION Y-Y**

**SECTION Z-Z**

INITIAL RELEASE EC NO: UCP2009-2228 DRWN:MS BARRA 2009/05/22 CHKD:SDANNELLEY 2009/06/05 APPR:SMILLER 2009/06/08	QUALITY SYMBOLS ▽=0 ▽=0	GENERAL TOLERANCES (UNLESS SPECIFIED)		DIMENSION STYLE MM/IN		SCALE 2:1	DESIGN UNITS METRIC	THIRD ANGLE PROJECTION		
		4 PLACES ± --- ± --- 3 PLACES ± --- ± .005 2 PLACES ± 0.13 ± .01 1 PLACE ± 0.25 ± --- ANGULAR ± 1/2°	mm INCH ± --- ± --- ± .005 ± .01 ± --- ± ---	DRAWN BY MIBARRA	DATE 2009/05/22	CHECKED BY SDANNELLEY	DATE 2009/05/22	TITLE PLATEAU HS DOCK FIXED CONNECTOR NO GROUND FINGER		
REV A	DESCRIPTION INITIAL RELEASE	APPROVED BY SMILLER				DATE 2009/05/22	MOLEX INCORPORATED			
		MATERIAL NO. SEE TABLE				DOCUMENT NO. SD-75018-061	SHEET NO. 3 OF 3			

DRAFT WHERE APPLICABLE MUST REMAIN WITHIN DIMENSIONS

THIS DRAWING CONTAINS INFORMATION THAT IS PROPRIETARY TO MOLEX INCORPORATED AND SHOULD NOT BE USED WITHOUT WRITTEN PERMISSION