

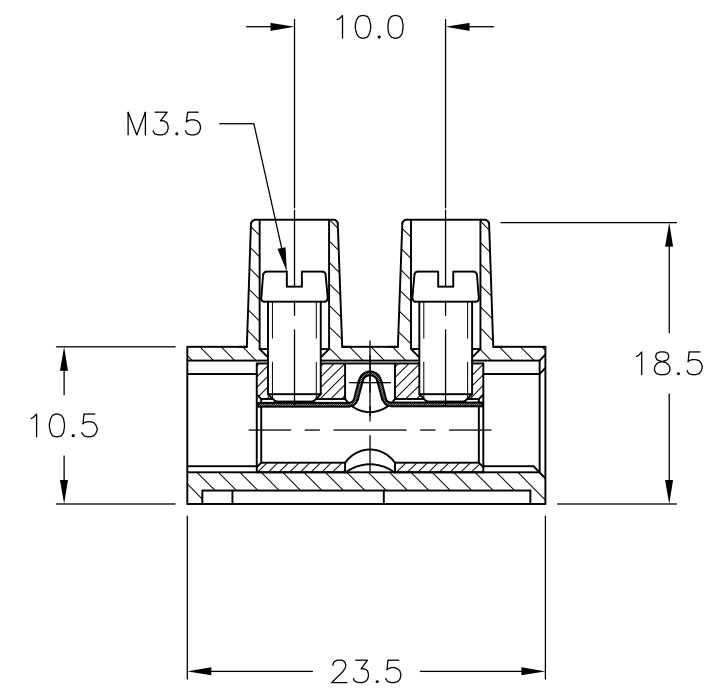
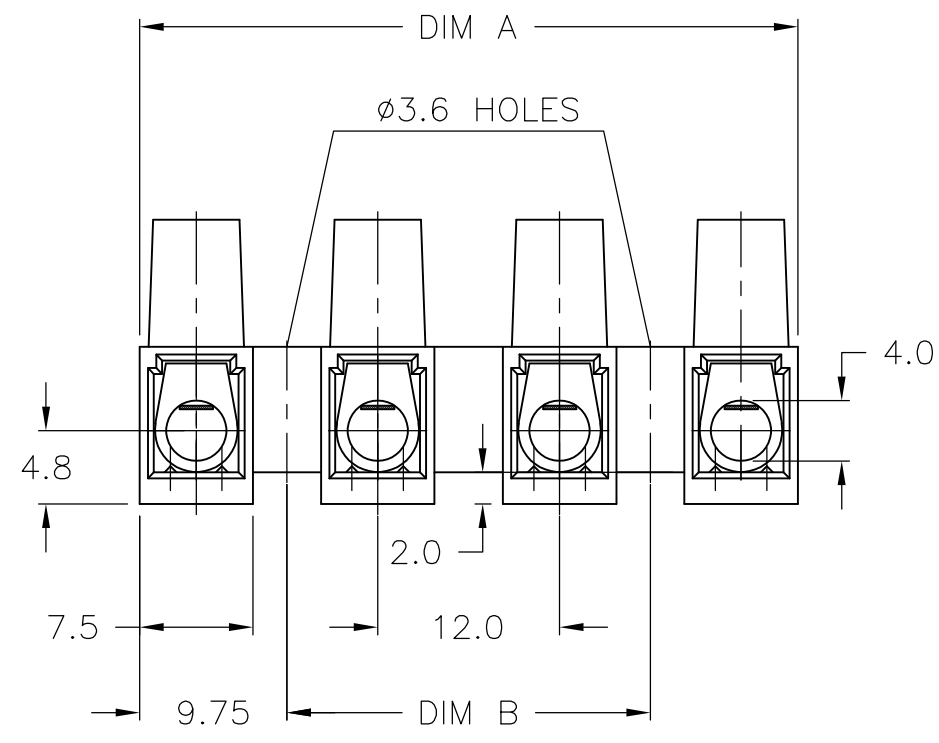
THIS DRAWING IS UNPUBLISHED. RELEASED FOR PUBLICATION
 © COPYRIGHT - By - ALL RIGHTS RESERVED.

LOC	DIST	REVISIONS					
FT	0	P	LTR	DESCRIPTION	DATE	DWN	APVD
		P		REVISED PER ECO-11-004820	11MAR11	RK	HMR

MATERIAL:
 HOUSING: POLYIMIDE 6 UL94V-2.
 COLOR: NATURAL(OFF WHITE).
 TUBULAR CONTACT: BRASS, TIN PLATED.
 SCREW: M3.5, STEEL, ZINC W/ NON-HEXAVALENT CHROMATE (CHROME III).
 WIRE PROTECTOR: STAINLESS STEEL.

ELECTRICAL:
 CURRENT RATING: 40A, 250V.
 WIRE RANGE: 10-22 AWG.

CONTINUOUS WORKING TEMPERATURE 100°C.



120.0	139.5	12	TSB100012DS	1-1776302-2
108.0	127.5	11	TSB100011DS	1-1776302-1
96.0	115.5	10	TSB100010DS	1-1776302-0
84.0	103.5	9	TSB100009DS	1776302-9
72.0	91.5	8	TSB100008DS	1776302-8
60.0	79.5	7	TSB100007DS	1776302-7
48.0	67.5	6	TSB100006DS	1776302-6
36.0	55.5	5	TSB100005DS	1776302-5
24.0	43.5	4	TSB100004DS	1776302-4
12.0	31.5	3	TSB100003DS	1776302-3
-	19.5	2	TSB100002DS	1776302-2
-	7.5	1	TSB100001DS	1776302-1
DIM B	DIM A	POSN	T & B PART NUMBER	PART NUMBER

THIS DRAWING IS A CONTROLLED DOCUMENT.		DWN	S SCHLEGEL	3/21/05	STE TE Connectivity		
DIMENSIONS: mm		CHK	C RICHARD	3/21/05			
TOLERANCES UNLESS OTHERWISE SPECIFIED:		APVD	C RICHARD	3/21/05	NAME		
0 PLC ± -		PRODUCT SPEC			12.0 PITCH, W/ WIRE PROTECTOR		
1 PLC ± .3		APPLICATION SPEC			-		
2 PLC ± .25		SIZE	A3	CAGE CODE	00779	DRAWING NO	C-1776302
3 PLC ± -		WEIGHT			RESTRICTED TO		
4 PLC ± -		CUSTOMER DRAWING			-		
ANGLES ± 2'		SCALE	NTS		SHEET	1 OF 1	
MATERIAL	FINISH	-			REV	P	