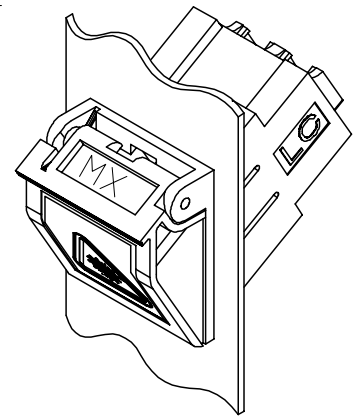
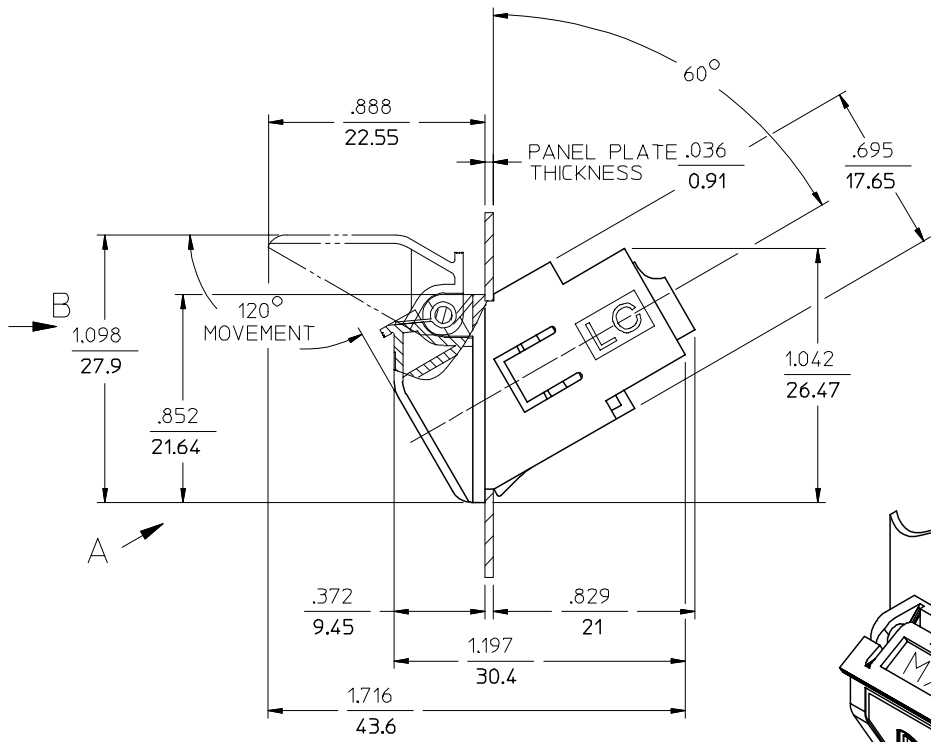
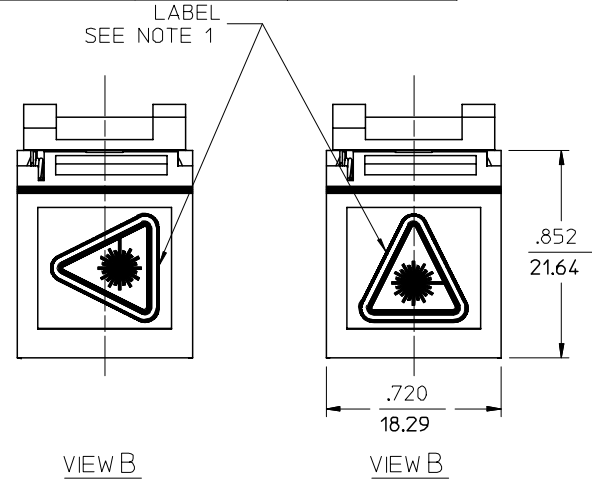
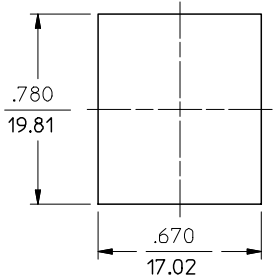


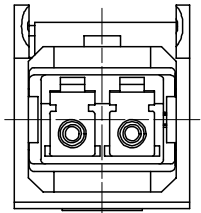
KIT P/N	BEZEL FRAME/DOOR COLOR	DOOR TYPE	SLEEVE MATERIAL
106004-3576	METAL/METAL	NO LOGO	ZIRCONIA
106004-3577			PHOSPHOR BRONZE
106004-3575	METAL/BLACK	MX LOGO	ZIRCONIA
106004-3578	METAL/METAL		PHOSPHOR BRONZE
106004-3579			PHOSPHOR BRONZE



ISOMETRIC VIEW



RECOMMENDED MOUNTING HOLE



VIEW A  
DOOR REMOVED  
ROTATED 30° CW

NOTES:  
1. LABEL TO BE INSTALLED BY CUSTOMER.

ENTER DESCRIPTION	QUALITY SYMBOLS	GENERAL TOLERANCES (UNLESS SPECIFIED)		DIMENSION STYLE	SCALE	DESIGN UNITS	THIRD ANGLE PROJECTION
		mm	INCH	IN/MM	2:1	INCH	
EC NO: MF2006-0262 DRWNR: RPACIFIC1 CHKD: 2005/12/01 APPR: IGUMIN 2005/12/01	DESCRIPTION A	4 PLACES	± ---	± ---	DRAWN BY	DATE	TITLE
		3 PLACES	± ---	± ---	RPACIFIC1	2005/10/20	
		2 PLACES	± ---	± ---	CHECKED BY	DATE	
		1 PLACE	± ---	± ---	APPROVED BY	DATE	MOLEX INCORPORATED
		ANGULAR ±1/2°		MATERIAL NO.	DOCUMENT NO.	SHEET NO.	
DRAFT WHERE APPLICABLE MUST REMAIN WITHIN DIMENSIONS		SEE TABLE		SD-106004-357X		1 OF 1	
		SIZE B		THIS DRAWING CONTAINS INFORMATION THAT IS PROPRIETARY TO MOLEX INCORPORATED AND SHOULD NOT BE USED WITHOUT WRITTEN PERMISSION			