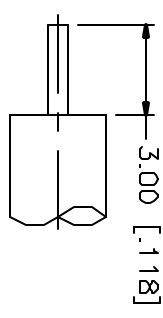
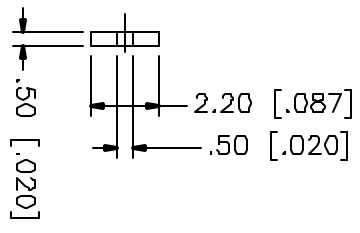
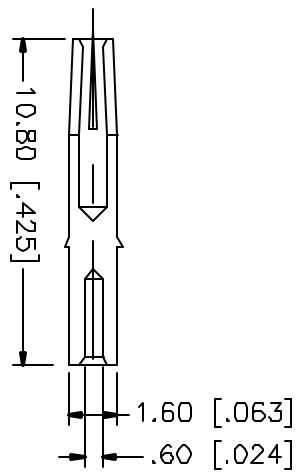
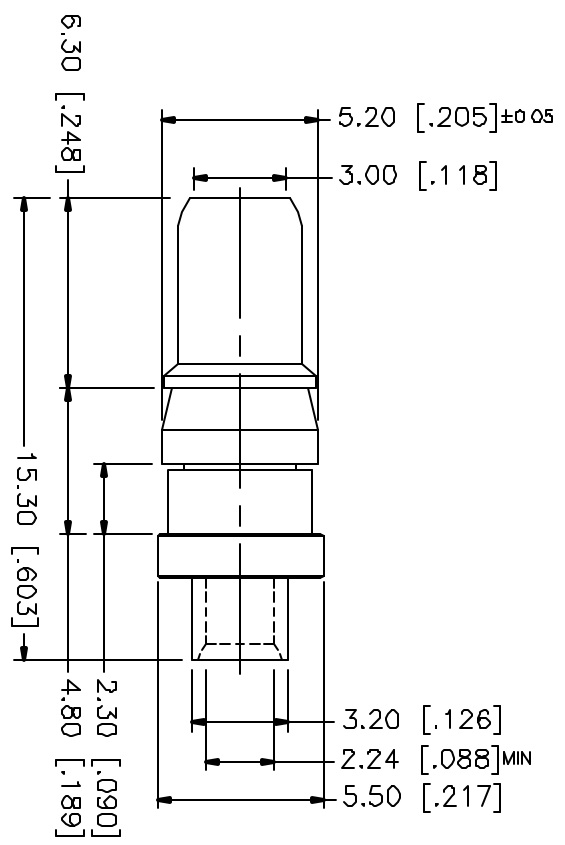


REV.	DATE	DESCRIPTION
NC	08/09/01	INITIAL RELEASE



RECOMMENDED
CABLE STRIPPING DIM'S



DESCRIPTION	MATERIAL	FINISH	UNLESS OTHERWISE SPECIFIED DIMENSIONS ARE IN MILLIMETERS DIMENSIONS IN [] ARE IN INCHES FOR CUSTOMER REFERENCE ONLY	APPROVALS	DATE	TITLE	SCALE	PART NO.	DWG. NO	SHEET	REV		
1 BODY	BRASS	GOLD	UNLESS OTHERWISE SPECIFIED DIMENSIONS ARE IN MILLIMETERS DIMENSIONS IN [] ARE IN INCHES FOR CUSTOMER REFERENCE ONLY UNLESS OTHERWISE SPECIFIED TOLERANCES FOR MILLIMETERS ARE: 0.5-6 = ± 0.2 6-30 = ± 0.4 30-120 = ± 0.6 120-315 = ± 1 315-1000 = ± 1.6 1000-2000 = ± 2.4	DRAWN	08/09/01	Connex Connector Corporation D-SUB CRIMP PLUG (RG .085", .086" SEMI RIGID CABLE)	A	99001	212108.DWG	1	NC		
2 INSULATOR	TEFLON	NATURAL		REVISED									
3 CONTACT PIN	PHOS. BRONZE	GOLD		ESTD									
4													
5													
6													
7													
8													

UNLESS OTHERWISE SPECIFIED DIMENSIONS ARE IN MILLIMETERS DIMENSIONS IN [] ARE IN INCHES FOR CUSTOMER REFERENCE ONLY

APPROVALS	DATE
GRS	08/09/01

Connex
 Connector Corporation
 D-SUB CRIMP PLUG
 (RG .085", .086" SEMI RIGID CABLE)

SIZE: A
 FSCN NO: 99001
 DWG. NO: 212108.DWG
 SCALE: NA
 PART NO.: 212108
 SHEET: 1 OF 1