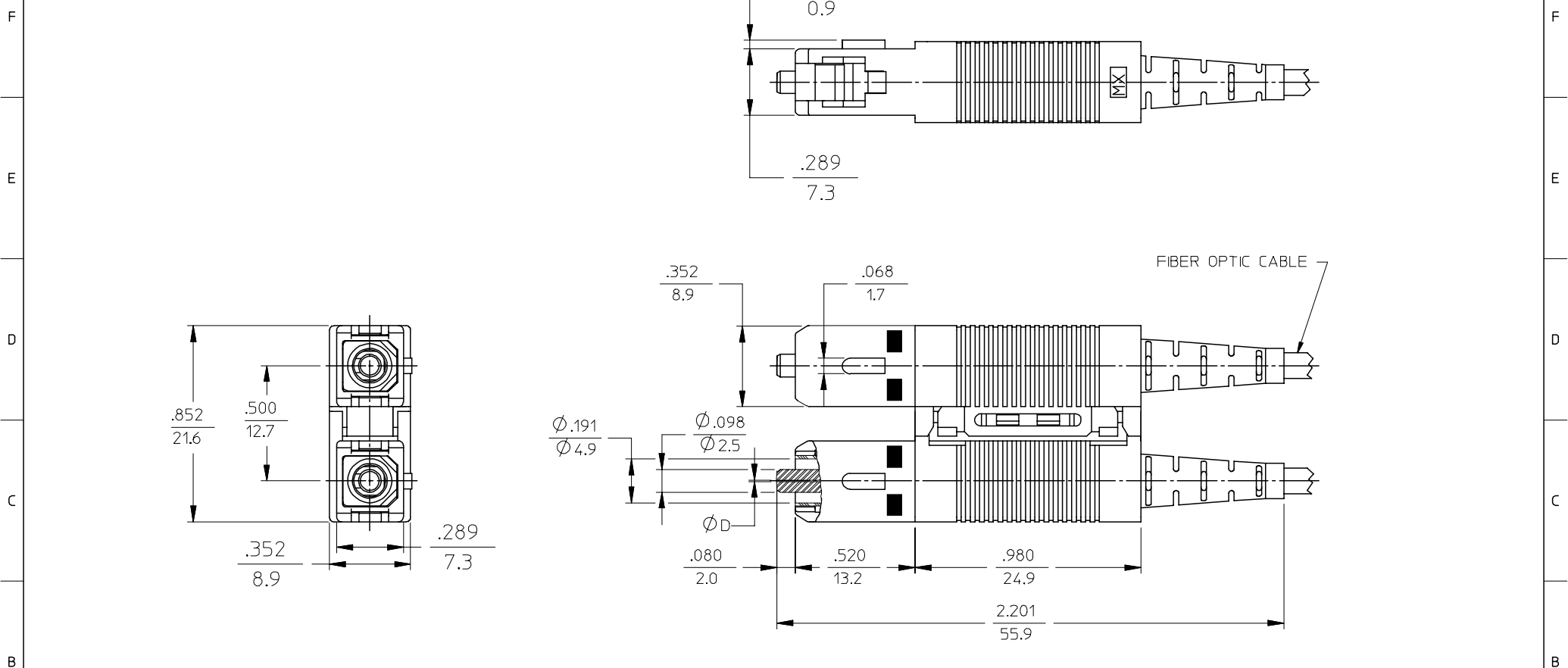


10 9 8 7 6 5 4 3 2 1



| | | | | | | | | |
|---|---|---|--------------------------------|--------------------------|--|--------------|----------------------|------------------------|
| ENTER DESCRIPTION EC NO: MF2006-0318 DRWNL: SADAUSKIENE 2005/11/17 CHKD: 2005/11/18 APPR: I.GUMIN 2005/11/18 REV A | QUALITY SYMBOLS $\nabla = 0$ $\nabla = 0$ | GENERAL TOLERANCES (UNLESS SPECIFIED) | | DIMENSION STYLE IN/MM | | SCALE 4:1 | DESIGN UNITS INCH | THIRD ANGLE PROJECTION |
| | | 4 PLACES ± --- ± --- | DRAWN BY RPACIFIC1 | DATE 2005/10/04 | TITLE SC FIBER CHANNEL DUPLEX CONNECTOR | | | |
| | | 3 PLACES ± --- ± --- | CHECKED BY DATE | | | | | |
| | | 2 PLACES ± --- ± --- | APPROVED BY I.GUMIN | DATE 2005/11/15 | MOLEX INCORPORATED | | | |
| 1 PLACE ± --- ± --- | MATERIAL NO. SEE TABLE | | DOCUMENT NO. SD-106034-XXX0 | SHEET NO. 1 OF 02 | | | | |
| DRAFT WHERE APPLICABLE MUST REMAIN WITHIN DIMENSIONS | | THIS DRAWING CONTAINS INFORMATION THAT IS PROPRIETARY TO MOLEX INCORPORATED AND SHOULD NOT BE USED WITHOUT WRITTEN PERMISSION | | | | | | |

1b_frame_B_P_ME_T Rev. D 2004/04/02 9 8 7 6 5 4 3 2 1

| | | | | | | | | | | | | | | | | |
|---|---------------|-------------------------|-------------------------|------------|----------------|-----------------------------|----------------|----------------|---|---|---|---|---|---|---|--|
| | 13 | 12 | 11 | 10 | 9 | 8 | 7 | 6 | 5 | 4 | 3 | 2 | 1 | | | |
| | CONNECTOR P/N | ϕD Hm | HOUSING COLOR | BOOT COLOR | CONNECTOR TYPE | FIBER OPTIC CABLE SIZE (mm) | | | | | | | | | | |
| J | 106034-0000 | 127 ± 0.0 | BEIGE | BEIGE | MULTIMODE | 3.0 | | | | | | | | J | | |
| | 106034-0900 | | | | | 2.0&1.6 DUPLEX | | | | | | | | | | |
| | 106034-0100 | | | | | 1.6 SMPLEX | | | | | | | | | | |
| | 106034-0070 | | | | | 3.0 | | | | | | | | | | |
| I | 106034-0970 | | BLACK | BLACK | | MULTIMODE | 2.0&1.6 DUPLEX | | | | | | | | I | |
| | 106034-0170 | | | | | | 1.6 SMPLEX | | | | | | | | | |
| | 106034-0080 | | | | | | 3.0 | | | | | | | | | |
| | 106034-0980 | | | | | | 2.0&1.6 DUPLEX | | | | | | | | | |
| | 106034-0180 | RED | RED | MULTIMODE | 1.6 SMPLEX | | | | | | | | | | | |
| | 106034-2000 | | | | 3.0 | | | | | | | | | | | |
| | 106034-2900 | | | | 2.0&1.6 DUPLEX | | | | | | | | | | | |
| | 106034-2100 | | | | 1.6 SMPLEX | | | | | | | | | | | |
| H | 106034-3000 | 125.5 ± 1.0 -0.0 | BLUE | | BLUE | SINGLE MODE | 3.0 | | | | | | | | H | |
| | 106034-3900 | | | | | | 2.0&1.6 DUPLEX | | | | | | | | | |
| | 106034-3910 | | | | | | 1.6 SMPLEX | | | | | | | | | |
| | 106034-3000 | | | | | | 3.0 | | | | | | | | | |
| | 106034-3900 | | BEIGE | BEIGE | MULTIMODE | | 2.0&1.6 DUPLEX | | | | | | | | | |
| | 106034-3910 | | | | | | 1.6 SMPLEX | | | | | | | | | |
| | 106034-3920 | | | | | | 3.0 | | | | | | | | | |
| | 106034-3100 | | | | | | 2.0&1.6 DUPLEX | | | | | | | | | |
| G | 106034-3070 | 128 ± 2.0 -0.0 | BLACK | BLACK | | MULTIMODE | 1.6 SMPLEX | | | | | | | | G | |
| | 106034-3970 | | | | | | 3.0 | | | | | | | | | |
| | 106034-3170 | | | | | | 2.0&1.6 DUPLEX | | | | | | | | | |
| | 106034-3080 | | | | | | 1.6 SMPLEX | | | | | | | | | |
| | 106034-3980 | | RED | RED | MULTIMODE | | 3.0 | | | | | | | | | |
| | 106034-3980 | | | | | | 2.0&1.6 DUPLEX | | | | | | | | | |
| | 106034-3180 | | | | | | 1.6 SMPLEX | | | | | | | | | |
| | 106034-5000 | | | | | | 3.0 | | | | | | | | | |
| F | 106034-5900 | 126 ± 1.0 -0.0 | BLUE | BLUE | | SINGLE MODE | 2.0&1.6 DUPLEX | | | | | | | | F | |
| | 106034-5100 | | | | | | 1.6 SMPLEX | | | | | | | | | |
| | 106034-6000 | | | | | | 3.0 | | | | | | | | | |
| | 106034-6900 | | | | | | 2.0&1.6 DUPLEX | | | | | | | | | |
| | 106034-6100 | | 125.5 ± 0.5 -0.0 | | | | SINGLE MODE | 1.6 SMPLEX | | | | | | | | |
| | | | | | | | | 3.0 | | | | | | | | |
| | | | | | | | | 2.0&1.6 DUPLEX | | | | | | | | |
| | | | | | | | | 1.6 SMPLEX | | | | | | | | |
| E | | | | | | | | | | | | | E | | | |
| D | | | | | | | | | | | | | D | | | |
| C | | | | | | | | | | | | | C | | | |
| B | | | | | | | | | | | | | B | | | |
| A | | | | | | | | | | | | | A | | | |

| | | | | | | | | | |
|--|--------------------------------|--|---------|---|--------------------|--|----------------------|------------------------|--|
| ENTER DESCRIPTION FC NO: MF2006-0318 DRAWN: SADAUSKI/ENE 2005/11/17 CHKD: 2005/11/18 APPR: I.GUMIN 2005/11/18 REVISIONS DESCRIPTION REVISIONS DESCRIPTION | QUALITY SYMBOLS | GENERAL TOLERANCES (UNLESS SPECIFIED) | | DIMENSION STYLE IN/MM | | SCALE 4:1 | DESIGN UNITS INCH | THIRD ANGLE PROJECTION | |
| | | 4 PLACES ± --- ± --- | mm INCH | DRAWN BY RPACIFICI | DATE 2005/10/04 | TITLE SC FIBER CHANNEL DUPLEX CONNECTOR | | | |
| | | 3 PLACES ± --- ± --- | | CHECKED BY | DATE | | | | |
| | | 2 PLACES ± --- ± --- | | APPROVED BY I.GUMIN | | DATE 2005/11/15 | MOLEX INCORPORATED | | |
| 1 PLACE ± --- ± --- | | ANGULAR ±1/2° | | MATERIAL NO. SEE TABLE | | DOCUMENT NO. SD-106034-XXX0 | | SHEET NO. 2 OF 02 | |
| DRAFT WHERE APPLICABLE MUST REMAIN WITHIN DIMENSIONS | | SIZE | | THIS DRAWING CONTAINS INFORMATION THAT IS PROPRIETARY TO MOLEX INCORPORATED AND SHOULD NOT BE USED WITHOUT WRITTEN PERMISSION | | | | | |