

Technical specification:

Rated voltage: 8pos
IEC 61076-2-101 30 V

Current rating: 2 A at 40°C
IEC 61076-2-101

Insulation resistance: >=100 MΩ
IEC 60512

Pollution degree: 3/2
IEC 60664-1

Degree of protection: IP 67, in mated condition
IEC 60529

Temperature range: -30°C ... +80°C
IEC 60664-1

Mating cycles: >=100
IEC 60512-9a

Materials:

Contact: CuZn

Contact plating: Nickel, gold plated

Contact carrier: TPU GF, UL 94

Sealing: FPM

Coupling nut/
screw: GD-Zn, nickel plated

Moulding body: TPU, UL 94, grey

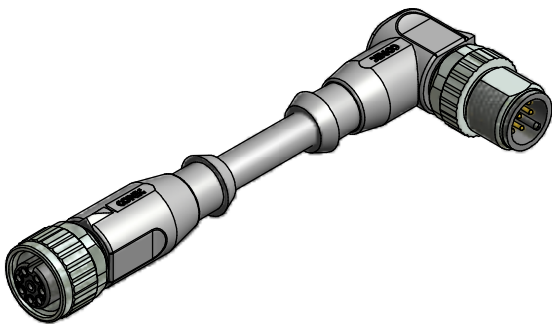
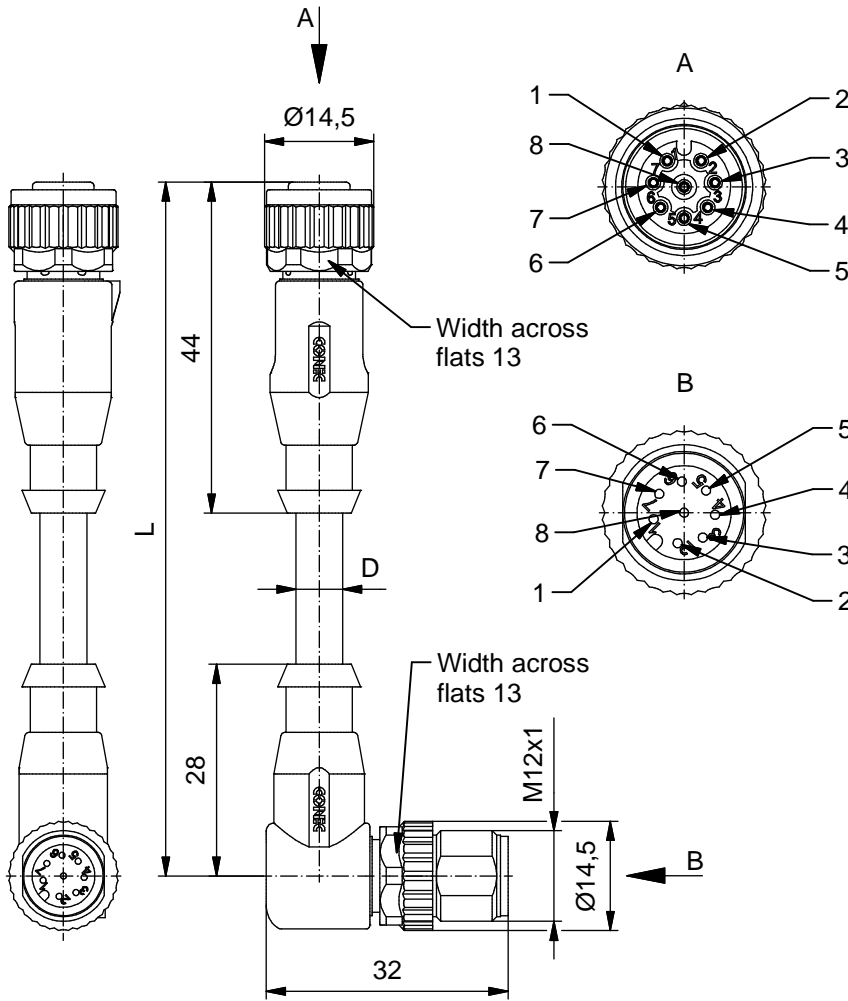
Installation specification:

Recommended torque: 0,6 Nm

Conec installation tool: Torque wrench: 36-000200
Insert across flats 13: 36-000220

Contact assignment:

- 1) white — 5) grey —
- 2) brown — 6) pink —
- 3) green — 7) blue —
- 4) yellow — 8) red —



Part no:	Description:	Length L:	Cable:
43-14637	SAL - 12 - RK8 - RSW8 - 0,3 / A1 / A1090	0,3m	PVC, grey, 8x0,25mm ² Cable: 781-A12800
43-14638	SAL - 12 - RK8 - RSW8 - 0,6 / A1 / A1090	0,6m	
43-14639	SAL - 12 - RK8 - RSW8 - 1,5 / A1 / A1090	1,5m	
43-14640	SAL - 12 - RK8 - RSW8 - 3,0 / A1 / A1090	3m	
43-xxxxx	SAL - 12 - RK8 - RSW8 - ... / A1 / A1090	x	

D see data sheet cable

DO NOT ALTER CAD DRAWING BY HAND	Directive 2002/95/EC RoHS compliant	dim. in mm		title: Connecting cable M12x1, female connector axial - male connector angled
		tolerance of cable: L ≤ 4m: L + 40mm L > 4m: L + 1%		
		drawn	17.01.11 Franz	
		appd.	17.01.11 Mankopf	
THIS DRAWING MAY NOT BE COPIED OR REPRODUCED IN ANY WAY, AND MAY NOT BE PASSED ON TO A THIRD PARTY WITHOUT WRITTEN PERMISSION. OWNERSHIP AND COPYRIGHT OF CONEC GmbH				dwg no: 43K1A1285
		part no: see table		