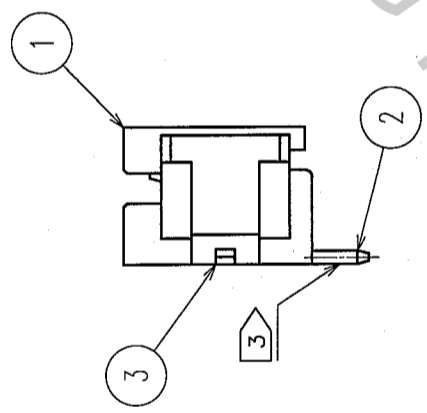


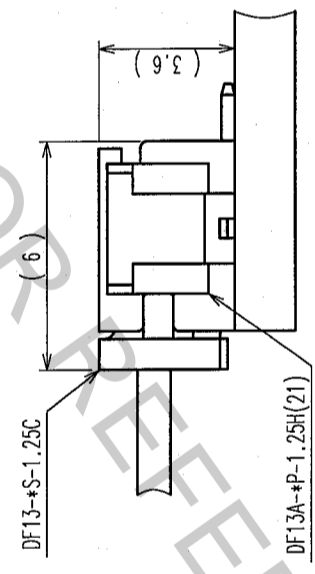
COUNT	DESCRIPTION OF REVISIONS	BY	CHKD	DATE	COUNT	DESCRIPTION OF REVISIONS	BY	CHKD	DATE
△					△				
△					△				
△					△				

CODE No.	PARTS No.	NUMBER OF CONTACT	A	B	C	D	E
CL536-0301-8-21	DF13A-2P-1.25H(21)	2	1.25	3.15	4.15	7.15	5.65
CL536-0302-0-21	DF13A-3P-1.25H(21)	3	2.50	4.40	5.40	8.40	6.90
CL536-0303-3-21	DF13A-4P-1.25H(21)	4	3.75	5.65	6.65	9.65	8.15
CL536-0304-6-21	DF13A-5P-1.25H(21)	5	5.00	6.90	7.90	10.90	9.40
CL536-0305-9-21	DF13A-6P-1.25H(21)	6	6.25	8.15	9.15	12.15	10.65
CL536-0306-1-21	DF13A-7P-1.25H(21)	7	7.50	9.40	10.40	13.40	11.90
CL536-0307-4-21	DF13A-8P-1.25H(21)	8	8.75	10.65	11.65	14.65	13.15
CL536-0308-7-21	DF13A-9P-1.25H(21)	9	10.00	11.90	12.90	15.90	14.40
CL536-0309-0-21	DF13A-10P-1.25H(21)	10	11.25	13.15	14.15	17.15	15.65
CL536-0310-9-21	DF13A-11P-1.25H(21)	11	12.50	14.40	15.40	18.40	16.90
CL536-0311-1-21	DF13A-12P-1.25H(21)	12	13.75	15.65	16.65	19.65	18.15
CL536-0313-7-21	DF13A-14P-1.25H(21)	14	16.25	18.15	19.15	22.15	20.65
CL536-0314-0-21	DF13A-15P-1.25H(21)	15	17.50	19.40	20.40	23.40	21.90

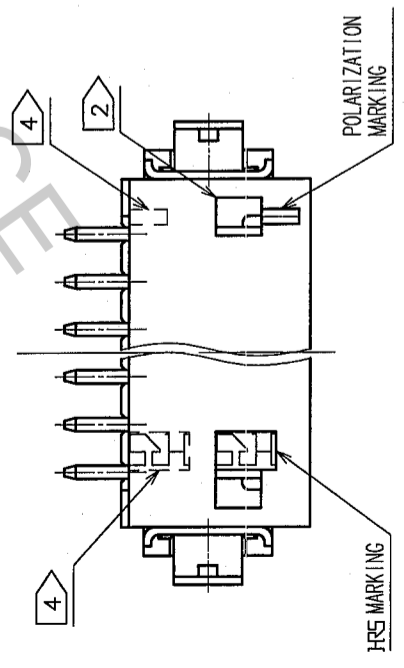
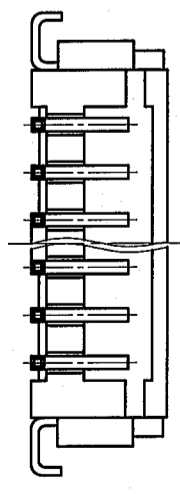
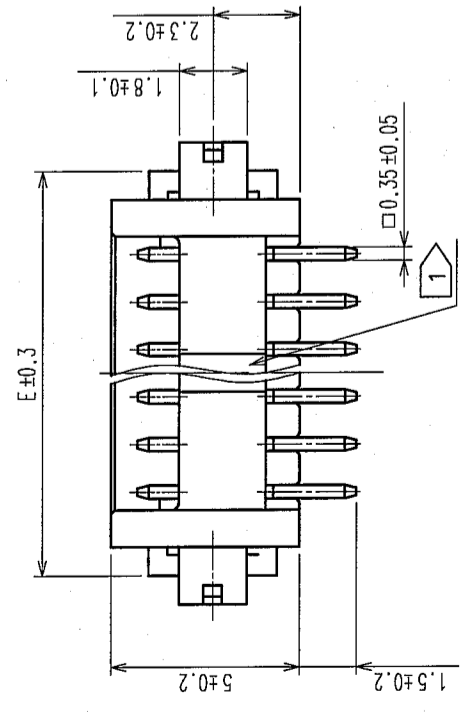
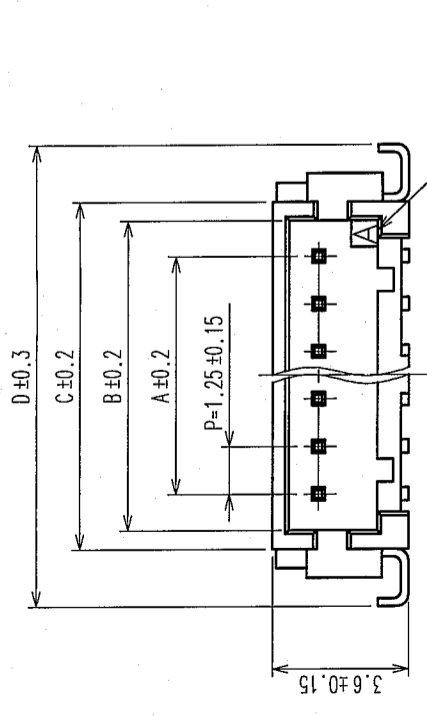
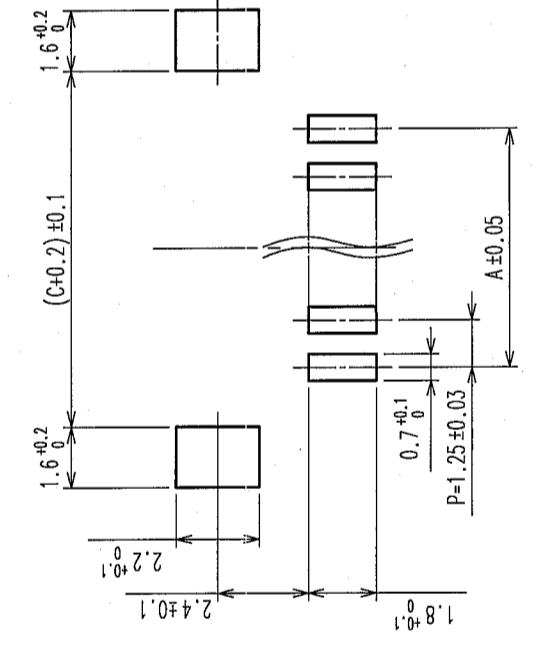
NOTE 1: THERE SHALL BE STANDOFF MORE THAN FIVE CONTACTS.  
 2: WHEN THIS CONNECTOR HAS TWO OR THREE CONTACTS, THE LOCK SHALL BE SET AT THE CENTER OF HOUSING. IF MORE THAN FOUR, THE TWO LOCKS SHALL BE SET AS SHOWN ON THIS DRAWING.  
 3: FLATNESS OF LEAD WITH REINFORCED METAL FITTINGS SHALL BE WITHIN 0.1mm.  
 4: WHEN THIS CONNECTOR HAS MORE THAN SEVEN CONTACTS, JRS MARKING AND POLARIZATION MARKING SHIFT TO THE PLACE INDICATING DOTTED LINES.



APPLICATION DRAWING



RECOMMENDED PATTERN



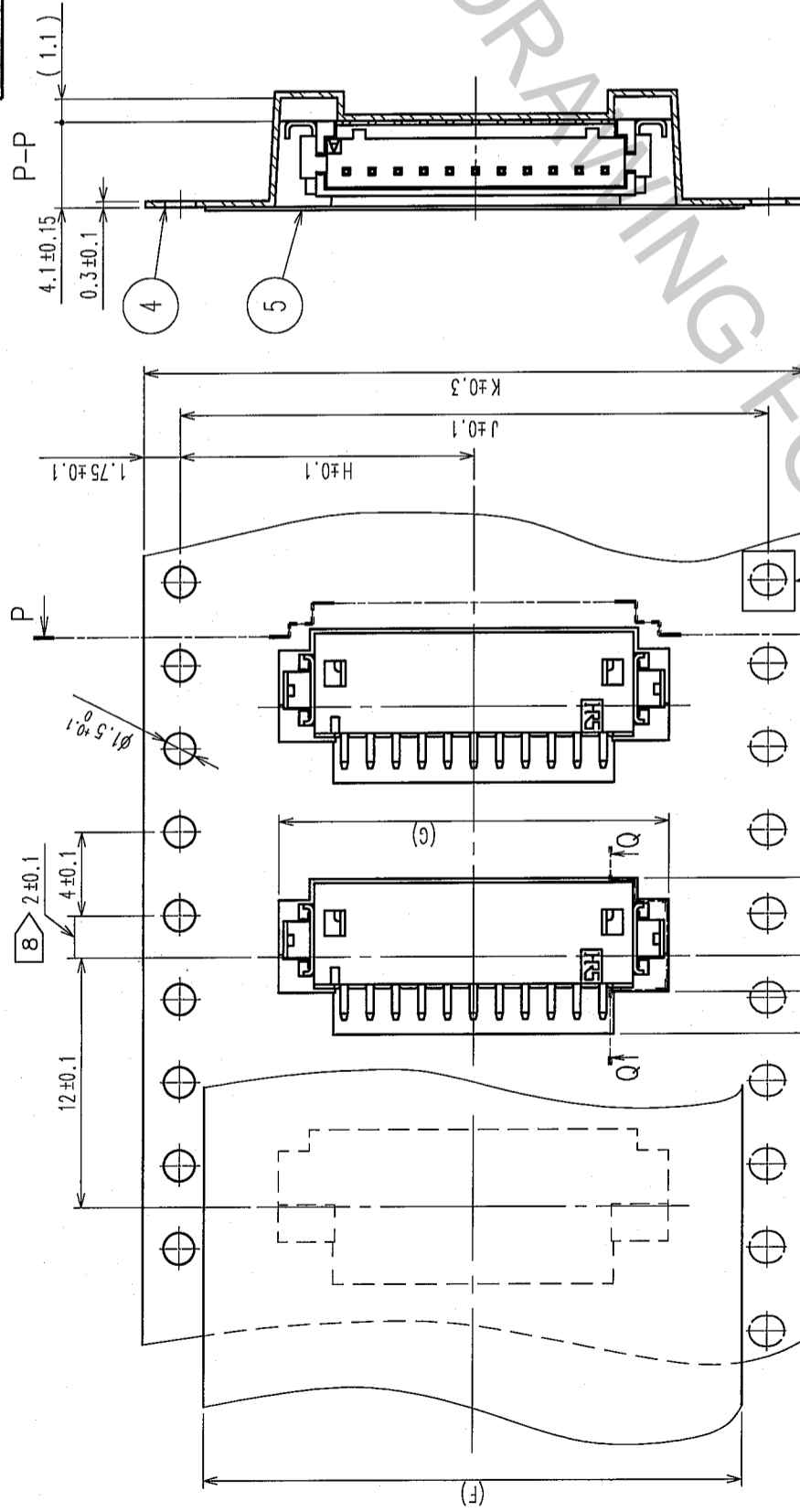
TO	

DRAWING NO. EDC3-162444-04		PART NO. DF13A-*P-1.25H(21)	
SCALE 5 : 1		CODE NO. CL536-	
UNITS ITTM		FORM NO. 229	

No.	MATERIAL	FINISH, REMARKS	No.	MATERIAL	FINISH, REMARKS
3	PHOSPHOR BRONZE	SURFACE : TIN PLATED 1μ mm min.	5	POLYESTER	COVER TAPE, CLEAR
2	BRASS	SURFACE : TIN PLATED 1μ mm min.	4	PS	EMBOSSED CARRIER TAPE, CLEAR
1	POLYAMIDE	BEIGE (UL94V-0)			

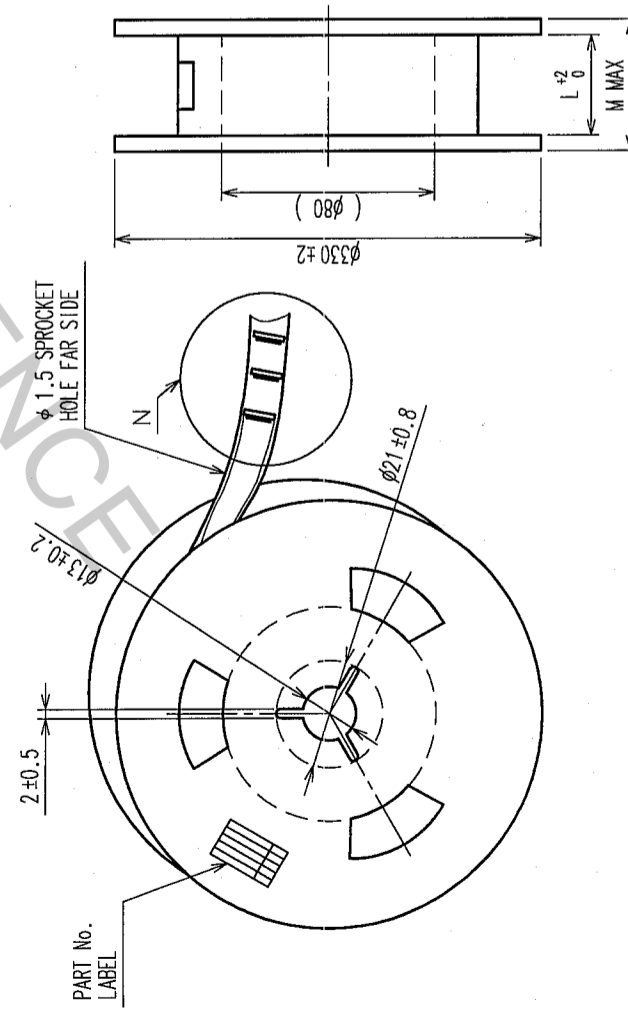
CODE NO. (OLD)	DRAWN	DESIGNED	CHECKED	APPROVED	RELEASED
	A. Miura '05.10.24	T. Kumagawa '05.10.27	H. Umehara '05.10.31	J. Oka '05.10.31	

COUNT	DESCRIPTION OF REVISIONS	BY	CHKD	DATE	COUNT	DESCRIPTION OF REVISIONS	BY	CHKD	DATE



↑  
DIRECTION OF UNREELING

STYLE AND DIMENSION OF REEL



9 > DETAIL OF PART NO. LABEL

DATE OF MANUFACTURED	*** ** *
CODE NO.	*** ** *
PART NO.	DF13A-*P-1.25H(21)
QUANTITY	1000 KO
SUPPLIER	HIROSE ELECTRIC CO.,LTD.

- NOTE
- 5 : 1 REEL : 1000 CONNECTORS.
  - 6 : AT THE BEGINNING OF THE REEL, 30 COMPONENTS SHALL BE EMPTY.  
AT THE END OF THE REEL, 20 COMPONENTS SHALL BE EMPTY
  - 7 : WHEN THE TAPE WIDTH IS 32 OR 44mm, SPROCKET HOLLS SHALL BE SET ON BOTH SIDES OF REEL AS SHOWN ON THIS DRAWING.
  - 8 : WHEN THE TAPE WIDTH IS 44mm OR OVER, THE TOLERANCE SHALL BE  $2 \pm 0.15$ .
  - 9 : DETAIL OF PART NO. LABEL IS WRITTEN IN JAPANESE.
  - 10 : REEL FORCE BETWEEN EMBOSSED CARRIER TAPE AND COVER TAPE IS  $0.1 \sim 0.7N$ .

CODE No.	PART No.	F	G	H	J	K	L	M
CL536-0301-8-21	DF13A- 2P-1.25H(21)	13.5	7.60	7.5	16	16.4	22.4	
CL536-0302-0-21	DF13A- 3P-1.25H(21)	13.5	8.85	7.5	16	16.4	22.4	
CL536-0303-3-21	DF13A- 4P-1.25H(21)	21.5	10.1	11.5	24	24.4	30.4	
CL536-0304-6-21	DF13A- 5P-1.25H(21)	21.5	11.35	11.5	24	24.4	30.4	
CL536-0305-9-21	DF13A- 6P-1.25H(21)	21.5	12.6	11.5	24	24.4	30.4	
CL536-0306-1-21	DF13A- 7P-1.25H(21)	21.5	13.85	11.5	24	24.4	30.4	
CL536-0307-4-21	DF13A- 8P-1.25H(21)	21.5	15.1	11.5	24	24.4	30.4	
CL536-0308-7-21	DF13A- 9P-1.25H(21)	21.5	16.35	11.5	24	24.4	30.4	
CL536-0309-0-21	DF13A-10P-1.25H(21)	21.5	17.6	11.5	24	24.4	30.4	
CL536-0310-9-21	DF13A-11P-1.25H(21)	26.0	18.85	14.2	28.4	32.4	38.4	
CL536-0311-1-21	DF13A-12P-1.25H(21)	26.0	20.1	14.2	28.4	32.4	38.4	
CL536-0313-7-21	DF13A-14P-1.25H(21)	26.0	22.6	14.2	28.4	32.4	38.4	
CL536-0314-0-21	DF13A-15P-1.25H(21)	37.0	23.85	20.2	40.4	44.4	50.4	

CODE NO. (OLD)	CL	DRAWN	A. Miura	DESIGNED	T. Rungyongwong	CHECKED	H. Tamahara	APPROVED	J. Ono	RELEASED
SCALE	FREE	DRAWING NO.	EDC3-162444-04							
UNITS	mm									

TO

CL536-

HIROSE ELECTRIC CO., LTD.

HRS

EDC3-162444-04

DF13A-\*P-1.25H(21)

CL536-

2

FORM NO. 229

8

7

6

5

4

3

2

1