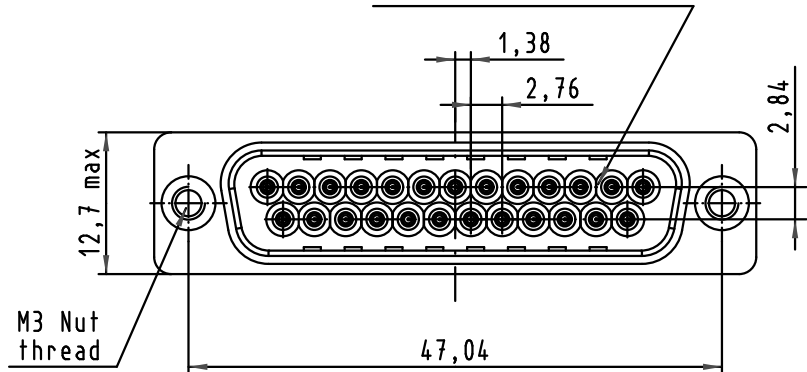
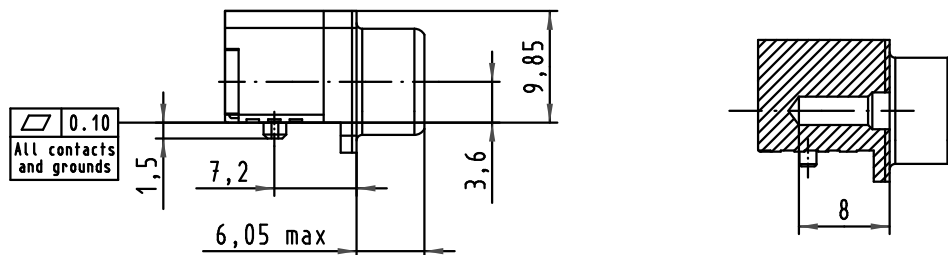


Mating face according to CECC 75301-802



PCB Layout, component side (thickness 1,6mm min.)



Max. Temperature: 260°C during 10 seconds

09553663815.741	1	M3	Black Insulator	Reel Packaging (160 connectors) see page 2/2
09553666815.741	2			
09553667815.741	3			
Part number	PL	Thread	Index designation	

				Dot.	Name
				Detail.	30Jun2010 ED
				Insp.	
				Stand.	
EC01953	30Jun2010	ED	HARTING EURL F-95972 Paris		
Mod.	Dot.	Name			



All Dim. in mm
Orig. Size DIN A 4



D-SUB SMT
Low Profile Male 25p
with die casted grounds
and M3 nuts

TB 09 55 366 x815

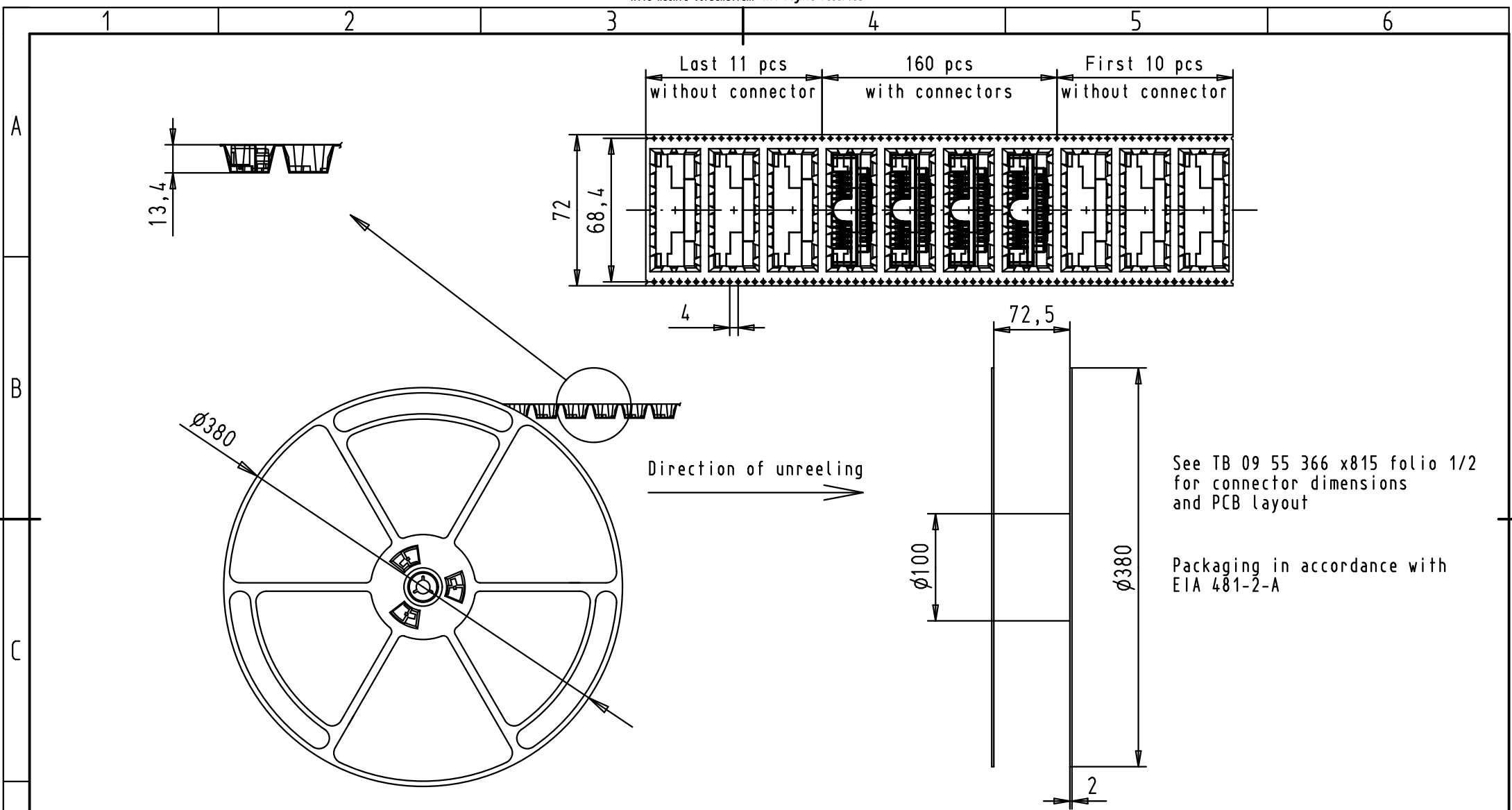
Sub.

Maßstab/
Scale

1,5:1

Blatt/ Page

1/2



See TB 09 55 366 x815 folio 1/2 for connector dimensions and PCB layout

Packaging in accordance with EIA 481-2-A

				Dot.	Name
				Detail.	30Jun2010 ED
				Insp.	
				Stand.	



D-SUB SMT
Low Profile Male 25p
with die casted grounds
and M3 nuts

Maßstab/
Scale

09553663815.741	1	M3	Black Insulator	Reel Packaging (160 connectors)
09553666815.741	2			
09553667815.741	3			
Part number	PL	Thread	Index designation	

EC01953	30Jun2010	ED
Mod.	Dot.	Name

HARTING EURL
F-95972 Paris



TB 09 55 366 x815

Blatt/ Page
2 / 2