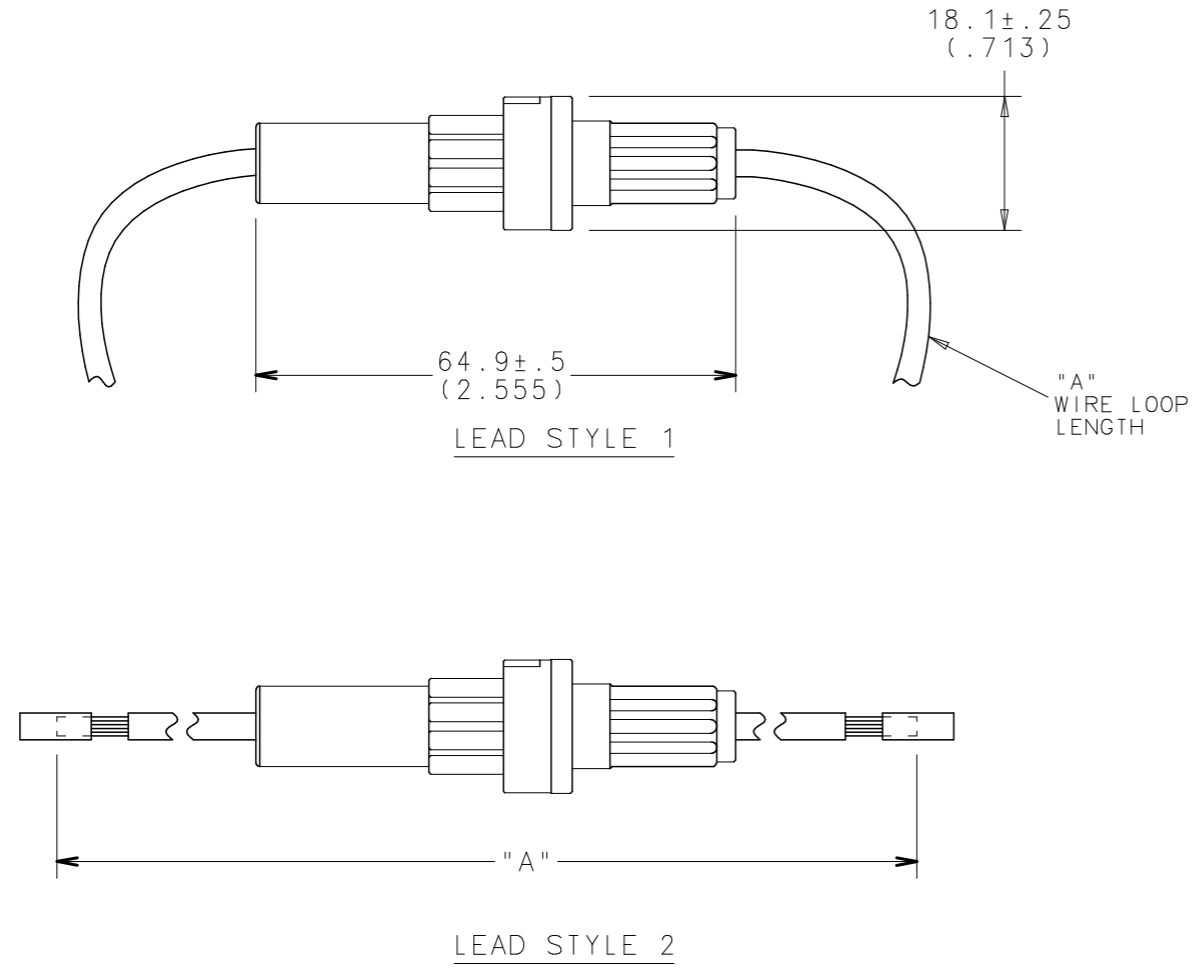


PART NUMBER	FUSEHOLDER	FUSE	WIRE GA. / COLOR	LEAD STYLE	"A"
0FNY0001ZXJ-F14	0FNY0001ZXJ	0307014.M	#14 BLACK	1	203.2 (8.0)
0FNY0001ZXJ-F20	0FNY0001ZXJ	0307020.M	#14 BLACK	1	203.2 (8.0)
0FNY0002ZXJ-F30	0FNY0002ZXJ	0311030.M	#12 ORANGE	2	266.7 (10.5)



- NOTES:
1. MAX. OPERATING TEMPERATURE: 80°C.
  2. CRIMP: MUST MEET USCAR 21 STANDARD.
  3. FUSE HOLDER IS SHIPPED WITH FUSE INSTALLED.

UNLESS OTHERWISE SPECIFIED, DIMENSIONS DO NOT INCLUDE PLATING.  
 DENOTES CRITICAL CHARACTERISTICS.  
 DENOTES CPK DIMENSIONS, -MINIMUM CPK VALUE  
 DENOTES A CHARACTERISTIC THAT PROVIDES AN INDICATION OF PROCESS PERFORMANCE. PROCEDURE FOR MEASUREMENT AND TRACKING TO BE DEFINED IN ATTLEFUSE INSPECTION INSTRUCTIONS.  
 DENOTES CP DIMENSIONS, -MINIMUM CP VALUE MUST BE WITHIN THE DIMENSIONAL LIMITATIONS SHOWN ON DRAWING AND INITIALLY LOCATED TO ALLOW FOR MAXIMUM TOOL LIFE.

COPIES TO		MATERIAL SPEC			FINISH		
1	9	DRW	DHM	DATE	SCALE	DATE	SCALE
2	10	CHK		DATE	1=1	DATE	1=1
3	12			DATE	SUPER DRW		SUPER DRW
4	13				RAW STK WT		RAW STK WT
5	14						
6	15						
7	16						
8	17						
	18						
	19						
	20						
	21						
	22						
	23						
	24						
	25						
	26						
	27						
	28						
	29						
	30						

TOLERANCE UNLESS OTHERWISE SPECIFIED  
 TWO PLACE DEC ±.01 FRACTION ±  
 THREE PLACE DEC ±.005 ANGULAR ±1°

DESIGN: [blank]  
 CHECKED: [blank]  
 APPROVED: [blank]

DATE: 09/09/08

SCALE: 1=1

SHEET: [blank]

TITLE: FUSEHOLDER, INLINE (WITH FUSE)

LTR	REVISION	CHK	APD
A	000490ER-RELEASED 9/05/08		

Littlefuse<sup>®</sup>  
 DES PLAINES, ILLINOIS 60016

REVISION: A

DRWG. NO. SERIES OUTLINE: 0FNY0000ZXJ-F

