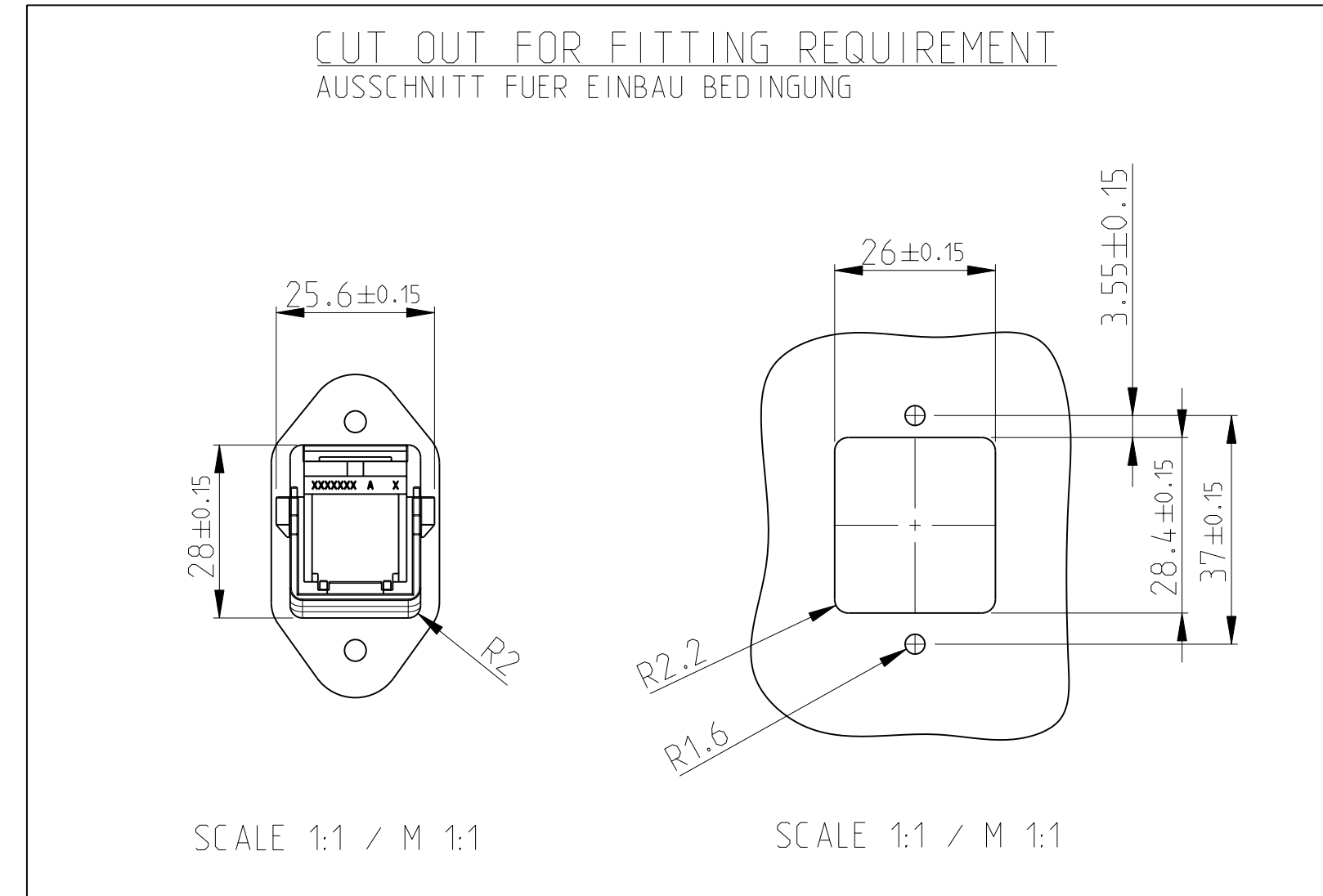
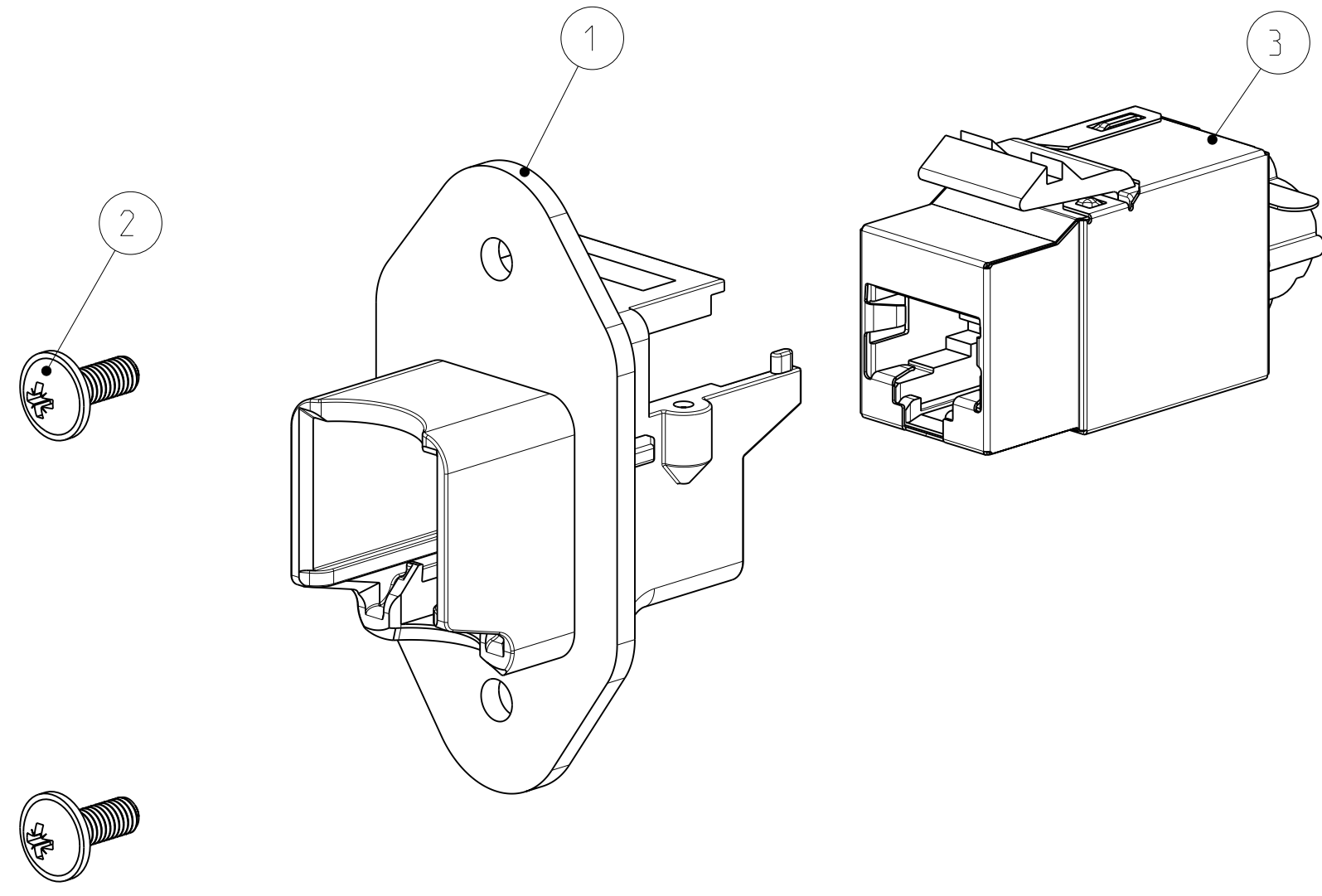


THIS DRAWING IS UNPUBLISHED. RELEASED FOR PUBLICATION 2008
 © COPYRIGHT 2008 BY TYCO ELECTRONICS CORPORATION. ALL RIGHTS RESERVED.

LOC	DIST	REVISIONS			
P	LTR	DESCRIPTION	DATE	DWN	APVD
A1		NEW DRAWING PUBLISHED	04FEB2008	N.T	R.K
A2		ECR-08-030470	08DEC2008	N.T.	R.K.
A3		ECR-09-012142	28MAY2009	N.T.	T.K.



SINGLE PACKING: PLASTIC BAG (MINI GRIP) WITH MANUAL.
 MULTI PACKING: 50 PIECE ITEM NO. 1 IN CORD TENSIONING BAG+
 100 PIECE ITEM NO. 2 IN PLASTIC BAG (MINI GRIP) +
 50 PIECE ITEM NO. 3 FOLDING BOX +
 PACKED IN CORRUGATED SHIPPING BOX WITH MANUAL.

EINZELVERPACKUNG: KUNSTSTOFFBEUTEL (MINI GRIP) MIT ANLEITUNG.
 MEHRFACHVERPACKUNG: 50 STUECK POS. 1 IN KORDELZUG BEUTEL +
 100 STUECK POS. 2 IN KUNSTSTOFFBEUTEL (MINI GRIP) +
 50 STUECK POS. 3 IN FALTSCHACHTEL +
 VERPACKT IN VERSANDKARTON MIT ANLEITUNG.

QTY REQD PER ASSY	REV	QTY REQD PER ASSY	REV	DESCRIPTION	ITEM NO
-	-	1	1	MANUAL	4
-	-	50	1	ASSEMBLY SL 110 JACK, SHIELD, CAT 5e	3
-	-	100	2	ROUND HEAD SCREW M3 x 8	2
-	-	50	1	FRAME, RJ45 CONNECTOR IP20	1
-	-	-2	-1	DWG. SIZE	PARTNUMBER
-	-	-	-	REVISION OF EACH ASSY NO. (WHEN BLANK, USE DWG. REVISION)	

THIS DRAWING IS A CONTROLLED DOCUMENT FOR TYCO ELECTRONICS CORPORATION
 IT IS SUBJECT TO CHANGE AND THE CONTROLLING ENGINEERING ORGANIZATION
 SHOULD BE CONTACTED FOR THE LATEST REVISION.

DWN: N.Thirunavukkarasu 24NOV2008
 CHK: W. BOECK 24NOV2008
 APVD: R.KRAEMER 24NOV2008

Tyco Electronics
 Tyco Electronics AMP GmbH
 64625 Bensheim (Germany)

NAME: ASSY, FRAME, RJ45 CONNECTOR IP20, CAT5
 ASSY, RAHMEN RJ45 CONNECTOR IP20, CAT5

SIZE: A2 CAGE CODE: 00779 DRAWING NO: 1987672 RESTRICTED TO: -
 WEIGHT: -

CUSTOMER DRAWING SCALE: 2:1 SHEET 1 OF 1 REV: A3